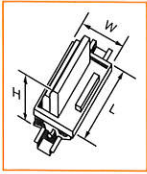
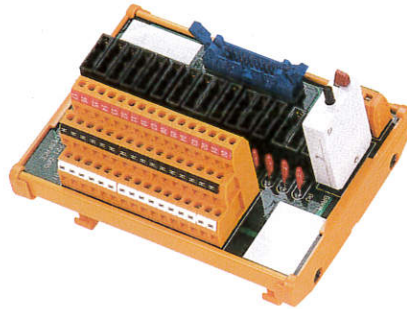


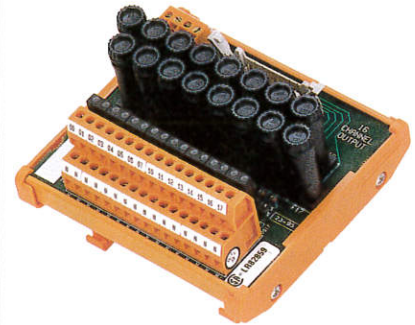
Field Interface Modules



Passive - 3 wire
16 Channel
Output
GMT Fuse and Circuit Breaker**
Allen-Bradley



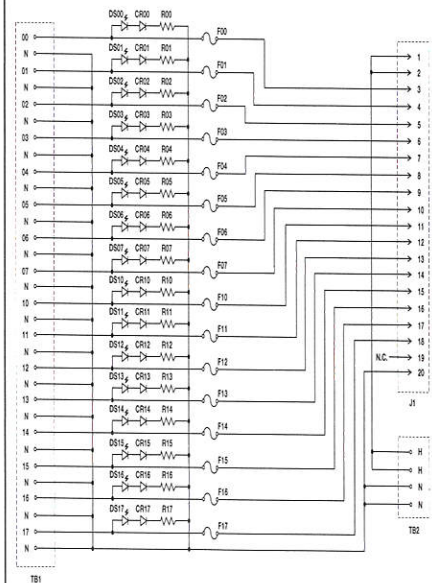
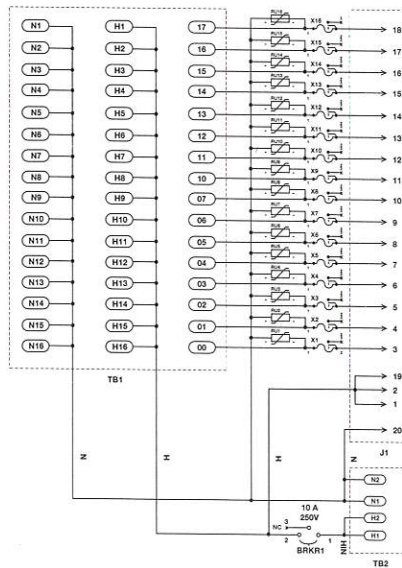
Passive - 2 wire
16 Channel
Output Fused* w/LED
Allen-Bradley



Technical Data

Type	RS RI OAD 16 BKR		RS RI 16 FL 120 W/LD	
Part number	915289	1771-OAD	990877	120 VAC 1771-OAD
			990876	10-60 VDC 1771-OB
			919774	24 VDC 1746-OB16
			919772	24 VDC 1746-OV16
Rated voltage	120 VAC		See Above	
Rated current	2.0 A per channel / 12.0 A per module		3.0 A per channel / 6.0 A per module	
Cable connection	(1) 1 x 20 pin IDC		(1) 1 x 20 pin IDC	
LED Indicators	No		Yes	
Operating Temperature	0°C...+50°C		0°C...+50°C	
Storage Temperature	-20°C...+60°C		-20°C...+60°C	
Dimensions LxWxH mm	146 x 109 x 89		117 x 109 x 76	
Terminal Wire Size	#26...14 AWG		#26...14 AWG	
Terminal Type	Screw Clamp		Screw Clamp	
Approvals				

Wiring Schematics



*5 x 20 mm fuses are required.
 **GMT Series fast acting indicating fuses required
 GMT-1, gray color code rated 1 amp @ 125 VAC.
 Note: Markings vary based on I/O used.