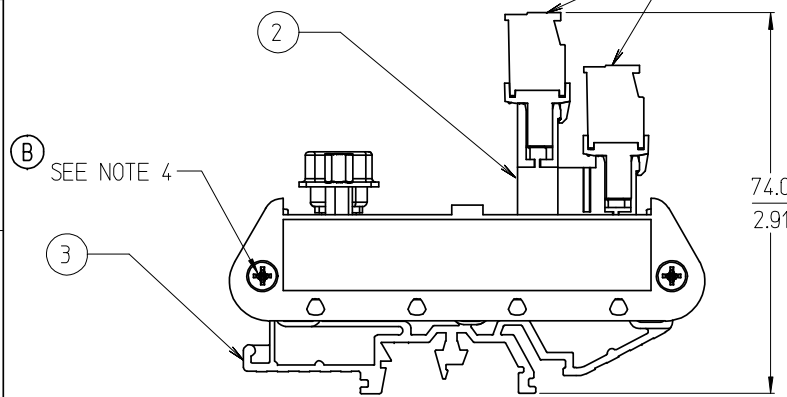


TYPICAL SCHEMATIC

NOTES:

1. MATERIAL: SEE TABLE
2. FINISHES: SEE TABLE
3. MATES WITH: 50 POSITION FEMALE D-SUB
4. END CAP MOUNT SCREW TORQUE: 0.5 N-m (4.4 lbf-in) MINIMUM
0.6 N-m (5.3 lbf-in) MAXIMUM
5. TERMINAL BLOCK SCREW TORQUE: 0.8 N-m (7.1 lbf-in)
6. ASSEMBLY IS ROHS COMPLIANT.



ITEM	QTY.	DESCRIPTION	MATERIAL	FINISH
3	2	DIN RAIL ADAPTOR UNIT	THERMOPLASTIC	BLACK
2	1	MALE D-SUB TO 5.08 HEADER, PC BOARD ASSY.	-	-
1	4	5.08 PLUGGABLE BTS, 13 POSITION	SEE SD-39860-004	BLACK

ADD SCREW TORQUE EC NO: ETC2007-0331 DRWN: CLYORK 2007/03/12 CHKD: JMACNEIL 2007/03/14 APPR: JMACNEIL 2007/03/15	QUALITY SYMBOLS ▽=0 ▽=0	GENERAL TOLERANCES (UNLESS SPECIFIED)		DIMENSION STYLE		SCALE	DESIGN UNITS	THIRD ANGLE PROJECTION		
				MM/IN		1:1	INCH			
		4 PLACES	±---	±---	DRAWN BY	DATE	TITLE DIN RAIL INTERFACE MOD, 50 POSITION MALE D-SUB TO 5.08MM VERT EURO PLUG			
		3 PLACES	±---	±.005	C. YORK	2004/11/15				
2 PLACES	±0.13	±.01	CHECKED BY	DATE	MOLEX INCORPORATED					
1 PLACE	±0.3	±---	R. STONE	2004/11/16						
		ANGULAR ± 2 °	APPROVED BY	DATE	MATERIAL NO.		DOCUMENT NO.		SHEET NO.	
			G. ROBERTSON	2004/11/16	39170-2150		SD-39170-009		1 OF 1	
DRAFT WHERE APPLICABLE MUST REMAIN WITHIN DIMENSIONS		SIZE		THIS DRAWING CONTAINS INFORMATION THAT IS PROPRIETARY TO MOLEX INCORPORATED AND SHOULD NOT BE USED WITHOUT WRITTEN PERMISSION						
		B								