

Multiple relay module with manual actuation, Screw connection, With 4 miniature relays, 1 CO contact each, Soldered, With illuminated display, Positive switching, Input voltage: 24 VDC

Business data

Article number	6615.2
Article name	RIMD4-2S/1W/24V+
GTIN (EAN)	4044211075200
Packaging unit	1
Quantity unit	PC
Weight per piece (not including packaging)	175.8 g
Weight per piece (including packaging)	231.5 g
Unit of weight	G
Customs number	85364900
Country of origin	NL
Product description	Relay module

Technical data

Dimensions

Length	87 mm
Width	78 mm
Height	74 mm

Ratings

Overvoltage category	III
Contamination degree	2

Connection data

Connection principle	Screw connection
Wire cross-section single core (rigid), min.	0.08 mm ²
Wire cross-section single-core (rigid), max.	4 mm ²
Wire cross-section stranded, min.	0.2 mm ²
Wire cross-section stranded, max.	2.5 mm ²
Wire cross-section stranded with wire-end ferrules, min.	0.2 mm ²
Wire cross-section stranded with wire-end ferrules, max.	2.5 mm ²
Stripping length	7 mm
Torque	0.6 Nm

Input data

Input voltage	24 VDC
Number of channels	4
Plus switching (source)	1
Power consumption	0,6 W
reverse-polarity protection diode	1

Output data

Switching voltage / switching voltage max.	250 / 250 VAC
Continuous current max. / Inrush current max.	6 / 10 A
Contact configuration	1 CO contact
Switching capacity, max.	2000 VA
Electrical lifespan (AC1)	1,5x10 ⁷
Mechanical lifespan	10x10 ⁶

Technical data

Materials

Contact material	AgNi 90/10
Working temperature, min.	-20 °C
Working temperature, max.	55 °C

Further technical data

Protection class	IP20
Insulation voltage coil/contact	4 kV
Status display red	✓
Free-wheel diode	✓
Response/release time	9 / 7 ms
Pinning	3.5 mm
Manual/Off/Automatic switching	✓
Feedback loop	✓
Operating voltage indicator LED	✓

Environmental Product Compliance

REACH Conform	yes
REACH Reference date	2022-06-10
REACH Candidate Substance Note	No
RoHS Conform	yes

Approvals

Standards and regulations

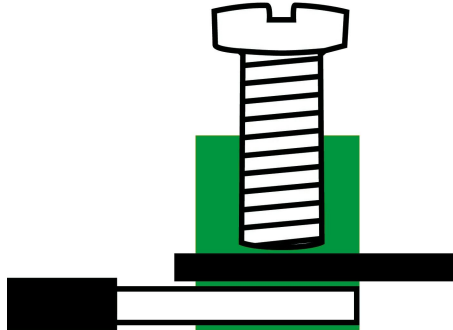
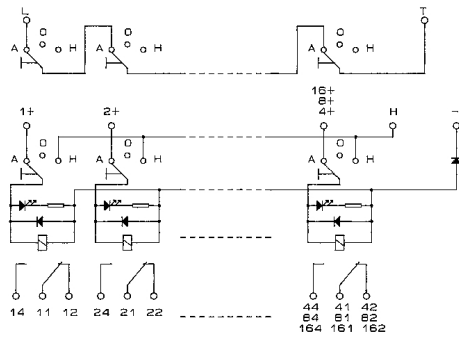
CE compliant

yes

Standards / specifications

DIN VDE 0110 / EN 50178

Media



Accessories
