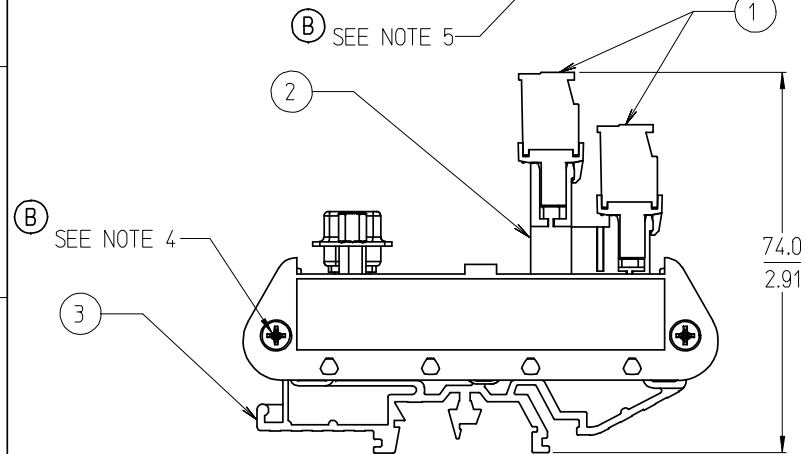


TYPICAL SCHEMATIC

NOTES:

1. MATERIAL: SEE TABLE
2. FINISHES: SEE TABLE
3. MATES WITH: 50 POSITION MALE D-SUB
4. END CAP MOUNT SCREW TORQUE: 0.5 N-m (4.4 lbf-in) MINIMUM  
0.6 N-m (5.3 lbf-in) MAXIMUM
5. TERMINAL BLOCK SCREW TORQUE: 0.8 N-m (7.1 lbf-in)
6. ASSEMBLY ROHS COMPLIANCE NOT REQUIRED.



| ITEM | QTY. | DESCRIPTION                                | MATERIAL         | FINISH |
|------|------|--|------------------|--------|
| 3    | 2    | DIN RAIL ADAPTOR UNIT                      | THERMOPLASTIC    | BLACK  |
| 2    | 1    | FEMALE D-SUB TO 5.08 HEADER, PC BOARD ASSY | -                | -      |
| 1    | 4    | 5.08 PLUGGABLE BTS, 13 POSITION            | SEE SD-39860-004 | BLACK  |

|  |                               |                                       |              |  |                    |            |  |                        |           |  |
|--|-------------------------------|---------------------------------------|--------------|--|--------------------|------------|--|------------------------|-----------|--|
| ADD SCREW TORQUE<br>EC NO: ETC2007-0331<br>DRWN: CLYORK 2007/03/12<br>CHKD: JMACNEIL 2007/03/14<br>APPR: JMACNEIL 2007/03/15 | QUALITY SYMBOLS<br>▽=0<br>∇=0 | GENERAL TOLERANCES (UNLESS SPECIFIED) |              | DIMENSION STYLE  |                    | SCALE      | DESIGN UNITS   | THIRD ANGLE PROJECTION |           |  |
|  |                               |                                       |              | MM/IN  |                    | 1:1        | INCH   |                        |           |  |
|  |                               | 4 PLACES                              | ±---         | ±---   | DRAWN BY           | DATE       | TITLE<br>DIN RAIL INTERFACE MOD,<br>50 POSITION FEMALE D-SUB<br>TO 5.08MM VERT EURO PLUG |                        |           |  |
|  |                               | 3 PLACES                              | ±---         | ±.005  | C. YORK            | 2004/11/12 |  |                        |           |  |
| 2 PLACES   | ±0.13                         | ±.01                                  | CHECKED BY   | DATE   | MOLEX INCORPORATED |            |  |                        |           |  |
| 1 PLACE  | ±0.3                          | ±---                                  | R. STONE     | 2004/11/16   |                    |            |  |                        |           |  |
|  |                               | ANGULAR ± 2 °                         | APPROVED BY  | DATE   | MATERIAL NO.       |            | DOCUMENT NO.   |                        | SHEET NO. |  |
|  |                               |                                       | G. ROBERTSON | 2004/11/16   | 39170-3150         |            | SD-39170-007   |                        | 1 OF 1    |  |
| DRAFT WHERE APPLICABLE<br>MUST REMAIN<br>WITHIN DIMENSIONS   |                               | SIZE                                  |              | THIS DRAWING CONTAINS INFORMATION THAT IS PROPRIETARY TO MOLEX<br>INCORPORATED AND SHOULD NOT BE USED WITHOUT WRITTEN PERMISSION |                    |            |  |                        |           |  |
|  |                               | B                                     |              |  |                    |            |  |                        |           |  |