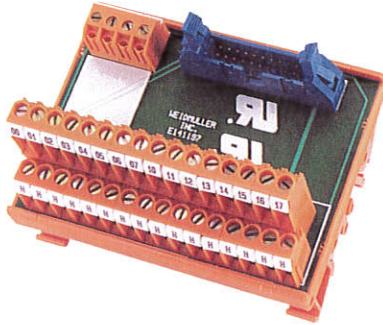
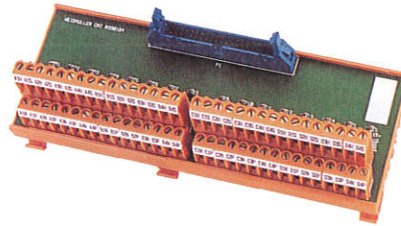


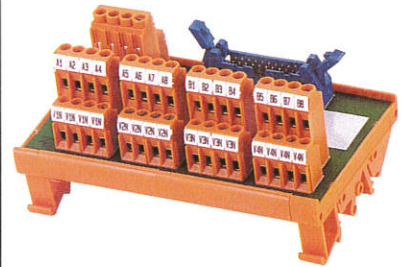
**Passive - 2 wire
16 Channel
Input
GE Fanuc**



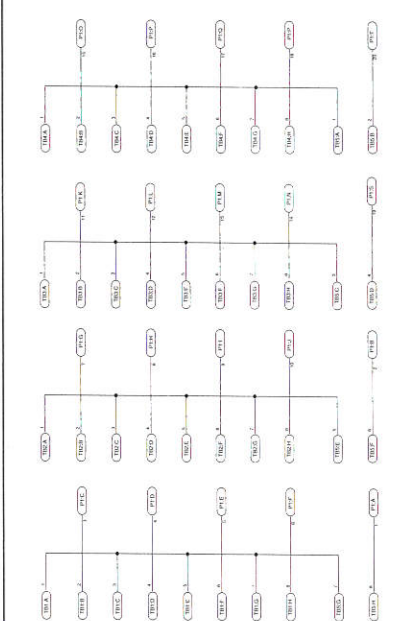
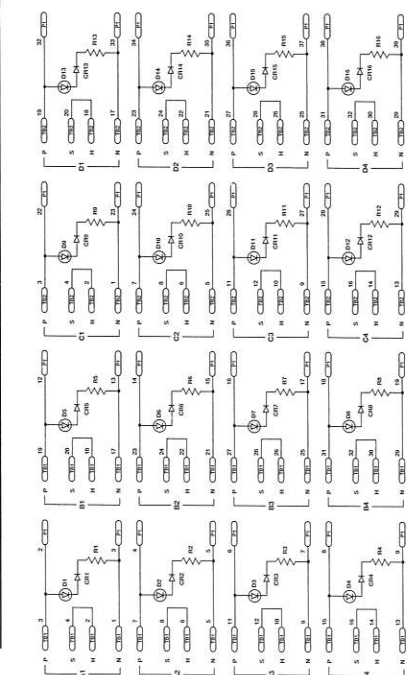
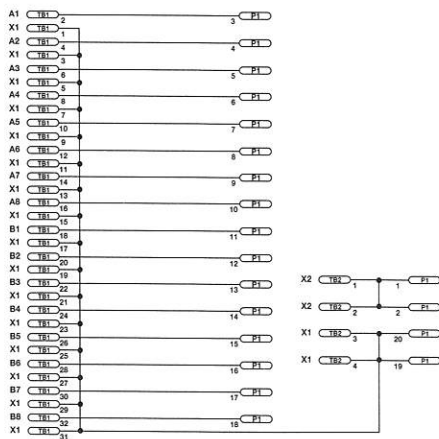
**Passive - 2 wire
16 Channel
Input w/LED
GE Fanuc**



**Passive - 2 wire
16 Channel
Input
GE Fanuc**



RS PLC 16PT DI +/- BUS	RS PLC IDI W/LED	RS PLC 16PT
998041 24 VAC/DC IC693MDL241	998184 IC697MDL240	998127 120 VAC IC697MDL251
24 VDC IC693MDL645, 646		998137 125 VDC IC697MDL640
998040 120 VAC IC693MDL240		24 VDC IC697MDL671
See Above	120 VAC	See Above
3.0 A per channel / 6.0 A per module / 3.0 A per common	2.5 A per channel / 12.0 A per module	3.0 A per channel / 3.0 A per group of 4 / 12.0 A per module
(1) 1 x 20 pin IDC	(1) 1 x 40 pin IDC	(1) 1 x 20 pin IDC
No	Yes	No
0°C...+50°C	0°C...+50°C	0°C...+50°C
-20°C...+60°C	-20°C...+60°C	-20°C...+60°C
90 x 70 x 56	180 x 70 x 59	90 x 70 x 56
#26...14 AWG	#26...14 AWG	#26...14 AWG
Screw Clamp	Screw Clamp	Screw Clamp



Note: Markings vary based on I/O used.

PART NUMBER SELECTION TABLES

