

SECTION 12-12
SCALE 4:1

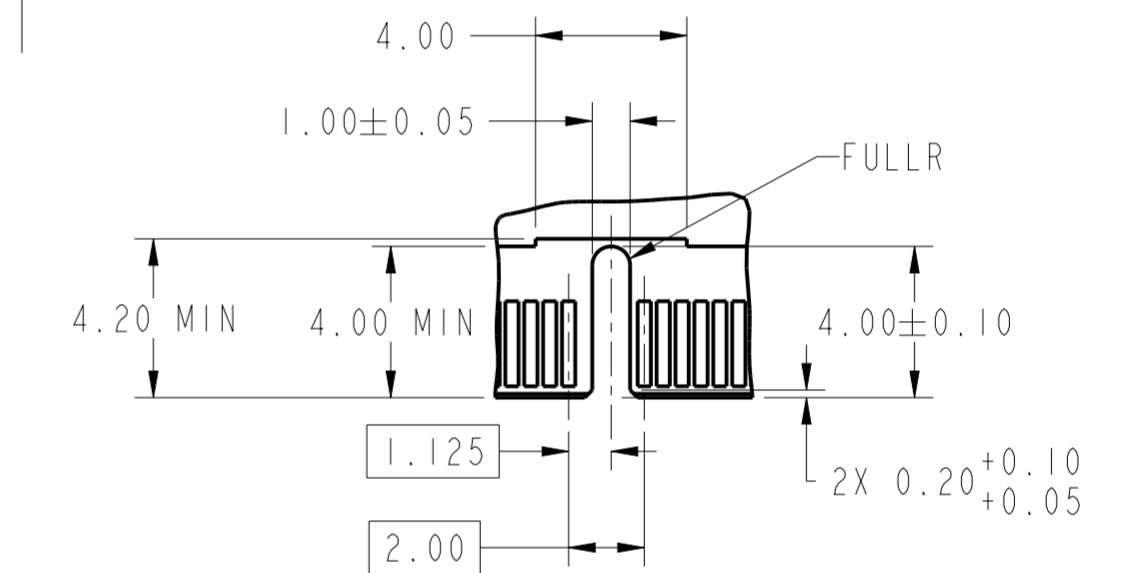
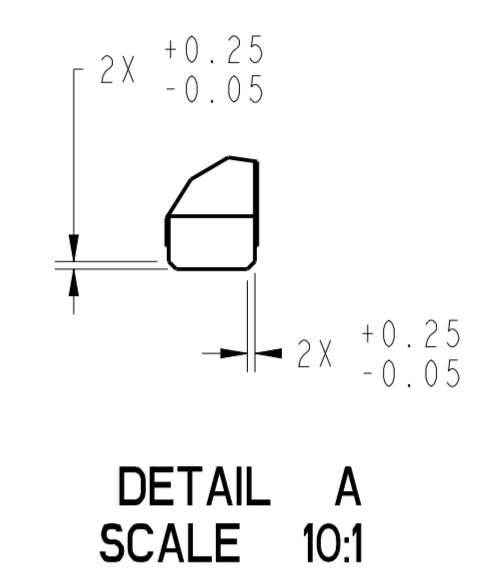
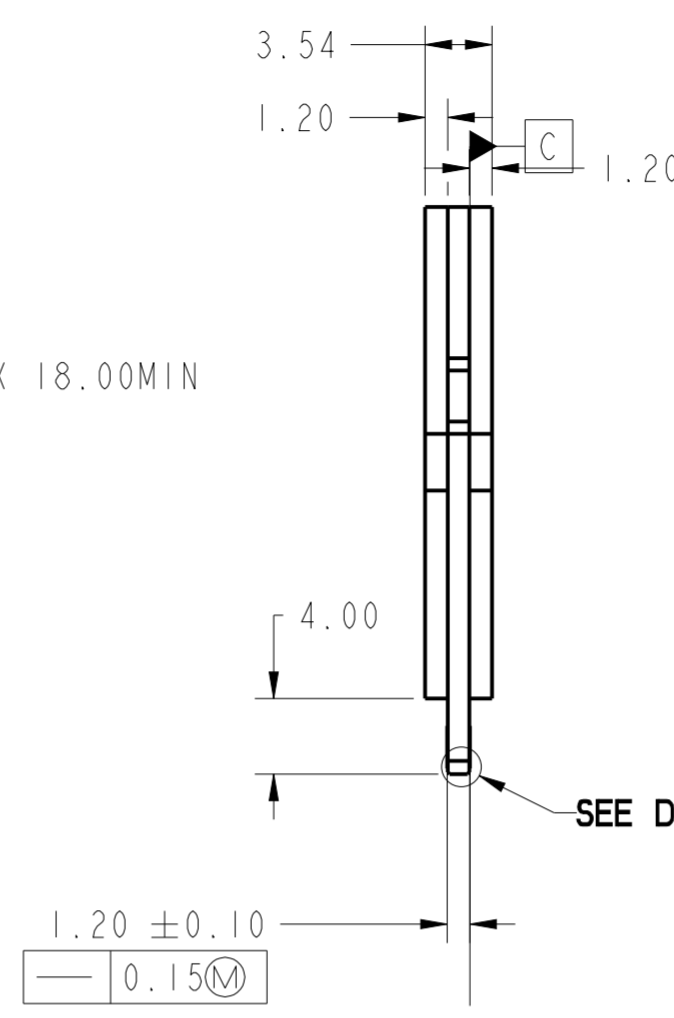
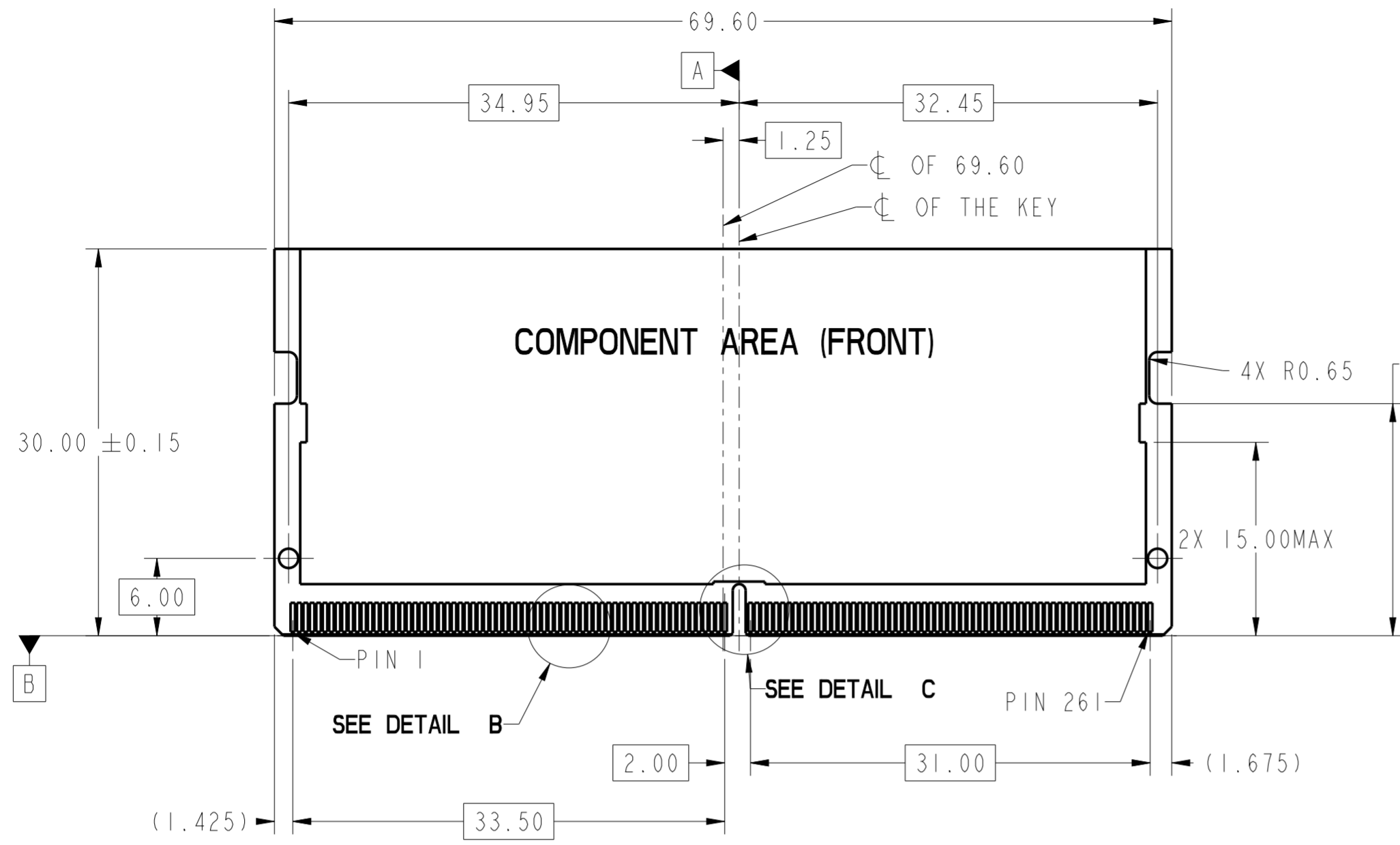
MATING: ① INSERTING (25°) → ② ROTATING → ③ FIXED
UNMATING: ④ UNFIXED → ⑤ ROTATING → ⑥ WITHDRAWING

PRELIMINARY

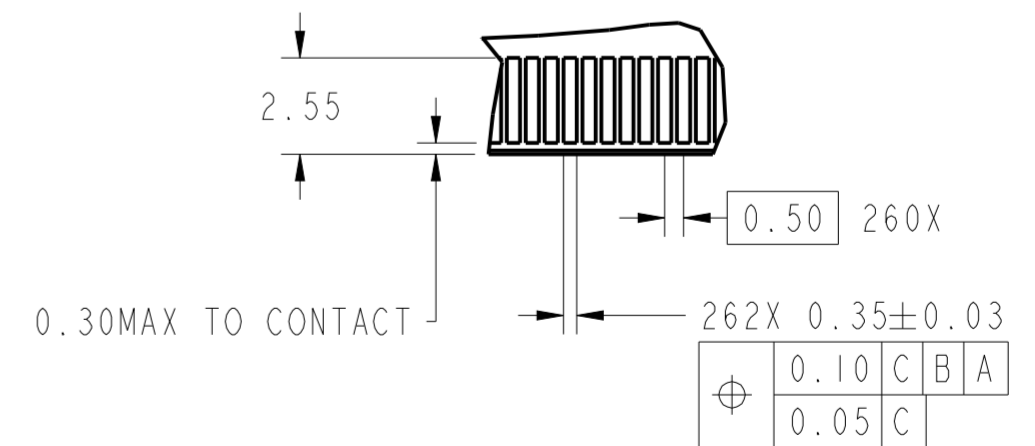
spec ref	dr LOREN LU	2021-03-10	projection	MM	size A2	scale 1:1
tolerance std ISO 406 ISO 1101	eng LOREN LU	2021-03-10			ecn no	rel level
TOLERANCES UNLESS OTHERWISE SPECIFIED						
surface	linear	0.X ±0.30 0.XX ±0.20 0.XXX ±0.10	Amphenol FCI		DDR5 SODIMM R/A 262PIN STD CONNECTOR 0.50mm PITCH	dng no 10162416
ISO 1302	angular	0° ±2°	cat. no.		Product-Customer Drw	rev I

Amphenol FCI

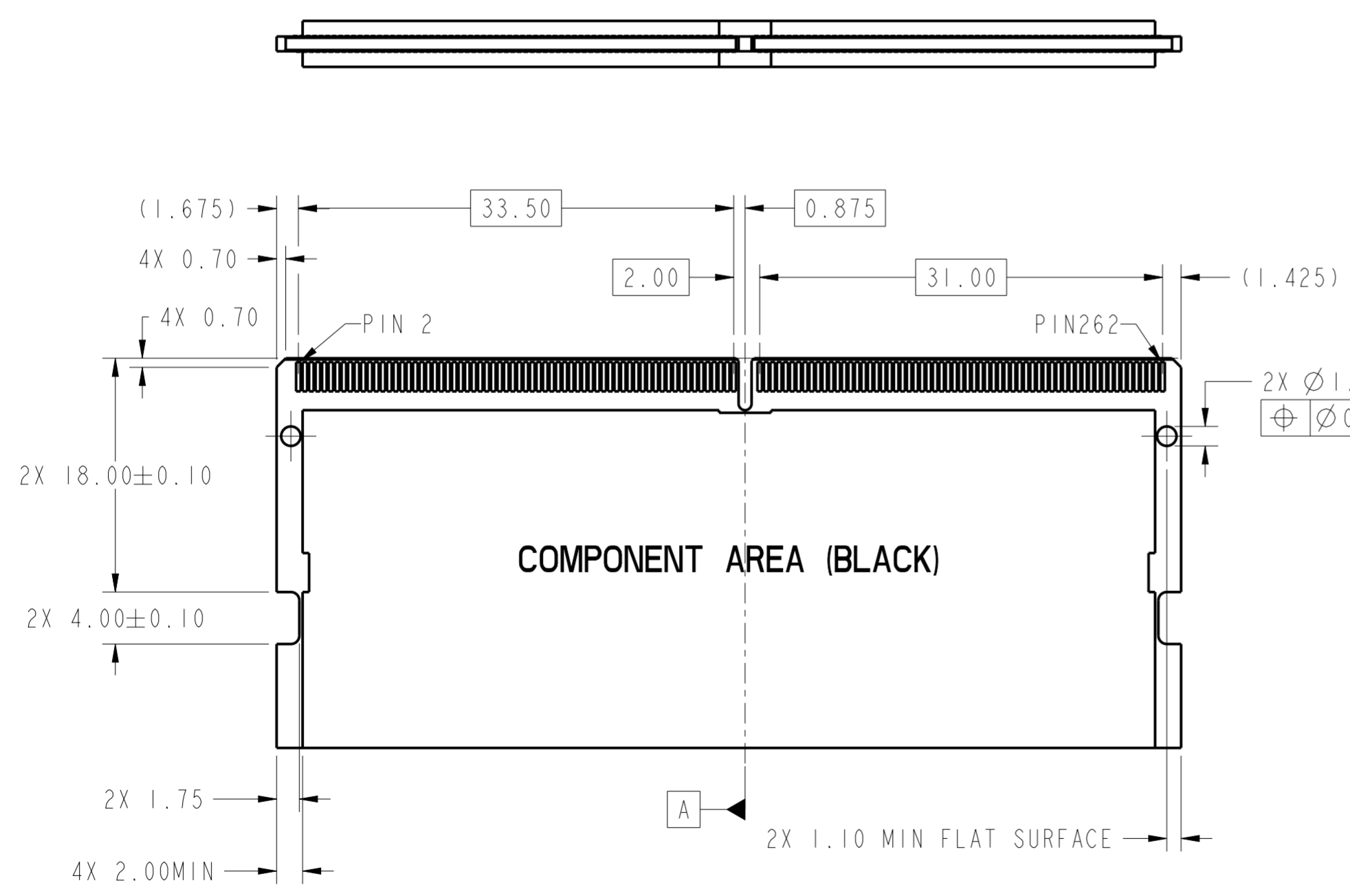
© 2016 APCI



DETAIL C
SCALE 5:1



DETAIL B
SCALE 5:1



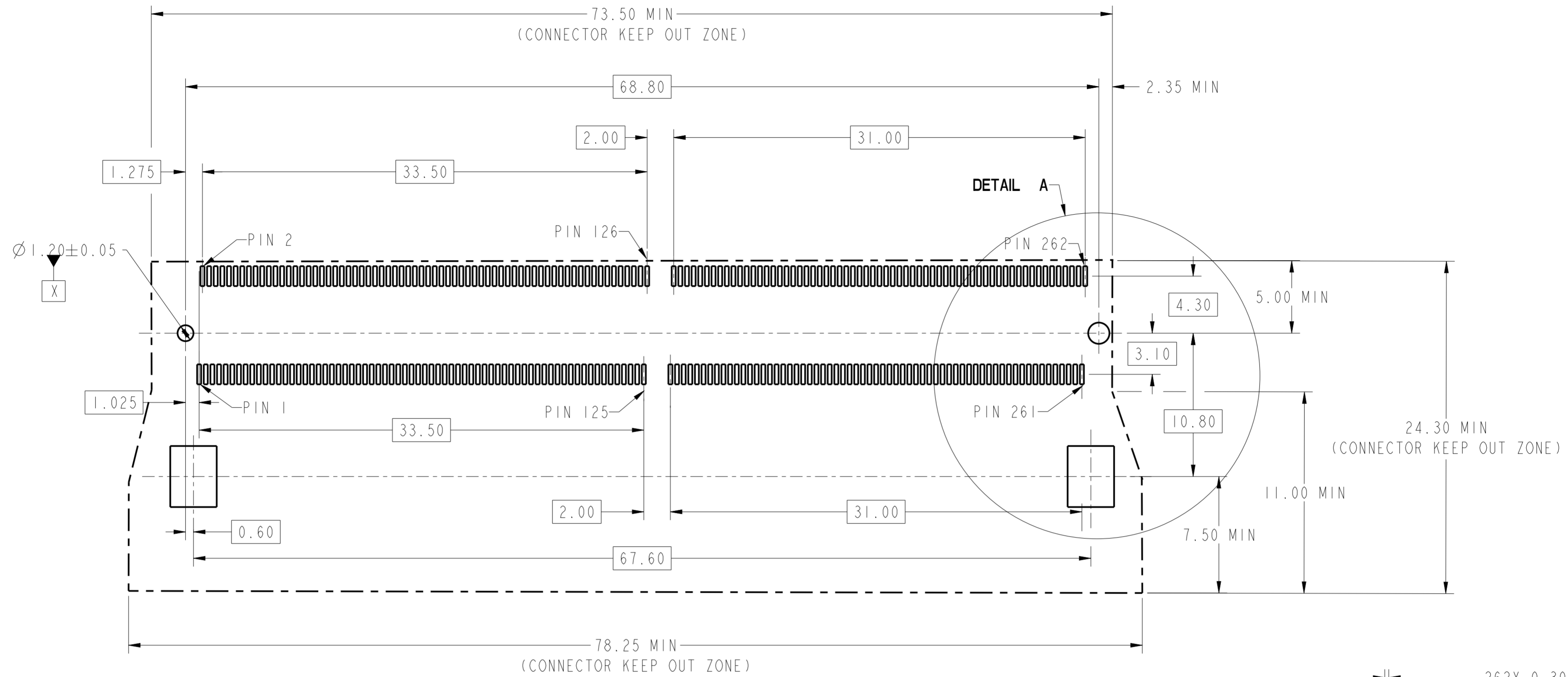
RECOMMEND CARD

spec ref	dr	LOREN LU	2021-03-10	projection	MM	size	A2	scale	1:1
tolerance std	eng	LOREN LU	2021-03-10	chr		ecn no			
ISO 406	chr			appr		rel level		In Work	
ISO 1101	appr			product family					
surface	linear	0.X	±0.30	Amphenol FCI	DDR5 SODIMM R/A 262PIN	cat. no.	10162416	rev	I
		0.XX	±0.20		STD CONNECTOR 0.50mm PITCH				
		0.XXX	±0.10						
ISO 1302	angular	0°	±2°						

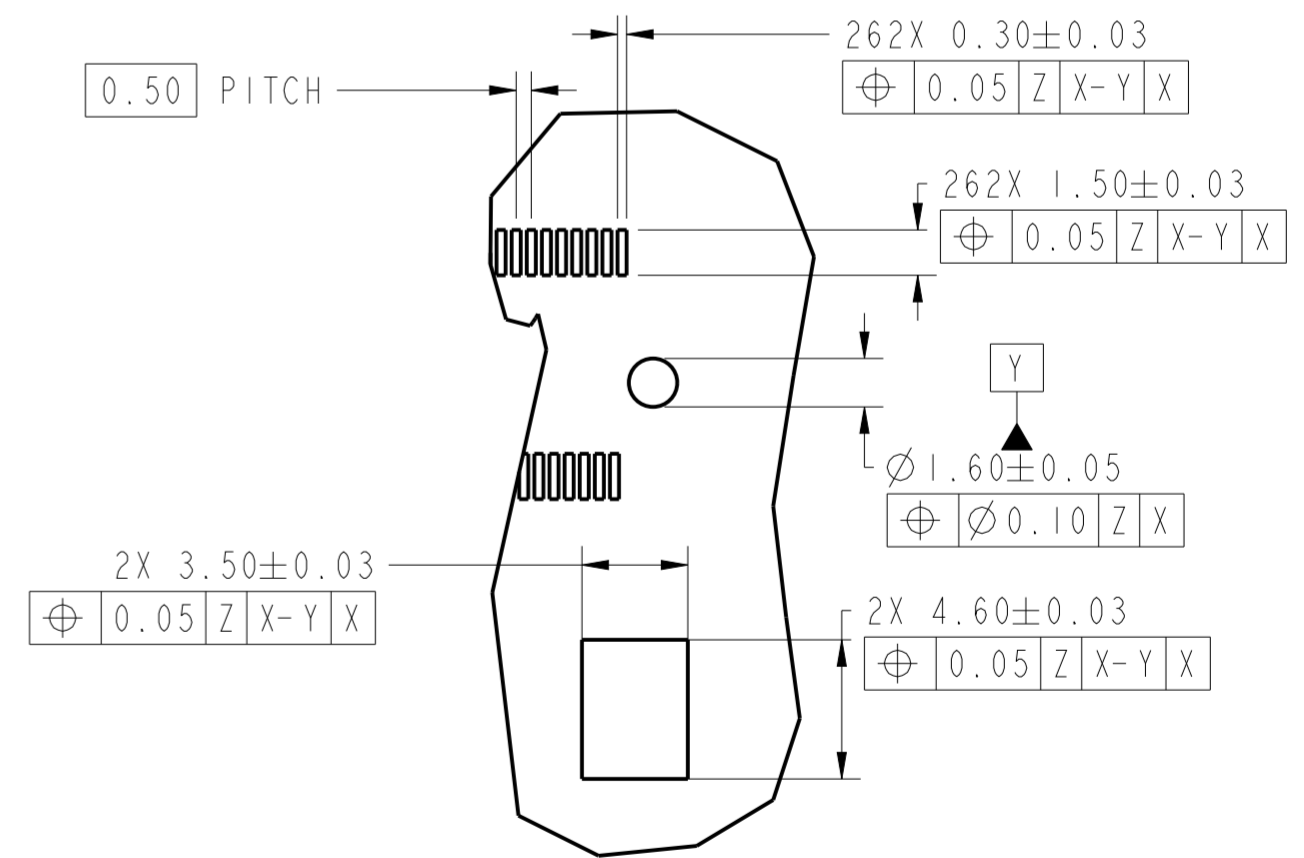
PRELIMINARY

Amphenol FCI

© 2016 APCI



RECOMMEND PCB LAYOUT
 THE TOLERANCE UNLESS SPECIFIED IS $\pm 0.05\text{MM}$



DETAIL A
 SCALE 4:1

PRELIMINARY

spec ref	dr	LOREN LU	2021-03-10	projection	MM	size	A2	scale	1:1
tolerance std	eng	LOREN LU	2021-03-10			ecn no	rel level	In Work	rev
ISO 406	chr	-	-						
ISO 1101	appr	-	-	product family	-				
surface	linear	0.X	± 0.30			DDR5 SODIMM R/A 262PIN		dwg no	10162416
		0.XX	± 0.20	STD CONNECTOR 0.50mm PITCH		Product-Customer Drw		sheet 3 of 4	
		0.XXX	± 0.10	cat. no.					
ISO 1302	angular	0°	$\pm 2^\circ$						

Amphenol
 FCI

© 2016 APCI

NOTES:

1. MATERIAL:
 - 1.1 HOUSING:HIGH TEMPERATURE MATERIAL ,COLOR:BLACK.
 - 1.2 CONTACT:COPPER ALLOY.
 - 1.3 SOLDER TAIL AND HOLD DOWN:STAINLESS STEEL.
2. FINISH:
 - 2.1 CONTACT: GOLD FLASH PLATING ON SOLDER TAIL.
GOLD PLATING (THICKNESS SEE PART NUMBER DESCRIPTION)
ON CONTACT AREA.
 - 2.2 SOLDER TAIL:
MATTE TIN PLATING ALL OVER,NICKEL UNDERPLATED ALL OVER.
3. DATE CODE : SSYYWWD
S: MANUFACTURING SITE
VALLEY GREEN =V
DONGGUAN= DG
MALAYSIA= M
YY:YEAR
WW:WEEK
D: DAY (MONDAY=1)
4. PRODUCT SPECIFICATION:GS-12-XXXX
5. PACKAGE SPECIFICATION:GS-14-XXXX
6. PRODUCT MARKING, (PART NUMBER&LOT CODE),ON THIS SURFACE
7. LEAD FREE PRODCUT MEETS THE EUROPEAN UNION DRECTIVES&OTHER
COUNTRY REGULATIONS AS DESCRIBED IN GS-47-0004
8. THE CONNECTOR WILL WITHSTAND EXPOSURE TO 260°C PEAK TEMPERATURE
FOR 10 SECONDS IN CONVECTION,INFAR-RED ,OR VAPOR PHASE
REFLOW OVEN

PART NUMBER DESCRIPTION:

10162416-0 0 X R H L F



PRELIMINARY

spec ref		dr	LOREN LU	2021-03-10	projection	MM	size	A2	scale	1:1
tolerance std		eng	LOREN LU	2021-03-10		←	ecn no		In Work	
ISO 406 ISO 1101		chr	-	-			rel level			
TOLERANCES UNLESS OTHERWISE SPECIFIED		appr			product family					
surface	linear	0.X	±0.30	Amphenol FCI	title		DDR5 SODIMM R/A 262PIN	dwg no	10162416	
		0.XX	±0.20		STD CONNECTOR 0.50mm PITCH		rev		I	
	angular	0°	±2°		cat. no.		Product-Customer Drw		sheet 4 of 4	

Amphenol FCI

© 2016 APCI