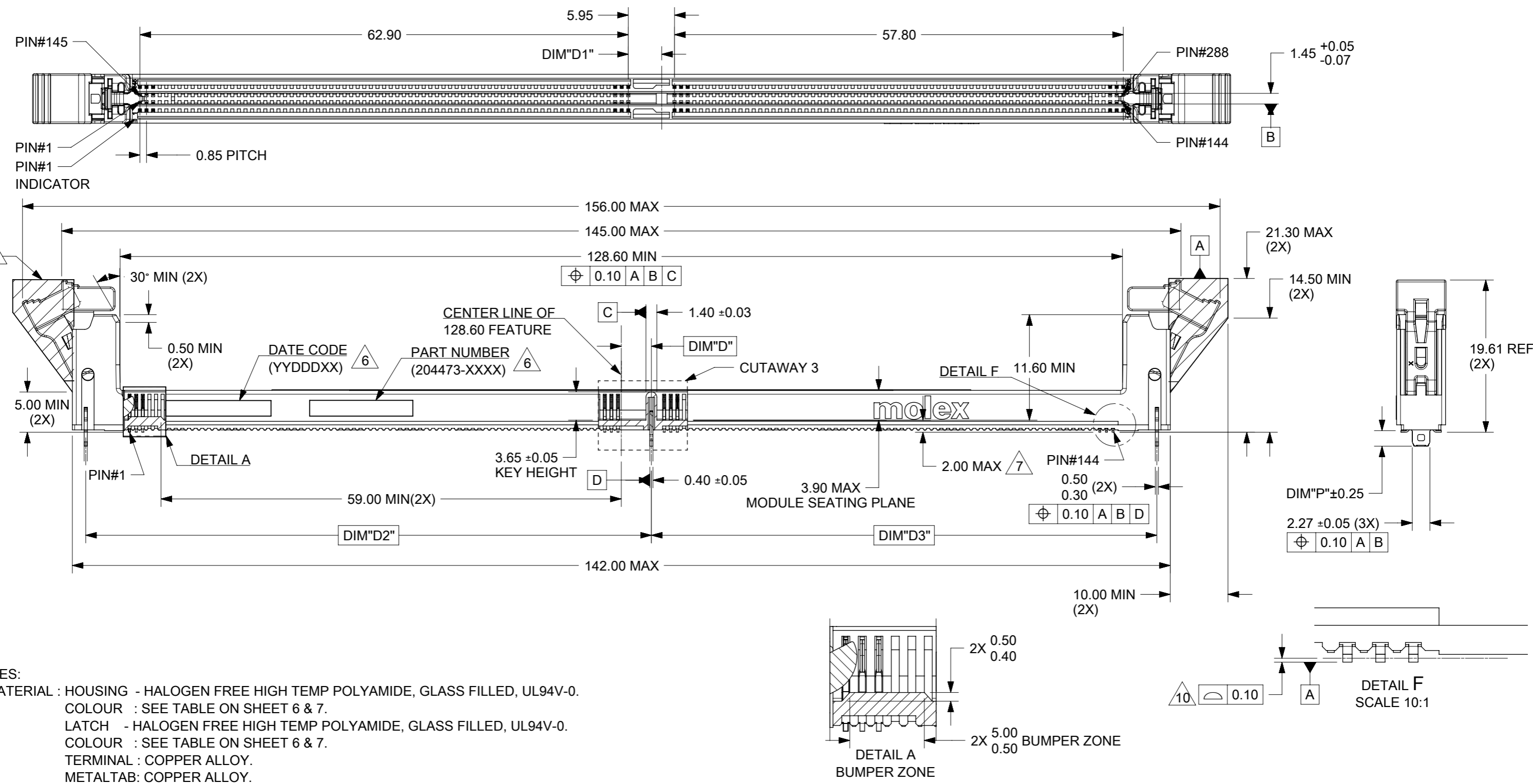


10 9 8 7 6 5 4 3 2 1

F
E
D
C
B
A



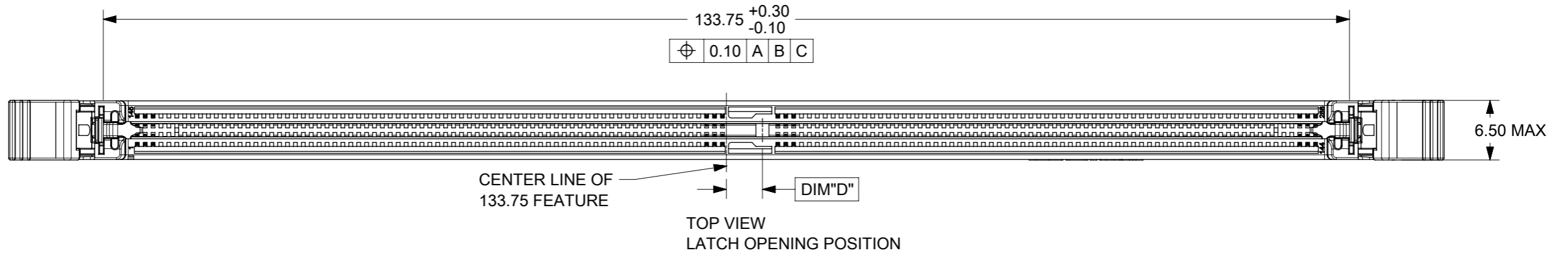
- NOTES:
- MATERIAL : HOUSING - HALOGEN FREE HIGH TEMP POLYAMIDE, GLASS FILLED, UL94V-0.
COLOUR : SEE TABLE ON SHEET 6 & 7.
LATCH - HALOGEN FREE HIGH TEMP POLYAMIDE, GLASS FILLED, UL94V-0.
COLOUR : SEE TABLE ON SHEET 6 & 7.
TERMINAL : COPPER ALLOY.
METALTAB: COPPER ALLOY.
 - FINISHES - SEE TABLE ON SHEET 6 & 7.
 - PRODUCT SPECIFICATION : SEE TABLE ON SHEET 6 & 7.
 - PACKAGING SPECIFICATION: PRODUCT SHALL BE PACKED IN TRAY, SEE SHEET 6 & 7.
 - CARD(FOLLOWS MO-329) SLOT ACCEPTS 1.27±0.10MM MODULE THICKNESS (MEASURED OVER P.C. PADS).
 - MOLEX LOGO, DATE & PART NO. INDICATED ON HOUSING.
 - MODULE SEATING PLANE.
 - KEEP OUT ZONE RESERVED FOR LATCH.
 - KEEP OUT AREA IS THE AREA (6X SHADED AREAS) WHERE THE CONNECTOR (INCLUDES LATCHES IN OPENING POSITION) IS MOUNTED ON THE PCB.
 - COPLANARITY MEASUREMENTS ARE MADE BY PLACING THE CONNECTOR ONTO A FLAT STEEL SURFACE.
 - REFER TO 2044730001-AS FOR CONNECTOR APPLICATION GUIDELINE.
 - REFER TO 2044730002-AS FOR PCB ROUTING RECOMMENDATIONS.
 - THE DIMENSION ONLY APPLIES TO THE MODULE AREA AS INDICATED ABOVE THE NOTCH.

THIS DRAWING CONTAINS INFORMATION THAT IS PROPRIETARY TO MOLEX ELECTRONIC TECHNOLOGIES, LLC AND SHOULD NOT BE USED WITHOUT WRITTEN PERMISSION									
DIMENSION UNITS		SCALE		CURRENT REV DESC: ADD UDIMM OPTION AND P/N: 2044734230/4234					
mm		NTS							
GENERAL TOLERANCES (UNLESS SPECIFIED)				EC NO: 700854				DDR5 R/UDIMM, 0.85MM PITCH	
ANGULAR TOL ± 3.0°				DRWN: SKANG 2022/02/22				288 CKTS, VERTICAL SMT	
4 PLACES ±				CHK'D: EKSOH 2022/03/25				PRODUCT CUSTOMER DRAWING	
3 PLACES ±				APPR: SHLENI 2022/03/29				DOCUMENT NUMBER	
2 PLACES ± 0.2				INITIAL REVISION:				2044730000	
1 PLACE ±				DRWN: KUCHILA 2017/08/31				DOC TYPE	
0 PLACES ±				APPR: SHLENI 2018/01/19				PSD	
DRAFT WHERE APPLICABLE MUST REMAIN WITHIN DIMENSIONS		THIRD ANGLE PROJECTION		DRAWING		SERIES		SHEET NUMBER	
				A3-SIZE		204473		1 OF 7	
MATERIAL NUMBER		CUSTOMER		SEE TABLE		GENERAL MARKET			

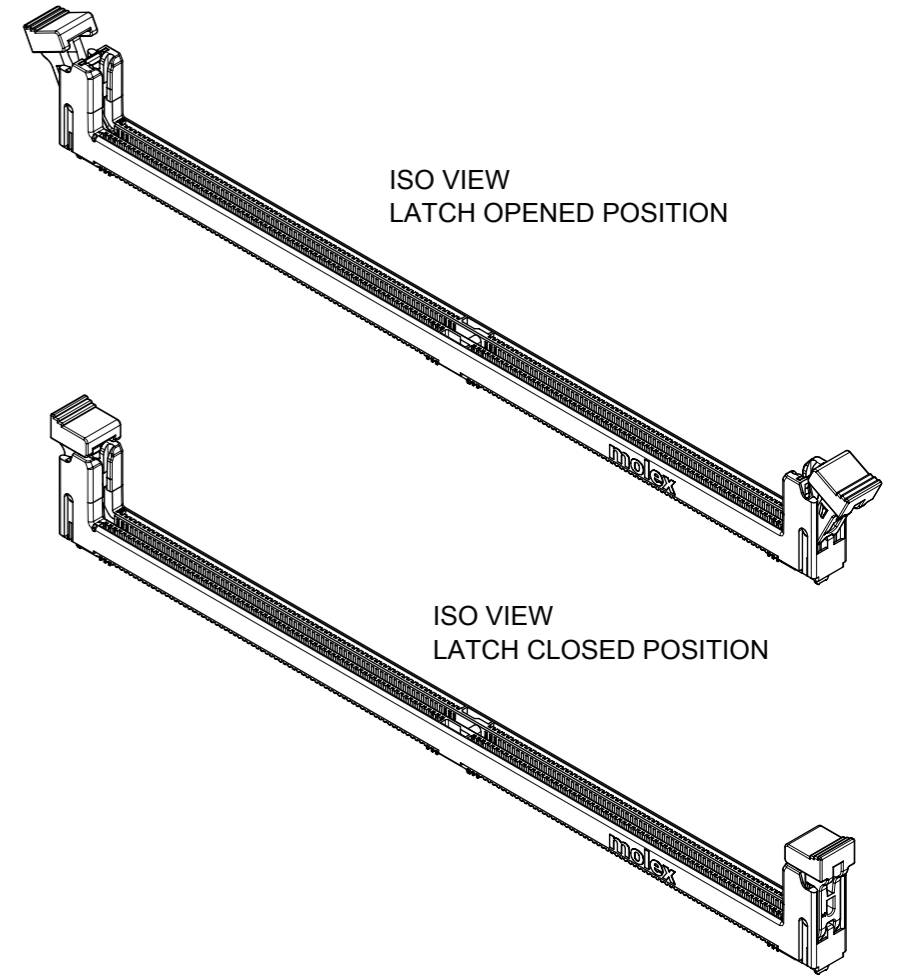
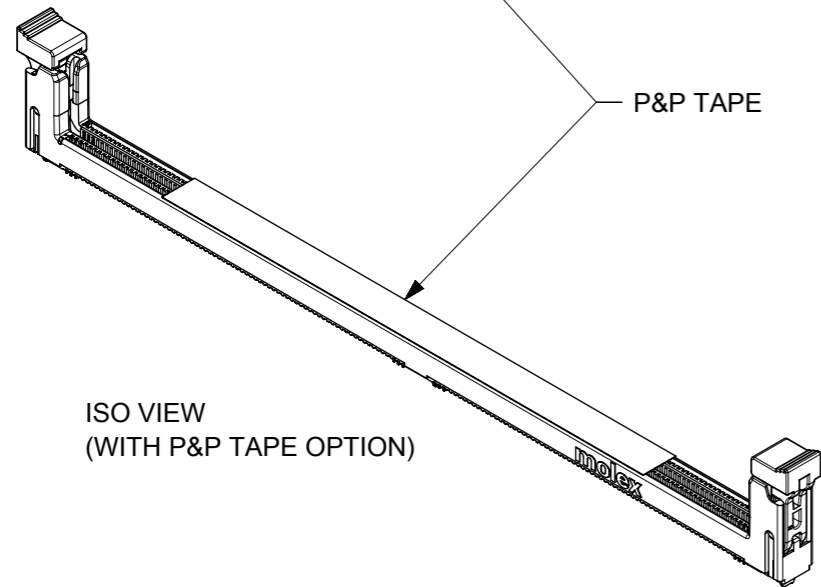
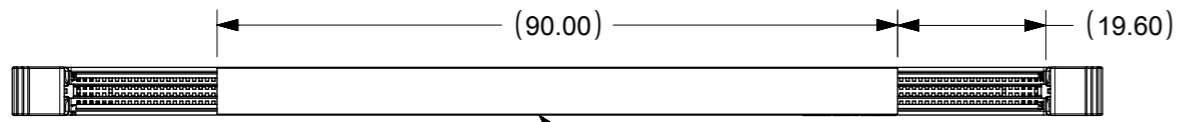
DOCUMENT STATUS P1 RELEASE DATE 2022/03/29 03:48:00

FORMAT: master-ib-prod-A3
REVISION: 11
DATE: 2018/01/18

9 8 7 6 5 4 3 2 1

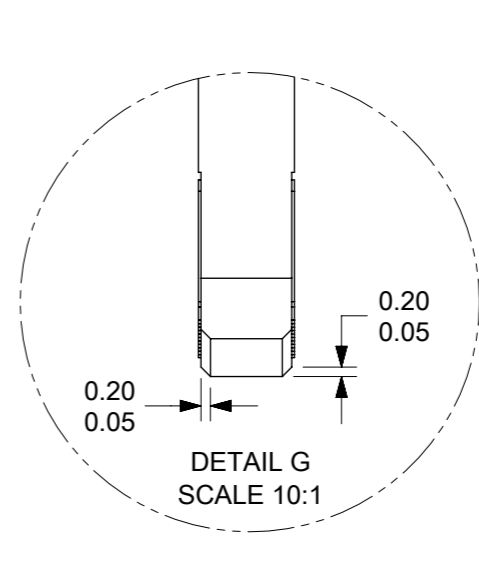
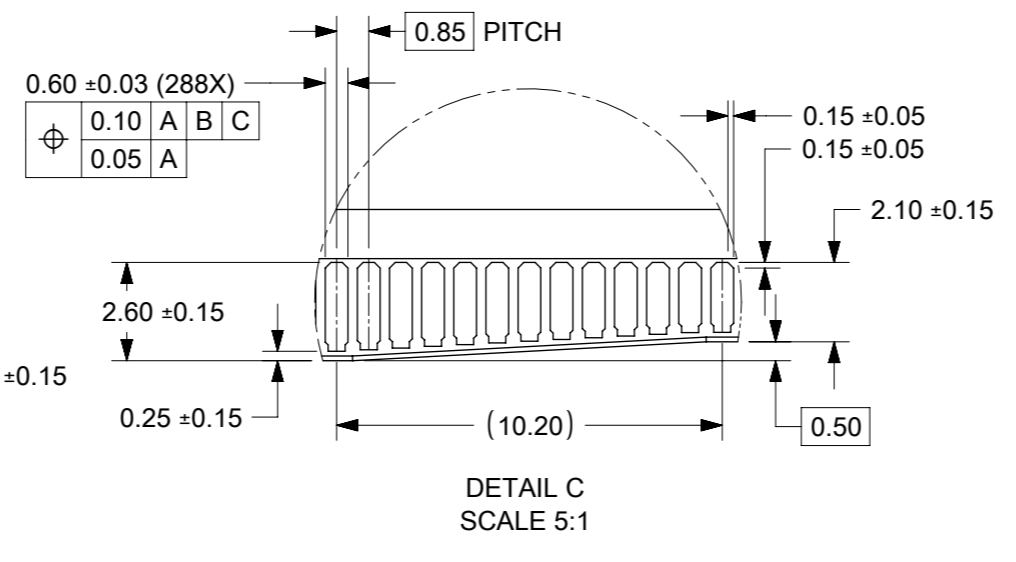
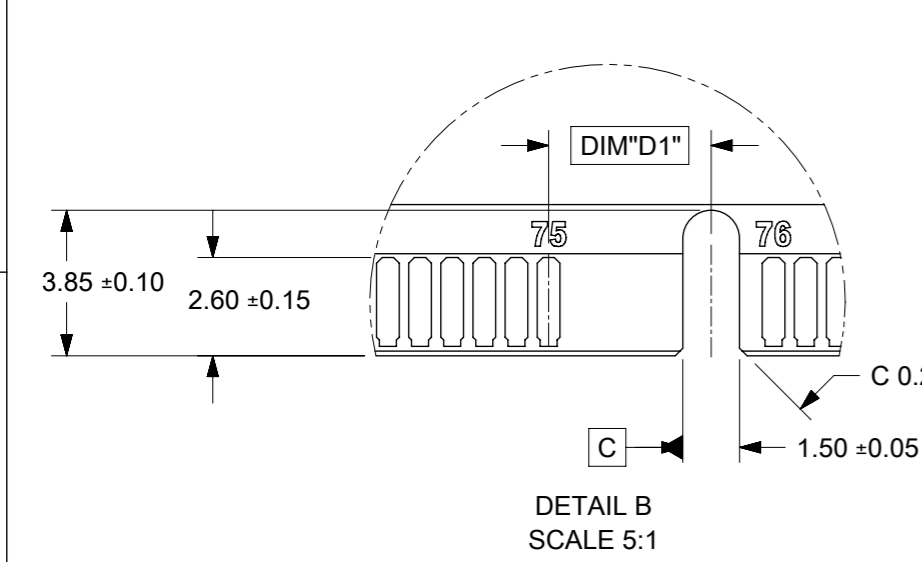
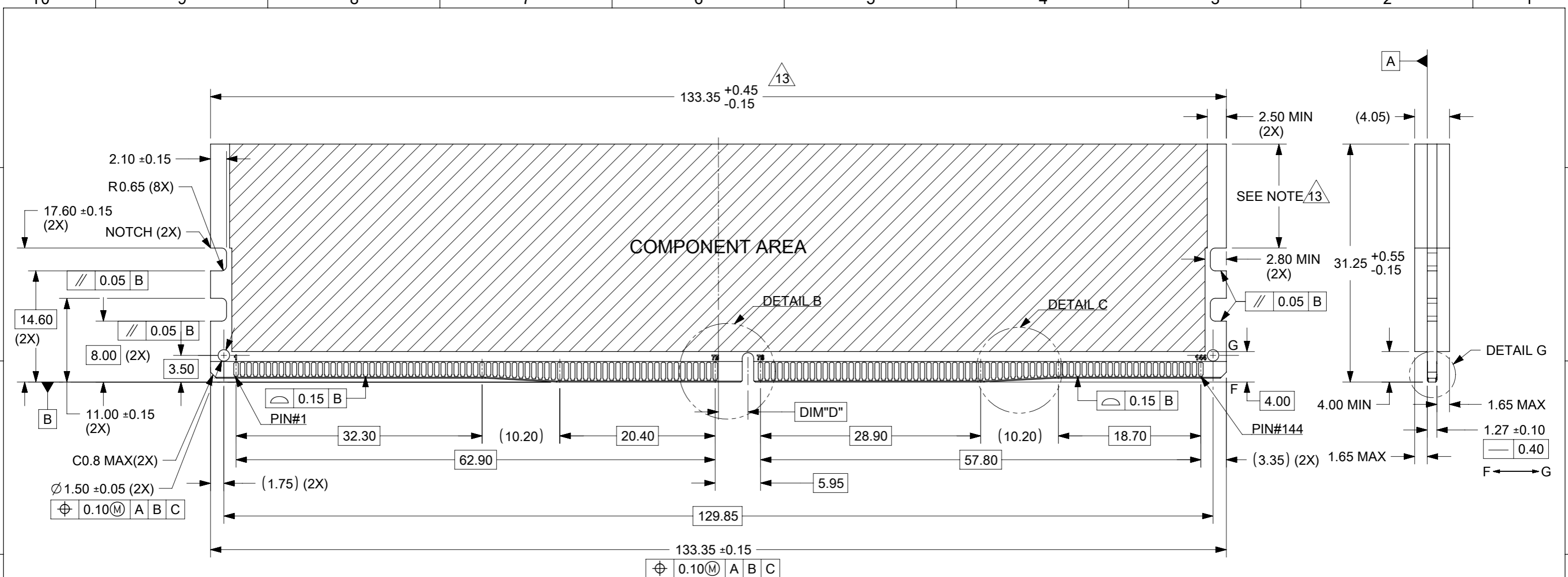


VIEW WITH P&P OPTION

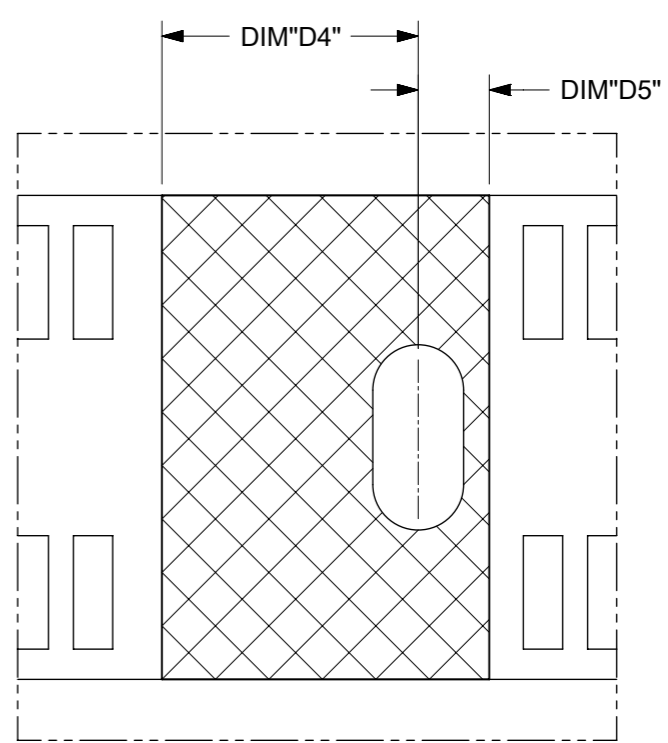
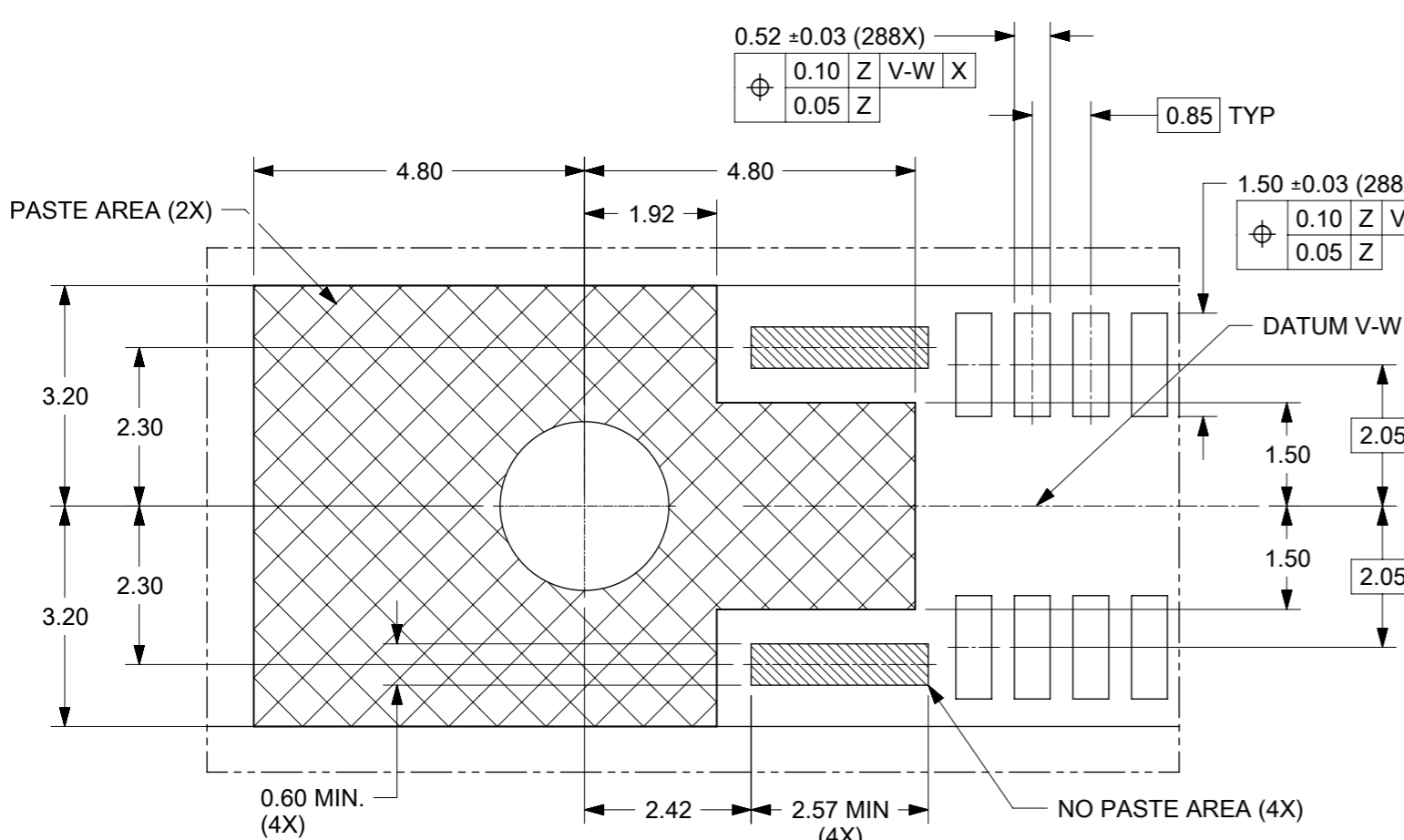
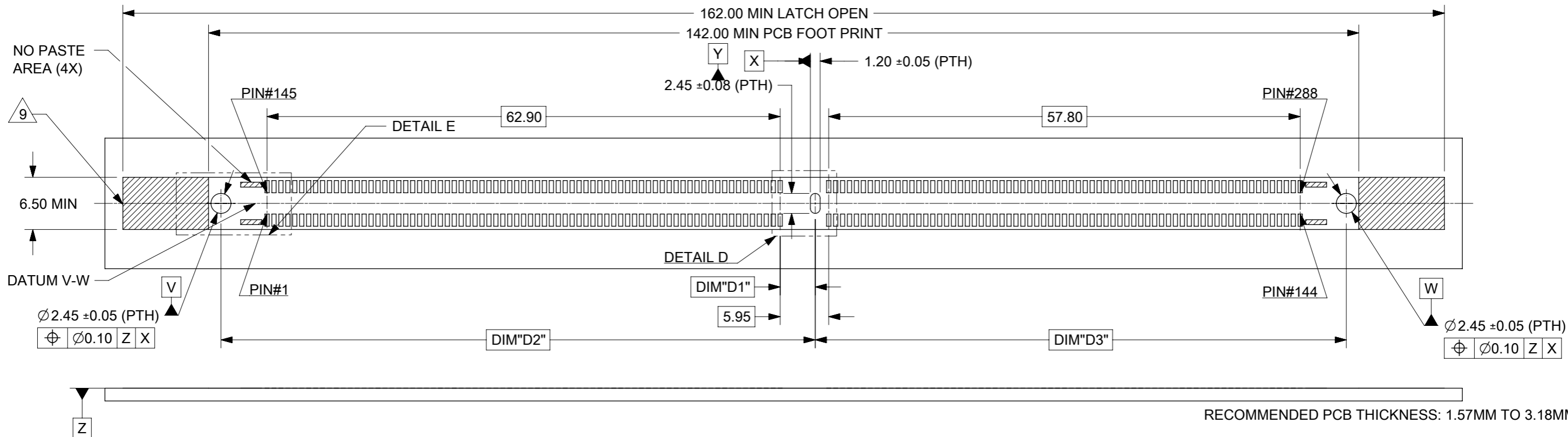


THIS DRAWING CONTAINS INFORMATION THAT IS PROPRIETARY TO MOLEX ELECTRONIC TECHNOLOGIES, LLC AND SHOULD NOT BE USED WITHOUT WRITTEN PERMISSION										
DIMENSION UNITS	SCALE	CURRENT REV DESC: ADD UDIMM OPTION AND P/N: 2044734230/4234				molex				
mm	NTS									
GENERAL TOLERANCES (UNLESS SPECIFIED)		EC NO: 700854				DDR5 R/UDIMM, 0.85MM PITCH 288 CKTS, VERTICAL SMT				
ANGULAR TOL	±	3.0 °	DRWN: SKANG		2022/02/22					
4 PLACES	±		CHK'D: EKSOH		2022/03/25					
3 PLACES	±		APPR: SHLENI		2022/03/29					
2 PLACES	±	0.2	INITIAL REVISION:				PRODUCT CUSTOMER DRAWING			
1 PLACE	±		DRWN: KUCHILA		2017/08/31	DOCUMENT NUMBER	DOC TYPE	DOC PART	REVISION	
0 PLACES	±		APPR: SHLENI		2018/01/19	2044730000	PSD	000	C1	
DRAFT WHERE APPLICABLE MUST REMAIN WITHIN DIMENSIONS		THIRD ANGLE PROJECTION	DRAWING	SERIES	MATERIAL NUMBER	CUSTOMER		SHEET NUMBER		
			A3-SIZE	204473	SEE TABLE	GENERAL MARKET		2 OF 7		

DOCUMENT STATUS	P1	RELEASE DATE	2022/03/29	03:48:00
-----------------	----	--------------	------------	----------



THIS DRAWING CONTAINS INFORMATION THAT IS PROPRIETARY TO MOLEX ELECTRONIC TECHNOLOGIES, LLC AND SHOULD NOT BE USED WITHOUT WRITTEN PERMISSION									
DIMENSION UNITS		SCALE		CURRENT REV DESC: ADD UDIMM OPTION AND P/N: 2044734230/4234					
mm		NTS							
GENERAL TOLERANCES (UNLESS SPECIFIED)				EC NO: 700854				DDR5 R/UDIMM, 0.85MM PITCH	
ANGULAR TOL ± 3.0°				DRWN: SKANG 2022/02/22				288 CKTS, VERTICAL SMT	
4 PLACES ±				CHK'D: EKSOH 2022/03/25				PRODUCT CUSTOMER DRAWING	
3 PLACES ±				APPR: SHLENI 2022/03/29				DOCUMENT NUMBER	
2 PLACES ± 0.2				INITIAL REVISION:				2044730000	
1 PLACE ±				DRWN: KUCHILA 2017/08/31				DOC TYPE	
0 PLACES ±				APPR: SHLENI 2018/01/19				PSD	
DRAFT WHERE APPLICABLE MUST REMAIN WITHIN DIMENSIONS				THIRD ANGLE PROJECTION		DRAWING		DOC PART	
						SERIES		REVISION	
				A3-SIZE		204473		C1	
				MATERIAL NUMBER		CUSTOMER		SHEET NUMBER	
				SEE TABLE		GENERAL MARKET		3 OF 7	

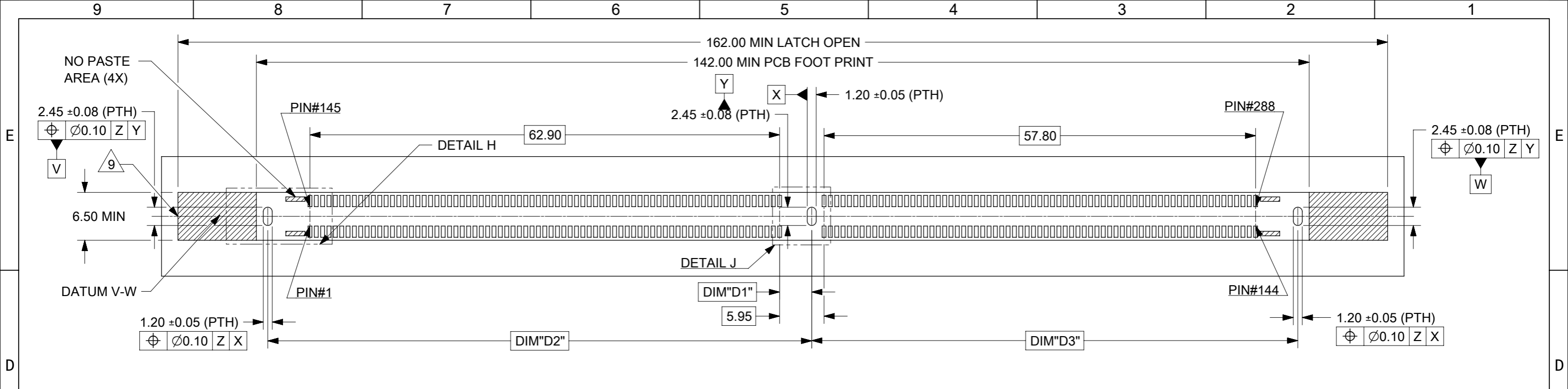


DETAIL E
SCALE 10:1
SIDE SOLDER PASTE AREA
(FOR 2X CIRCLE)

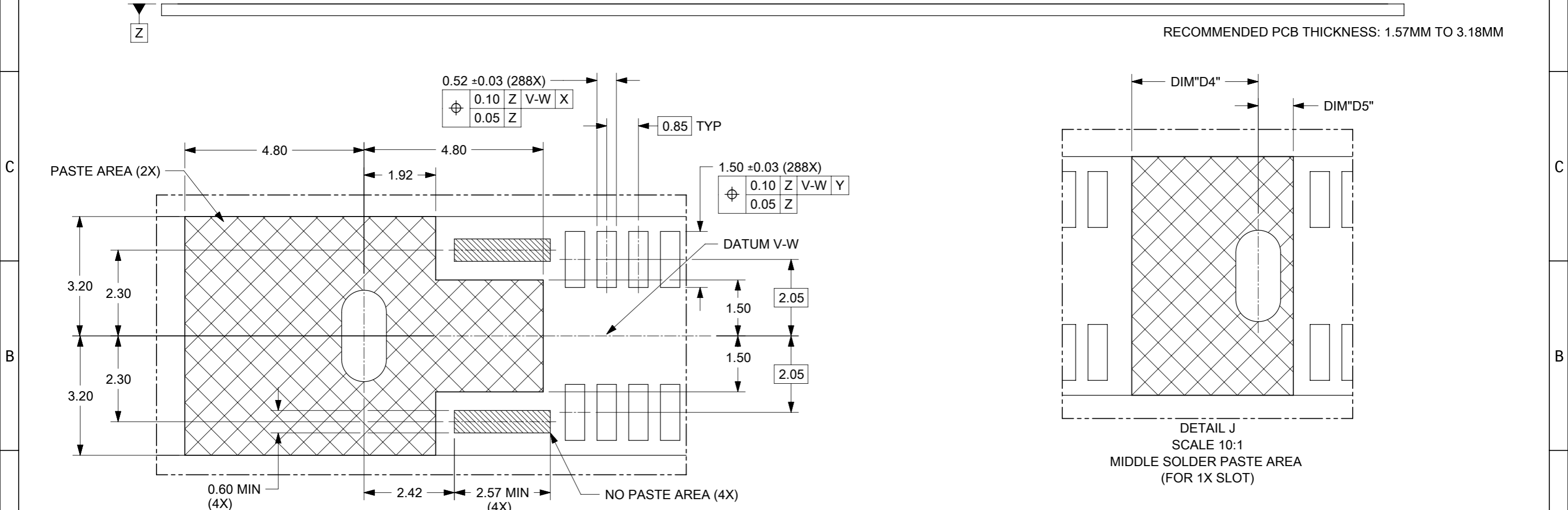
DETAIL D
SCALE 10:1
MIDDLE SOLDER PASTE AREA
(FOR 1X SLOT)

RECOMMENDED PCB FOOTPRINT (HOLE OPTION)

THIS DRAWING CONTAINS INFORMATION THAT IS PROPRIETARY TO MOLEX ELECTRONIC TECHNOLOGIES, LLC AND SHOULD NOT BE USED WITHOUT WRITTEN PERMISSION											
DIMENSION UNITS		SCALE		CURRENT REV DESC: ADD UDIMM OPTION AND P/N: 2044734230/4234						DDR5 R/UDIMM, 0.85MM PITCH 288 CKTS, VERTICAL SMT	
mm		NTS									
GENERAL TOLERANCES (UNLESS SPECIFIED)				EC NO: 700854				PRODUCT CUSTOMER DRAWING			
ANGULAR TOL ± 3.0°				DRWN: SKANG 2022/02/22							
4 PLACES ±				CHK'D: EKSOH 2022/03/25				DOCUMENT NUMBER 2044730000			
3 PLACES ±				APPR: SHLENI 2022/03/29							
2 PLACES ± 0.2				INITIAL REVISION:				DOC TYPE PSD DOC PART 000 REVISION C1			
1 PLACE ±				DRWN: KUCHILA 2017/08/31							
0 PLACES ±				APPR: SHLENI 2018/01/19				MATERIAL NUMBER SEE TABLE			
DRAFT WHERE APPLICABLE MUST REMAIN WITHIN DIMENSIONS				THIRD ANGLE PROJECTION		DRAWING					
				A3-SIZE		204473		GENERAL MARKET		SHEET NUMBER 4 OF 7	



RECOMMENDED PCB THICKNESS: 1.57MM TO 3.18MM



DETAIL H
SCALE 10:1
SIDE SOLDER PASTE AREA
(FOR 2X SLOT)

DETAIL J
SCALE 10:1
MIDDLE SOLDER PASTE AREA
(FOR 1X SLOT)

RECOMMENDED PCB FOOTPRINT (SLOT OPTION)

THIS DRAWING CONTAINS INFORMATION THAT IS PROPRIETARY TO MOLEX ELECTRONIC TECHNOLOGIES, LLC AND SHOULD NOT BE USED WITHOUT WRITTEN PERMISSION											
DIMENSION UNITS: mm		SCALE: NTS		CURRENT REV DESC: ADD UDIMM OPTION AND P/N: 2044734230/4234						DDR5 R/UDIMM, 0.85MM PITCH 288 CKTS, VERTICAL SMT	
GENERAL TOLERANCES (UNLESS SPECIFIED)		ANGULAR TOL ± 3.0°		EC NO: 700854							
4 PLACES ±		3 PLACES ±		DRWN: SKANG		2022/02/22		DRWN: KUCHILA		2017/08/31	
2 PLACES ± 0.2		1 PLACE ±		CHK'D: EKSOH		2022/03/25		APPR: SHLENI		2022/03/29	
0 PLACES ±		DRAFT WHERE APPLICABLE MUST REMAIN WITHIN DIMENSIONS		INITIAL REVISION:		DRWN: KUCHILA		APPR: SHLENI		2018/01/19	
THIRD ANGLE PROJECTION		DRAWING: A3-SIZE		SERIES: 204473		MATERIAL NUMBER: SEE TABLE		CUSTOMER: GENERAL MARKET		SHEET NUMBER: 5 OF 7	

RDIMM OPTION

CKT SIZE	ASSEMBLY PART NO.	HOUSING COLOUR	LATCH COLOUR	P&P OPTION	DIM"P"	DIM"D"	DIM"D1"	DIM"D2"	DIM"D3"	DIM"D4"	DIM"D5"	PLATING OPTION		PRODUCT SPEC. NO.	PACKAGING SPEC. NO.
												TERMINAL	METAL TAB		
288	2044731112	BLACK	BLACK	NO	2.00	3.875	4.30	72.85	65.10	3.39	0.94	0.76 MICROMETER (30 MICROINCH) MIN GOLD ON CONTACT 2.54 MICROMETER (100 MICROINCH) MIN TIN ON SOLDER TAILS 1.27 MICROMETER (50 MICROINCH) MIN NICKEL UNDERPLATE	2044730001-PS	2044730003 (HARD TRAY)	
	2044731212		OFF-WHITE												
	2044731412		YELLOW												
	2044732112	OFF-WHITE	BLACK												
	2044732212		OFF-WHITE												
	2044733212	BLUE	BLUE												
	2044733312		BLUE												
	2044734212	YELLOW	OFF-WHITE												
	2044731114	BLACK	BLACK												YES
	2044731214		OFF-WHITE												
	2044731314		BLUE												
	2044732114	OFF-WHITE	BLACK												
	2044732214		OFF-WHITE												
	2044733114	BLUE	BLACK												
	2044733214		OFF-WHITE												
	2044733314	BLUE	BLUE												
	2044731132	BLACK	BLACK	NO											
	2044731232		OFF-WHITE												
	2044732132	OFF-WHITE	BLACK												
	2044732232		OFF-WHITE												
	2044733332	BLUE	BLUE												
	2044734232	YELLOW	OFF-WHITE												
	2044731134	BLACK	BLACK	YES											
	2044731234		OFF-WHITE												
	2044731434		YELLOW												
	2044732134	OFF-WHITE	BLACK												
	2044732234		OFF-WHITE												
	2044733234	BLUE	OFF-WHITE												
2044733334	BLUE														
2044733434	YELLOW														
2044734234	YELLOW	OFF-WHITE													

THIS DRAWING CONTAINS INFORMATION THAT IS PROPRIETARY TO MOLEX ELECTRONIC TECHNOLOGIES, LLC AND SHOULD NOT BE USED WITHOUT WRITTEN PERMISSION											
DIMENSION UNITS	SCALE	CURRENT REV DESC: ADD UDIMM OPTION AND P/N: 2044734230/4234									
mm	NTS	molex									
GENERAL TOLERANCES (UNLESS SPECIFIED)		DDR5 R/UDIMM, 0.85MM PITCH 288 CKTS, VERTICAL SMT									
ANGULAR TOL ± 3.0°		PRODUCT CUSTOMER DRAWING									
4 PLACES ±	±	EC NO: 700854		DRWN: SKANG 2022/02/22		CHK'D: EKSOH 2022/03/25		APPR: SHLENI 2022/03/29		INITIAL REVISION:	
3 PLACES ±	±	DRWN: KUCHILA 2017/08/31		APPR: SHLENI 2018/01/19		DOCUMENT NUMBER		DOC TYPE		DOC PART	
2 PLACES ±	± 0.2	DRWN: KUCHILA 2017/08/31		APPR: SHLENI 2018/01/19		2044730000		PSD		000 C1	
1 PLACE ±	±	DRWN: KUCHILA 2017/08/31		APPR: SHLENI 2018/01/19		MATERIAL NUMBER		CUSTOMER		SHEET NUMBER	
0 PLACES ±	±	DRWN: KUCHILA 2017/08/31		APPR: SHLENI 2018/01/19		SEE TABLE		GENERAL MARKET		6 OF 7	
DRAFT WHERE APPLICABLE MUST REMAIN WITHIN DIMENSIONS		THIRD ANGLE PROJECTION		DRAWING		SERIES		MATERIAL NUMBER		CUSTOMER	
				A3-SIZE		204473					

UDIMM OPTION

CKT SIZE	ASSEMBLY PART NO.	HOUSING COLOUR	LATCH COLOUR	P&P OPTION	DIM"P"	DIM"D"	DIM"D1"	DIM"D2"	DIM"D3"	DIM"D4"	DIM"D5"	PLATING OPTION		PRODUCT SPEC. NO.	PACKAGING SPEC. NO.
												TERMINAL	METAL TAB		
288	2044731118	BLACK	BLACK	NO	2.00	1.425	1.85	70.40	67.55	0.94	3.39	0.76 MICROMETER (30 MICROINCH) MIN GOLD ON CONTACT 2.54 MICROMETER (100 MICROINCH) MIN TIN ON SOLDER TAILS 1.27 MICROMETER (50 MICROINCH) MIN NICKEL UNDERPLATE	2044730001-PS	2044730003 (HARD TRAY)	
	2044731218		OFF-WHITE												
	2044731418		YELLOW												
	2044732118	OFF-WHITE	BLACK												
	2044732218		OFF-WHITE												
	2044733218	BLUE	OFF-WHITE												
	2044733318		BLUE												
	2044734218	YELLOW	OFF-WHITE												
	2044731110	BLACK	BLACK												YES
	2044731210		OFF-WHITE												
	2044731310		BLUE												
	2044732110	OFF-WHITE	BLACK												
	2044732210		OFF-WHITE												
	2044733110	BLUE	BLACK												
	2044733210		OFF-WHITE												
	2044733310	BLUE	BLUE												
	2044731138	BLACK	BLACK	NO											
	2044731238		OFF-WHITE												
	2044732138	OFF-WHITE	BLACK												
	2044732238		OFF-WHITE												
	2044733338	BLUE	BLUE												
	2044734238	YELLOW	OFF-WHITE												
	2044731130	BLACK	BLACK	YES											
	2044731230		OFF-WHITE												
	2044731430		YELLOW												
	2044732130	OFF-WHITE	BLACK												
	2044732230		OFF-WHITE												
	2044733230	BLUE	OFF-WHITE												
2044733330	BLUE														
2044733430	YELLOW														
2044734230	YELLOW	OFF-WHITE													

THIS DRAWING CONTAINS INFORMATION THAT IS PROPRIETARY TO MOLEX ELECTRONIC TECHNOLOGIES, LLC AND SHOULD NOT BE USED WITHOUT WRITTEN PERMISSION										
DIMENSION UNITS	SCALE	CURRENT REV DESC: ADD UDIMM OPTION AND P/N: 2044734230/4234								
mm	NTS	molex								
GENERAL TOLERANCES (UNLESS SPECIFIED)		DDR5 R/UDIMM, 0.85MM PITCH 288 CKTS, VERTICAL SMT								
ANGULAR TOL ± 3.0 °		PRODUCT CUSTOMER DRAWING								
4 PLACES ±		EC NO: 700854	DRWN: SKANG		2022/02/22					
3 PLACES ±		CHK'D: EKSOH	2022/03/25							
2 PLACES ± 0.2		APPR: SHLENI	2022/03/29							
1 PLACE ±		INITIAL REVISION:								
0 PLACES ±		DRWN: KUCHILA	2017/08/31							
		APPR: SHLENI	2018/01/19							
DRAFT WHERE APPLICABLE MUST REMAIN WITHIN DIMENSIONS		THIRD ANGLE PROJECTION	DRAWING	SERIES	MATERIAL NUMBER	CUSTOMER	DOCUMENT NUMBER	DOC TYPE	DOC PART	REVISION
			A3-SIZE	204473	2044730000	GENERAL MARKET	2044730000	PSD	000	C1