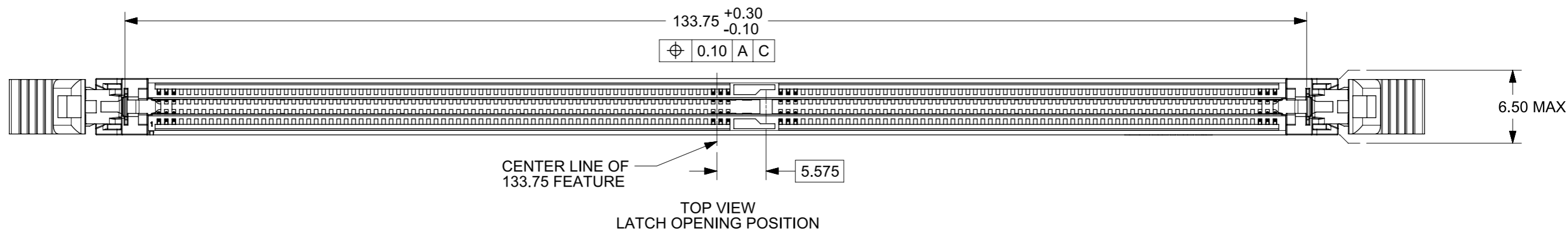


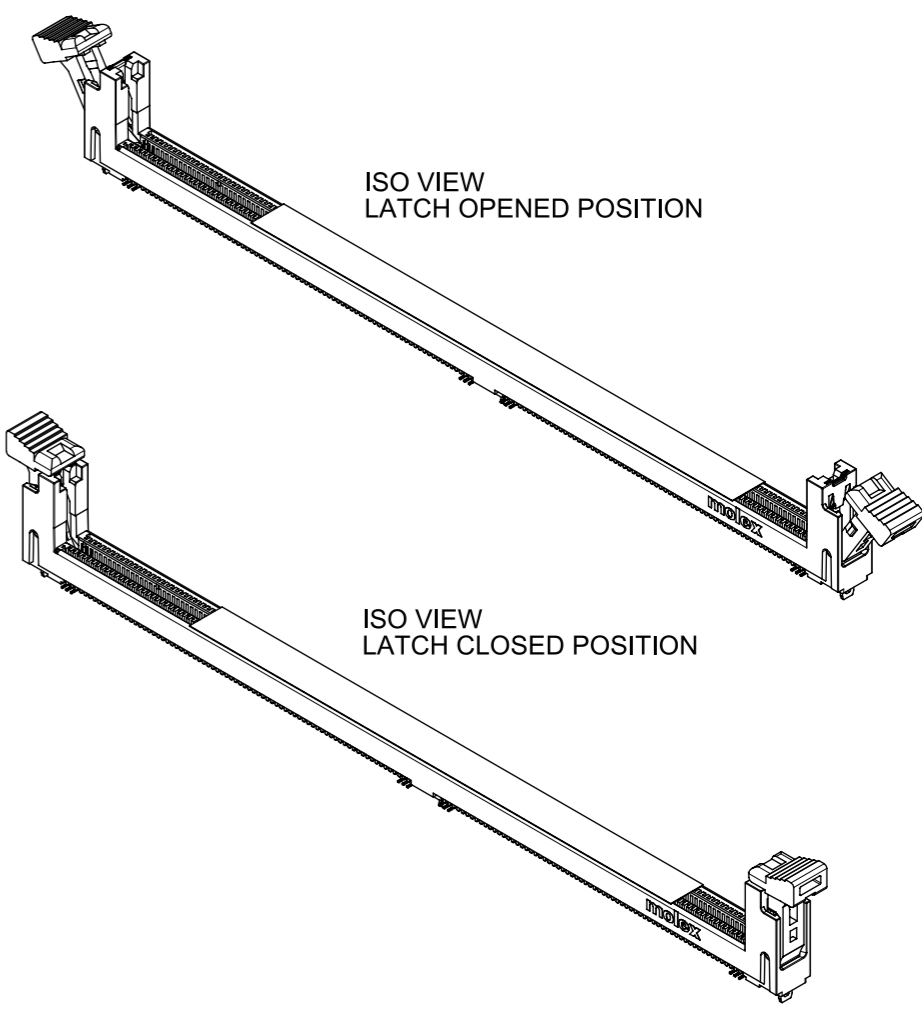
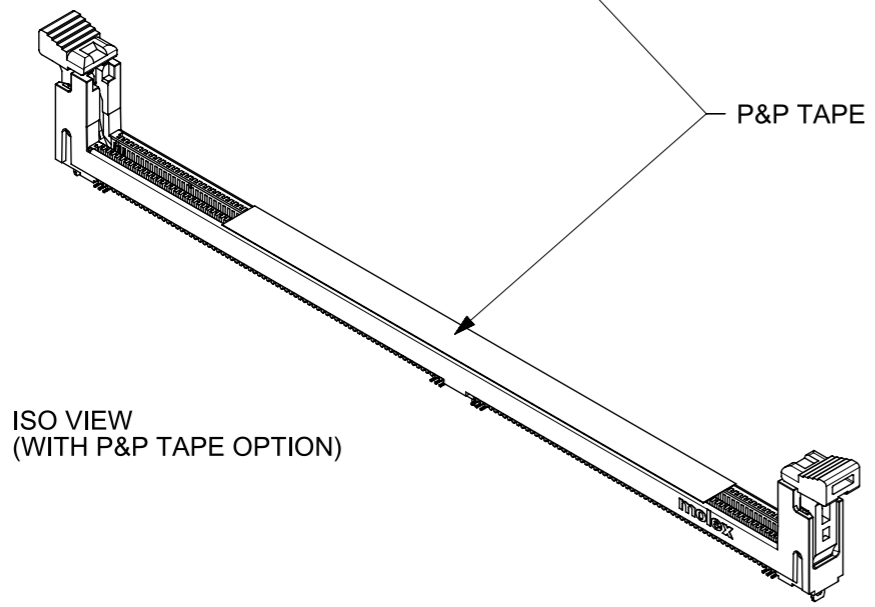
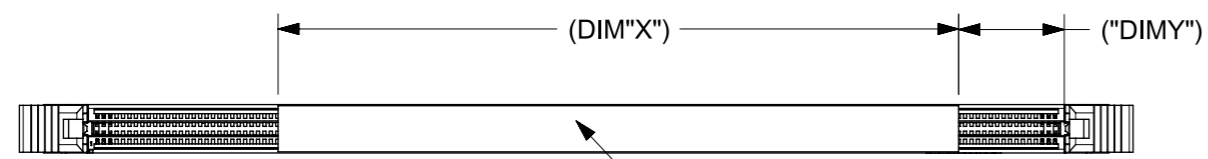
- NOTES:
- MATERIAL : HOUSING - HALOGEN FREE HIGH TEMP POLYAMIDE, GLASS FILLED, UL94V-0.  
COLOUR : SEE TABLE ON SHEET 5.  
LATCH - HALOGEN FREE HIGH TEMP POLYAMIDE, GLASS FILLED, UL94V-0.  
COLOUR : SEE TABLE ON SHEET 5.  
TERMINAL : COPPER ALLOY.  
METALTAB: COPPER ALLOY.
  - FINISHES - SEE TABLE ON SHEET 5.
  - PRODUCT SPECIFICATION : SEE TABLE ON SHEET 5.
  - PACKAGING SPECIFICATION: PRODUCT SHALL BE PACKED IN TRAY, SEE SHEET 5
  - CARD SLOT ACCEPTS 1.40±0.10MM MODULE THICKNESS (MEASURED OVER P.C. PADS).
  - MOLEX LOGO, DATE & PART NO. INDICATED ON HOUSING.
  - MODULE SEATING PLANE.
  - KEEP OUT ZONE RESERVED FOR LATCH.
  - KEEP OUT AREA IS THE AREA WHERE THE CONNECTOR (INCLUDES LATCHES IN OPENING POSITION) IS MOUNTED ON THE PCB.
  - REFER TO AS-78730-001 FOR CONNECTOR APPLICATION GUIDELINE.
  - REFER TO AS-78730-002 FOR PCB ROUTING RECOMMENDATIONS.

THIS DESIGN IS BASED ON DESIGN OBJECTIVES AND IS STRICTLY TENTATIVE. IT MAY CHANGE BASED ON RESULTS OF ADDITIONAL DESIGN REVIEWS AND VERIFICATIONS.

THIS DRAWING CONTAINS INFORMATION THAT IS PROPRIETARY TO MOLEX ELECTRONIC TECHNOLOGIES, LLC AND SHOULD NOT BE USED WITHOUT WRITTEN PERMISSION		CURRENT REV DESC:		<b>molex</b>			
DIMENSION UNITS	SCALE	EC NO: 674190				DOCUMENT NUMBER	DOC TYPE
mm	NTS	DRWN: CCHEN103 2021/07/20		2128250001 PSD 000 A5			
GENERAL TOLERANCES (UNLESS SPECIFIED)		CHK'D: SHLENI 2021/08/31		PRODUCT CUSTOMER DRAWING			
ANGULAR TOL ± 3.0 °		APPR: SHLENI 2021/08/31		INITIAL REVISION:			
4 PLACES ±		DRWN: SKANG 2019/04/10		MATERIAL NUMBER			
3 PLACES ±		APPR: SHLENI 2019/04/24		CUSTOMER			
2 PLACES ± 0.2		DRAFT WHERE APPLICABLE MUST REMAIN WITHIN DIMENSIONS		SEE TABLE			
1 PLACE ±		THIRD ANGLE PROJECTION		GENERAL MARKET			
0 PLACES ±		DRAWING		SHEET NUMBER			
SERIES		A3-SIZE		1 OF 5			
212825		212825					

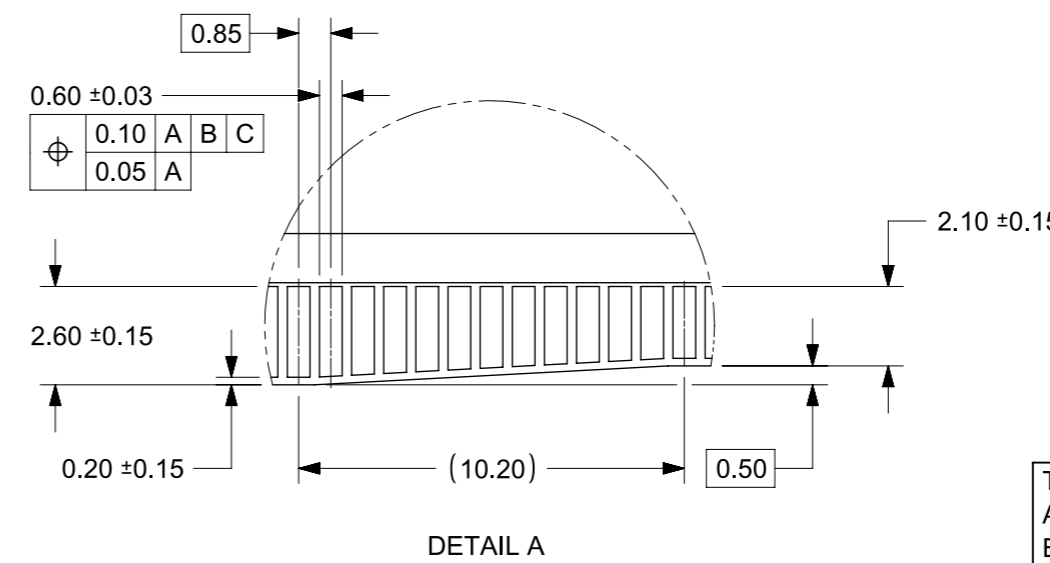
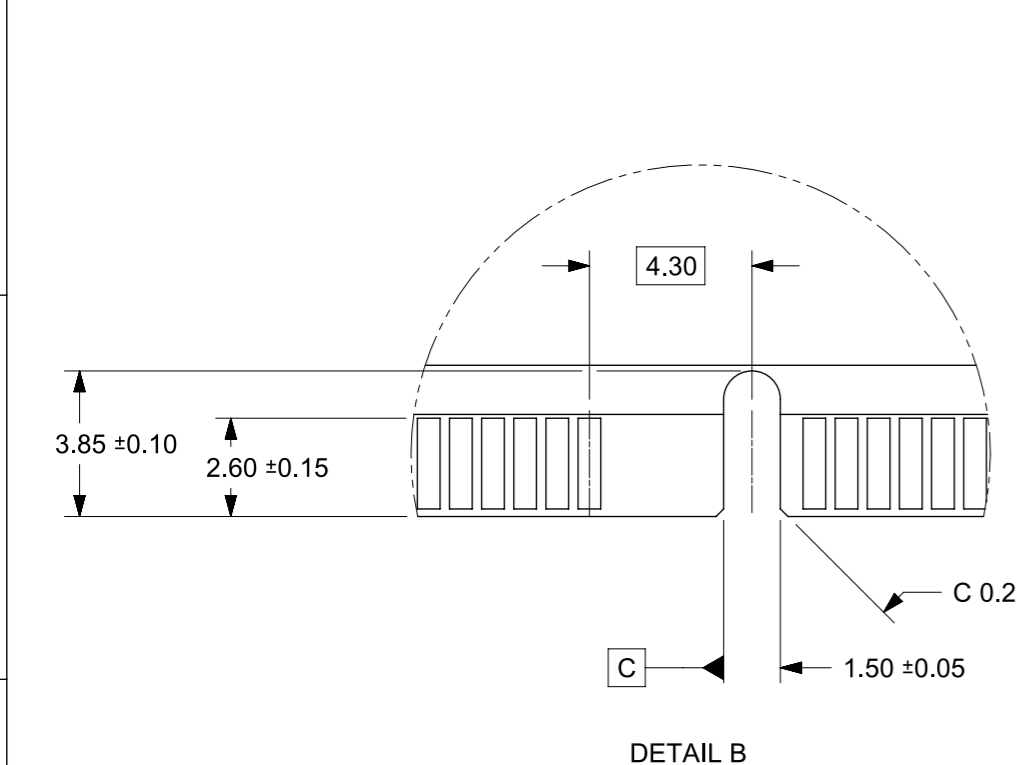
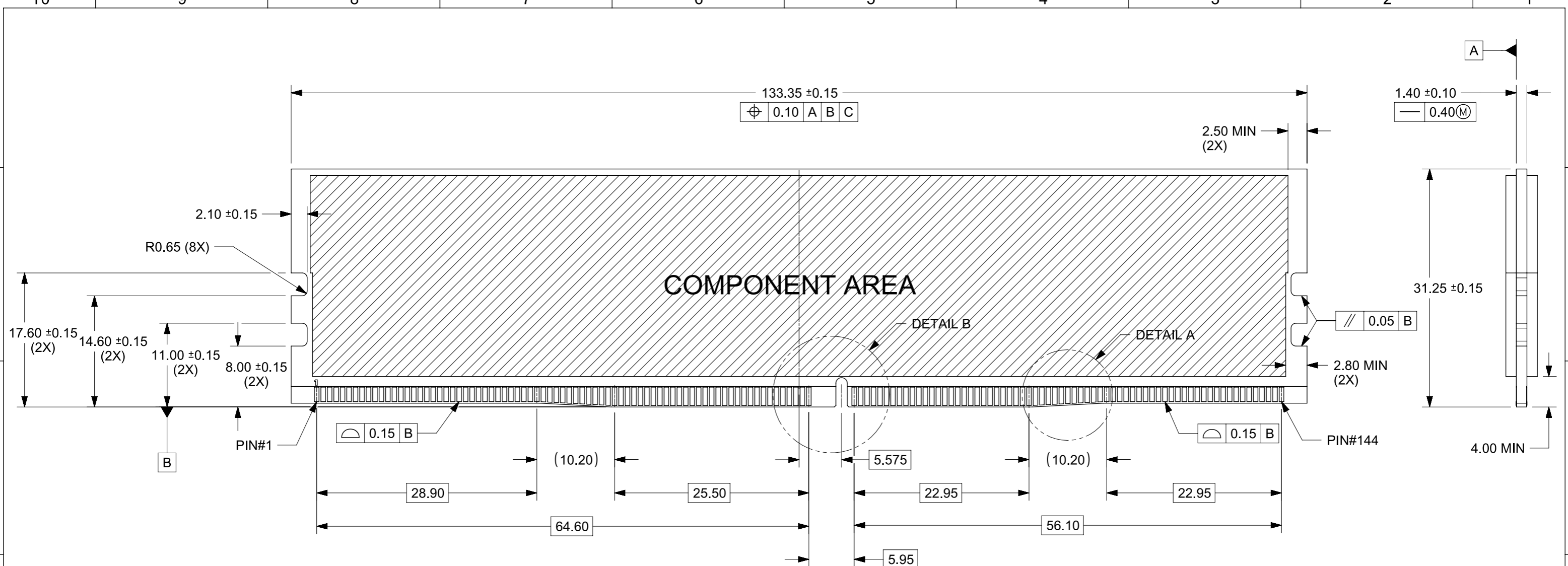


VIEWS WITH P&P TAPE OPTION



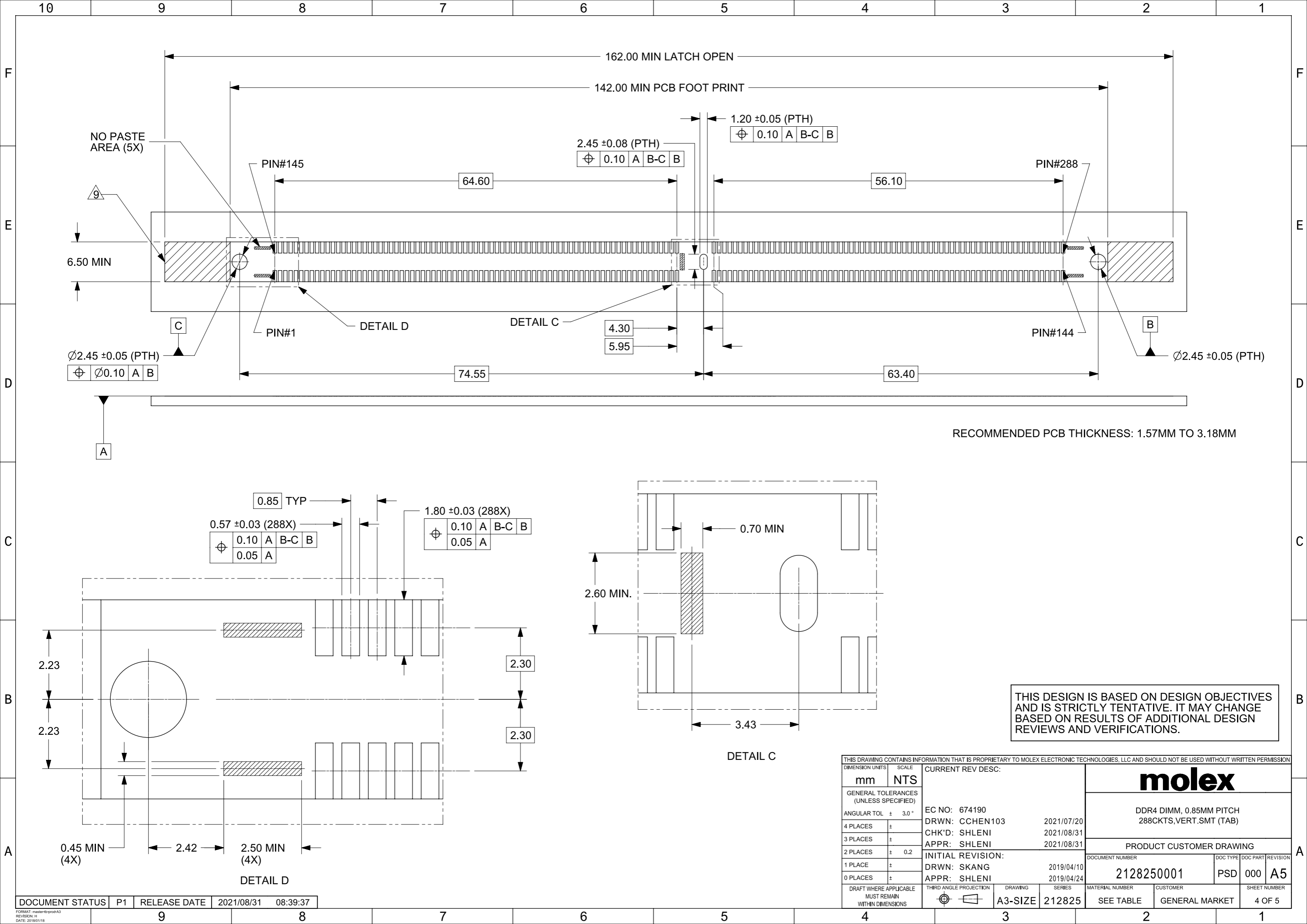
THIS DESIGN IS BASED ON DESIGN OBJECTIVES AND IS STRICTLY TENTATIVE. IT MAY CHANGE BASED ON RESULTS OF ADDITIONAL DESIGN REVIEWS AND VERIFICATIONS.

THIS DRAWING CONTAINS INFORMATION THAT IS PROPRIETARY TO MOLEX ELECTRONIC TECHNOLOGIES, LLC AND SHOULD NOT BE USED WITHOUT WRITTEN PERMISSION		CURRENT REV DESC:		<b>molex</b>	
DIMENSION UNITS	SCALE				
mm	NTS			DDR4 DIMM, 0.85MM PITCH 288CKTS,VERT.SMT (TAB)	
GENERAL TOLERANCES (UNLESS SPECIFIED)		EC NO: 674190		PRODUCT CUSTOMER DRAWING	
ANGULAR TOL	± 3.0 °	DRWN: CCHEN103	2021/07/20	DOCUMENT NUMBER	
4 PLACES	±	CHK'D: SHLENI	2021/08/31	2128250001	
3 PLACES	±	APPR: SHLENI	2021/08/31	DOC TYPE	DOC PART
2 PLACES	± 0.2	INITIAL REVISION:		PSD	000
1 PLACE	±	DRWN: SKANG	2019/04/10	REVISION	
0 PLACES	±	APPR: SHLENI	2019/04/24	A5	
DRAFT WHERE APPLICABLE MUST REMAIN WITHIN DIMENSIONS		THIRD ANGLE PROJECTION	DRAWING	SERIES	MATERIAL NUMBER
			A3-SIZE	212825	SEE TABLE
				CUSTOMER	SHEET NUMBER
				GENERAL MARKET	2 OF 5



THIS DESIGN IS BASED ON DESIGN OBJECTIVES AND IS STRICTLY TENTATIVE. IT MAY CHANGE BASED ON RESULTS OF ADDITIONAL DESIGN REVIEWS AND VERIFICATIONS.

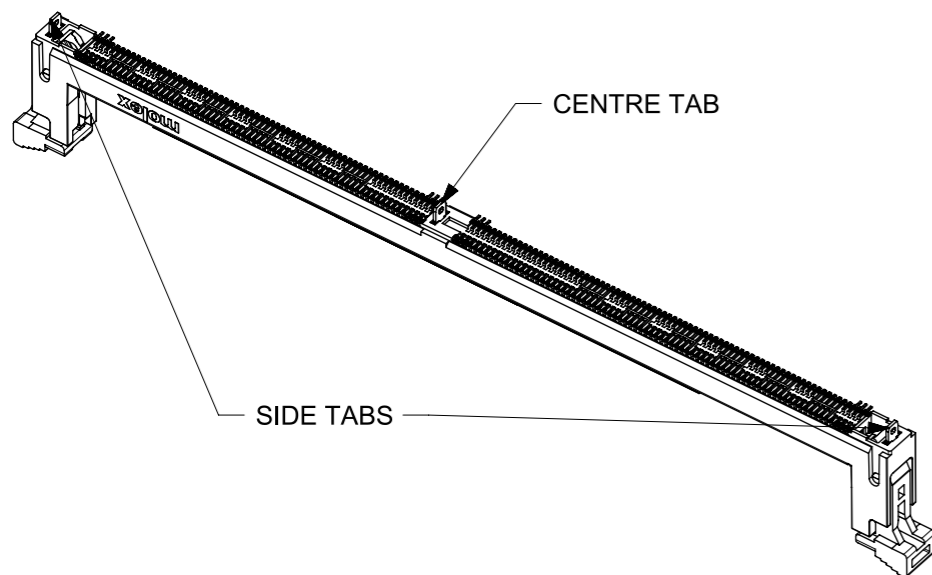
THIS DRAWING CONTAINS INFORMATION THAT IS PROPRIETARY TO MOLEX ELECTRONIC TECHNOLOGIES, LLC AND SHOULD NOT BE USED WITHOUT WRITTEN PERMISSION									
DIMENSION UNITS: mm		SCALE: NTS		CURRENT REV DESC:				<b>molex</b>	
GENERAL TOLERANCES (UNLESS SPECIFIED)		ANGULAR TOL ± 3.0°		EC NO: 674190					
4 PLACES ±		3 PLACES ±		DRWN: CCHEN103		2021/07/20		DDR4 DIMM, 0.85MM PITCH 288CKTS, VERT. SMT (TAB)	
2 PLACES ± 0.2		1 PLACE ±		CHK'D: SHLENI		2021/08/31		PRODUCT CUSTOMER DRAWING	
0 PLACES ±		DRAFT WHERE APPLICABLE MUST REMAIN WITHIN DIMENSIONS		APPR: SHLENI		2021/08/31		DOCUMENT NUMBER: 2128250001	
THIRD ANGLE PROJECTION		DRAWING: A3-SIZE		SERIES: 212825		MATERIAL NUMBER: SEE TABLE		CUSTOMER: GENERAL MARKET	
SHEET NUMBER: 3 OF 5		REVISION: 000		DATE: 2019/04/10		DATE: 2019/04/24		DOC TYPE: PSD	



DOCUMENT STATUS	P1	RELEASE DATE	2021/08/31	08:39:37
-----------------	----	--------------	------------	----------

THIS DRAWING CONTAINS INFORMATION THAT IS PROPRIETARY TO MOLEX ELECTRONIC TECHNOLOGIES, LLC AND SHOULD NOT BE USED WITHOUT WRITTEN PERMISSION		CURRENT REV DESC:		<b>molex</b>	
DIMENSION UNITS	SCALE				
mm	NTS			DDR4 DIMM, 0.85MM PITCH 288CKTS,VERT.SMT (TAB)	
GENERAL TOLERANCES (UNLESS SPECIFIED)		EC NO: 674190		PRODUCT CUSTOMER DRAWING	
ANGULAR TOL	± 3.0 °	DRWN: CCHEN103	2021/07/20	DOCUMENT NUMBER	DOC TYPE DOC PART REVISION
4 PLACES	±	CHK'D: SHLENI	2021/08/31	2128250001	PSD 000 A5
3 PLACES	±	APPR: SHLENI	2021/08/31		
2 PLACES	± 0.2	INITIAL REVISION:			
1 PLACE	±	DRWN: SKANG	2019/04/10		
0 PLACES	±	APPR: SHLENI	2019/04/24		
DRAFT WHERE APPLICABLE MUST REMAIN WITHIN DIMENSIONS	THIRD ANGLE PROJECTION	DRAWING	SERIES	MATERIAL NUMBER	CUSTOMER
		A3-SIZE	212825	SEE TABLE	GENERAL MARKET
		SHEET NUMBER	4 OF 5		

10	9	8	7	6	5	4	3	2	1		
										CKT SIZE	ASSEMBLY PART NO.
SIDE TAB	CENTRE TAB	TERMINAL	METAL TAB								
F	288	2128251502	BLACK	BLACK	NO	2.00	2.10	CONTACT AREA 0.76µM/30µIN MIN GOLD ON CONTACT  2.54µM/100µIN MIN NICKEL UNDERPLATE	1 MICROMETER (40 MICRORINCH) MIN TIN OVERALL (PRE-PLATED)	PS-78730-001	PK-78730-001
		2128251503		OFF-WHITE							
		2128251504	OFF-WHITE	BLACK							
		2128251505		OFF-WHITE							
		2128251506	BLUE	BLACK							
		2128251507		OFF-WHITE							
		2128252502	BLACK	BLACK							
		2128252503		OFF-WHITE							
		2128252504	OFF-WHITE	BLACK							
		2128252505		OFF-WHITE							
2128252506	BLUE	BLACK									
2128252507		OFF-WHITE									
E	288	2128251652	BLACK	BLACK	NO	2.00	2.10	CONTACT AREA 0.76µM/30µIN MIN GOLD ON CONTACT  2.54µM/100µIN MIN NICKEL UNDERPLATE	1 MICROMETER (40 MICRORINCH) MIN TIN OVERALL (PRE-PLATED)	PS-78730-001	PK-78730-001
		2128251653		OFF-WHITE							
		2128251654	OFF-WHITE	BLACK							
		2128251655		OFF-WHITE							
		2128251658	YELLOW	OFF-WHITE							
		2128252652	BLACK	BLACK							
		2128252653		OFF-WHITE							
		2128252654	OFF-WHITE	BLACK							
		2128252655		OFF-WHITE							
		2128252656	BLUE	BLUE							
2128252657	BLUE	OFF-WHITE									
D	288	2128252658	YELLOW	OFF-WHITE	YES (X=60mm, Y=28.97mm)	2.00	2.10	CONTACT AREA 0.76µM/30µIN MIN GOLD ON CONTACT  2.54µM/100µIN MIN NICKEL UNDERPLATE	1 MICROMETER (40 MICRORINCH) MIN TIN OVERALL (PRE-PLATED)	PS-78730-001	PK-78730-001
		2128253652	BLACK	BLACK							
		2128253656	BLUE	BLUE							
		2128253653	BLACK	OFF-WHITE							
		2128253654	OFF-WHITE	BLACK							
		2128253655		OFF-WHITE							
		2128253657	BLUE	OFF-WHITE							
		2128253658	YELLOW	OFF-WHITE							
		2128253659	BLACK	YELLOW							
		2128253660	BLUE	YELLOW							
C	288	2128253652	BLACK	BLACK	YES (X=90mm, Y=19.54mm)	2.00	2.10	CONTACT AREA 0.38µM/15µIN GOLD ON CONTACT  2.54µM/100µIN MIN NICKEL UNDERPLATE	1 MICROMETER (40 MICRORINCH) MIN TIN OVERALL (PRE-PLATED)	PS-78730-002	PK-78730-001
		2128253656	BLUE	BLUE							
		2128253653	BLACK	OFF-WHITE							
		2128253654	OFF-WHITE	BLACK							
		2128253655		OFF-WHITE							
		2128253657	BLUE	OFF-WHITE							
		2128253658	YELLOW	OFF-WHITE							
		2128253659	BLACK	YELLOW							
		2128253660	BLUE	YELLOW							



THIS DESIGN IS BASED ON DESIGN OBJECTIVES AND IS STRICTLY TENTATIVE. IT MAY CHANGE BASED ON RESULTS OF ADDITIONAL DESIGN REVIEWS AND VERIFICATIONS.

THIS DRAWING CONTAINS INFORMATION THAT IS PROPRIETARY TO MOLEX ELECTRONIC TECHNOLOGIES, LLC AND SHOULD NOT BE USED WITHOUT WRITTEN PERMISSION											
DIMENSION UNITS		SCALE		CURRENT REV DESC:						<b>molex</b>	
mm		NTS									
GENERAL TOLERANCES (UNLESS SPECIFIED)				EC NO: 674190						DDR4 DIMM, 0.85MM PITCH	
ANGULAR TOL ± 3.0°				DRWN: CCHEN103 2021/07/20						288CKTS, VERT. SMT (TAB)	
4 PLACES ±				CHK'D: SHLENI 2021/08/31						PRODUCT CUSTOMER DRAWING	
3 PLACES ±				APPR: SHLENI 2021/08/31						DOCUMENT NUMBER	
2 PLACES ± 0.2				INITIAL REVISION:						2128250001	
1 PLACE ±				DRWN: SKANG 2019/04/10						DOC TYPE	
0 PLACES ±				APPR: SHLENI 2019/04/24						DOC PART	
DRAFT WHERE APPLICABLE MUST REMAIN WITHIN DIMENSIONS				THIRD ANGLE PROJECTION		DRAWING		SERIES		REVISION	
				A3-SIZE		212825		MATERIAL NUMBER		SHEET NUMBER	
				SEE TABLE		GENERAL MARKET		5 OF 5			