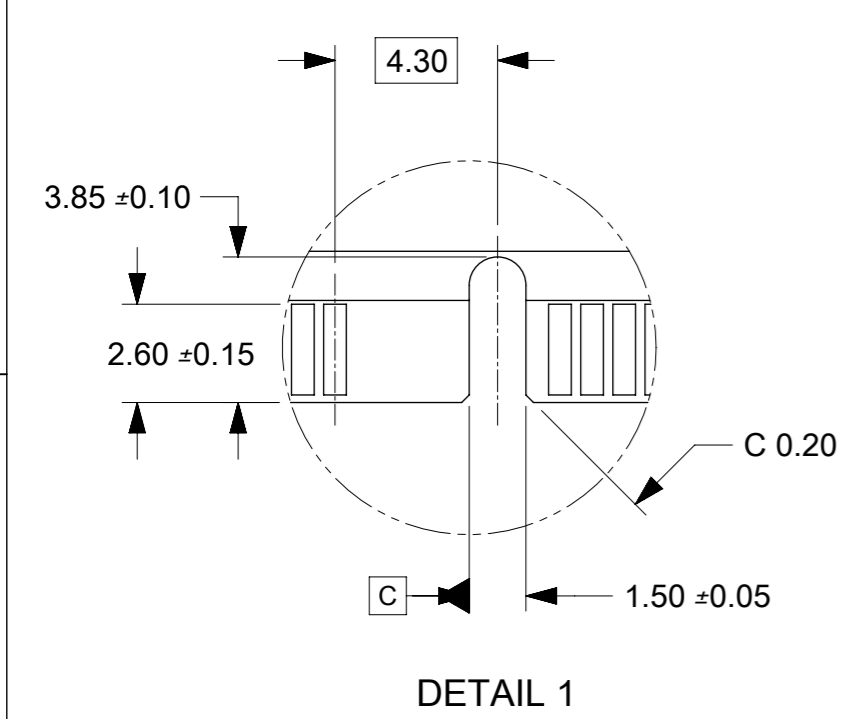
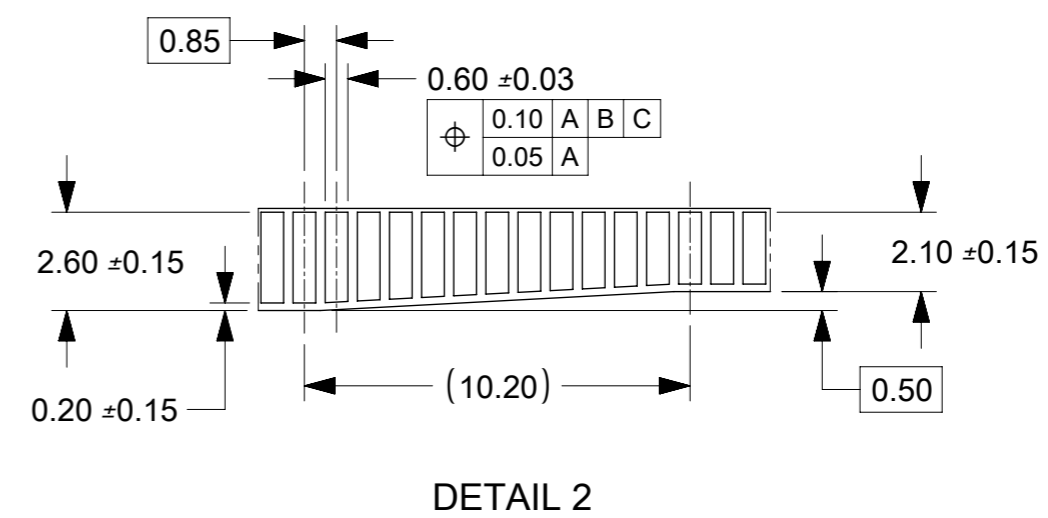
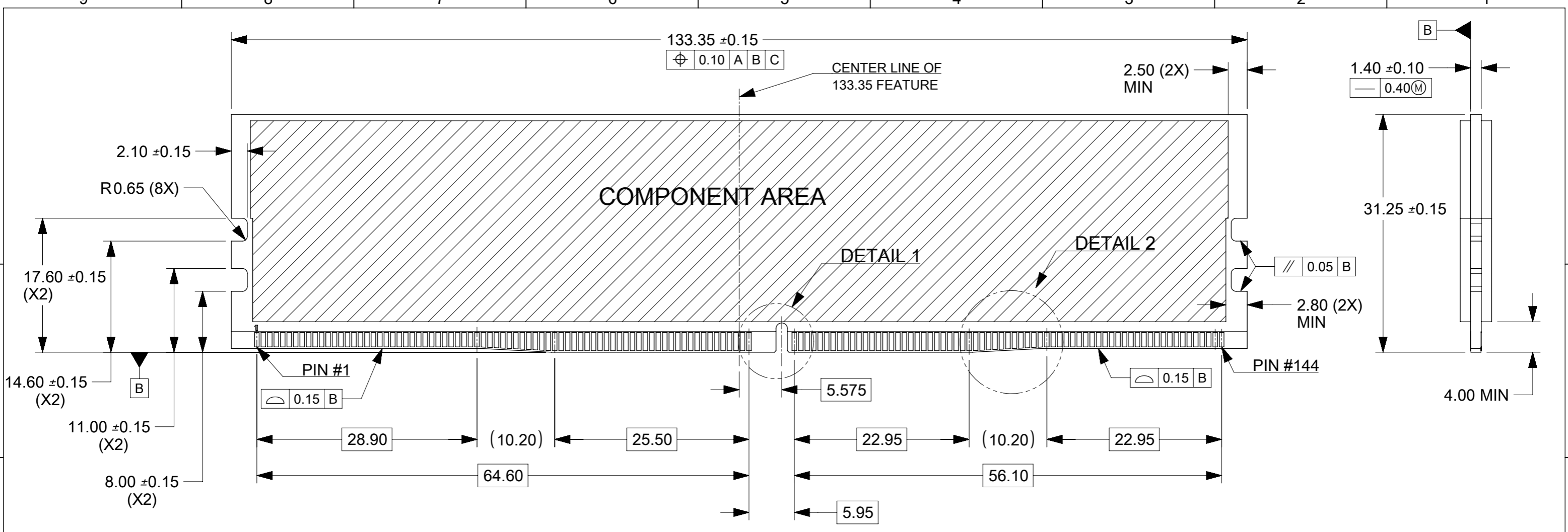
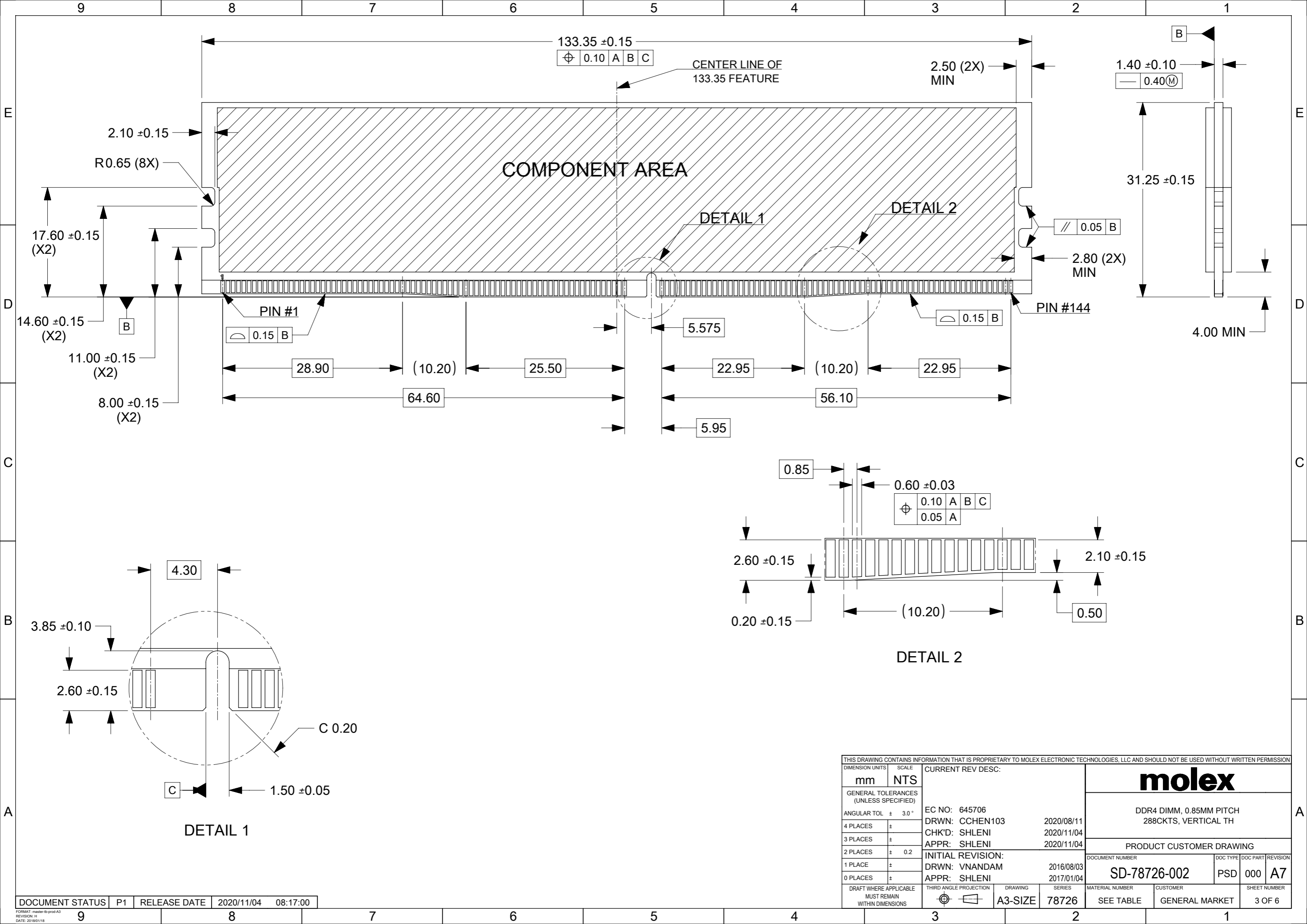


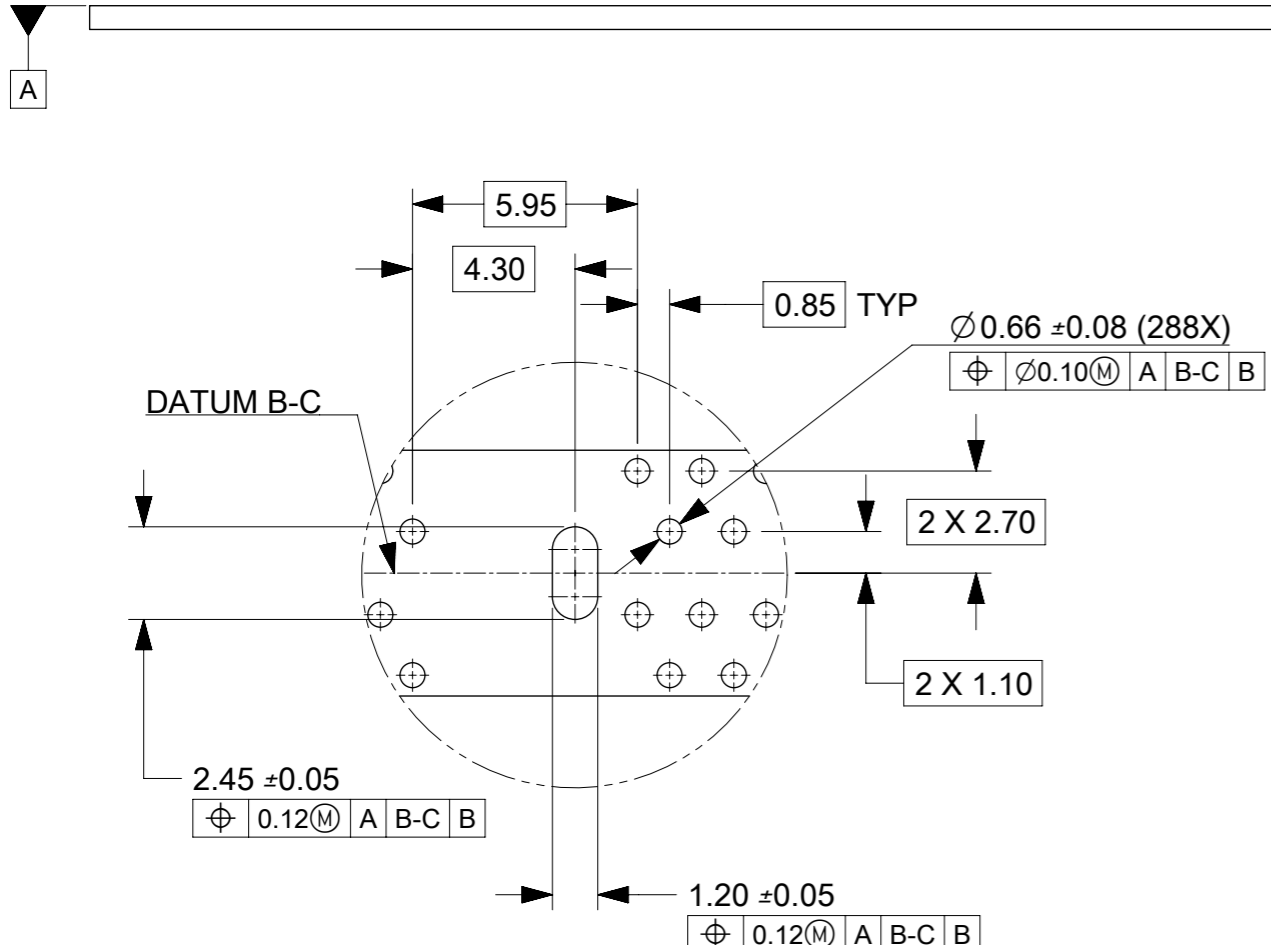
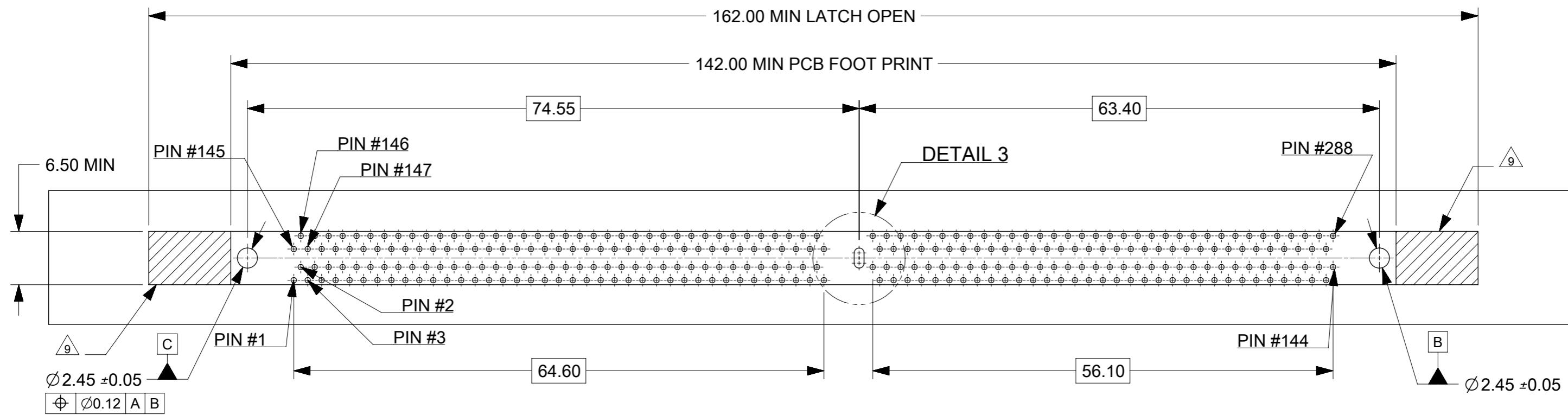
THIS DRAWING CONTAINS INFORMATION THAT IS PROPRIETARY TO MOLEX ELECTRONIC TECHNOLOGIES, LLC AND SHOULD NOT BE USED WITHOUT WRITTEN PERMISSION									
DIMENSION UNITS		SCALE		CURRENT REV DESC:				molex	
mm		NTS							
GENERAL TOLERANCES (UNLESS SPECIFIED)				EC NO: 645706					
ANGULAR TOL ± 3.0°				DRWN: CCHEN103		2020/08/11		DDR4 DIMM, 0.85MM PITCH	
4 PLACES ±				CHK'D: SHLENI		2020/11/04		288CKTS, VERTICAL TH	
3 PLACES ±				APPR: SHLENI		2020/11/04		PRODUCT CUSTOMER DRAWING	
2 PLACES ± 0.2				INITIAL REVISION:					
1 PLACE ±				DRWN: VNANDAM		2016/08/03		DOCUMENT NUMBER	
0 PLACES ±				APPR: SHLENI		2017/01/04		SD-78726-002	
DRAFT WHERE APPLICABLE MUST REMAIN WITHIN DIMENSIONS		THIRD ANGLE PROJECTION		DRAWING		SERIES		MATERIAL NUMBER	
				A3-SIZE		78726		SEE TABLE	
CUSTOMER		GENERAL MARKET		SHEET NUMBER		2 OF 6			

DOCUMENT STATUS	P1	RELEASE DATE	2020/11/04	08:17:00
-----------------	----	--------------	------------	----------



THIS DRAWING CONTAINS INFORMATION THAT IS PROPRIETARY TO MOLEX ELECTRONIC TECHNOLOGIES, LLC AND SHOULD NOT BE USED WITHOUT WRITTEN PERMISSION		CURRENT REV DESC:		molex	
DIMENSION UNITS	SCALE				
mm	NTS			DDR4 DIMM, 0.85MM PITCH 288CKTS, VERTICAL TH	
GENERAL TOLERANCES (UNLESS SPECIFIED)				PRODUCT CUSTOMER DRAWING	
ANGULAR TOL	± 3.0°	EC NO:	645706	DOCUMENT NUMBER	SD-78726-002
4 PLACES	±	DRWN:	CCHEN103	DOC TYPE	PSD
3 PLACES	±	CHK'D:	SHLENI	DOC PART	000
2 PLACES	± 0.2	APPR:	SHLENI	REVISION	A7
1 PLACE	±	INITIAL REVISION:		MATERIAL NUMBER	
0 PLACES	±	DRWN:	VNANDAM	CUSTOMER	GENERAL MARKET
DRAFT WHERE APPLICABLE MUST REMAIN WITHIN DIMENSIONS		THIRD ANGLE PROJECTION	DRAWING	SERIES	SHEET NUMBER
			A3-SIZE	78726	3 OF 6

DOCUMENT STATUS	P1	RELEASE DATE	2020/11/04	08:17:00
-----------------	----	--------------	------------	----------



THIS DRAWING CONTAINS INFORMATION THAT IS PROPRIETARY TO MOLEX ELECTRONIC TECHNOLOGIES, LLC AND SHOULD NOT BE USED WITHOUT WRITTEN PERMISSION									
DIMENSION UNITS		SCALE		CURRENT REV DESC:				molex	
mm		NTS							
GENERAL TOLERANCES (UNLESS SPECIFIED)									
ANGULAR TOL		± 3.0°		EC NO: 645706		2020/08/11		DDR4 DIMM, 0.85MM PITCH	
4 PLACES		±		DRWN: CCHEN103		2020/11/04		288CKTS, VERTICAL TH	
3 PLACES		±		CHK'D: SHLENI		2020/11/04		PRODUCT CUSTOMER DRAWING	
2 PLACES		± 0.2		APPR: SHLENI		2020/11/04		DOCUMENT NUMBER	
1 PLACE		±		INITIAL REVISION:				DOC TYPE	
0 PLACES		±		DRWN: VNANDAM		2016/08/03		DOC PART	
				APPR: SHLENI		2017/01/04		REVISION	
DRAFT WHERE APPLICABLE MUST REMAIN WITHIN DIMENSIONS		THIRD ANGLE PROJECTION		DRAWING		SERIES		MATERIAL NUMBER	
				A3-SIZE		78726		CUSTOMER	
				SEE TABLE		GENERAL MARKET		SHEET NUMBER	
								4 OF 6	


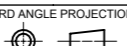
DOCUMENT STATUS	P1	RELEASE DATE	2020/11/04	08:17:00
-----------------	----	--------------	------------	----------

CKT SIZE	ASSEMBLY PART NO.	HOUSING COLOR	LATCH COLOR	DIM "P"	RECOMMENDED PCB THICKNESS	PLATING OPTION		PRODUCT SPEC. NO.	PACKAGING SPEC. NO.
						TERMINAL	FORKLOCK		
288	78726-1051	BLACK	BLACK	2.10	1.57	0.76 MICROMETER (30 MICROINCH) MIN GOLD ON CONTACT	1 MICROMETER (40 MICROINCH) MIN TIN OVERALL (PRE-PLATED)	PS-78726-001	PK-78726-001
	78726-1039			2.40	1.57				
	78726-1002			2.67	1.57				
	78726-1003			3.18	2.36				
	78726-1026			3.50	3.00				
	78726-1052	BLACK	WHITE	2.10	1.57				
	78726-1040			2.40	1.57				
	78726-1004			2.67	1.57				
	78726-1005			3.18	2.36				
	78726-1027			3.50	3.00				
	78726-1053	WHITE	BLACK	2.10	1.57				
	78726-1041			2.40	1.57				
	78726-1006			2.67	1.57				
	78726-1007			3.18	2.36				
	78726-1028			3.50	3.00				
	78726-1054	WHITE	WHITE	2.10	1.57				
	78726-1042			2.40	1.57				
	78726-1008			2.67	1.57				
	78726-1009			3.18	2.36				
	78726-1029			3.50	3.00				
	78726-1055	BLUE	BLUE	2.10	1.57				
	78726-1043			2.40	1.57				
	78726-1010			2.67	1.57				
	78726-1011			3.18	2.36				
	78726-1030			3.50	3.00				
	78726-1056	BLUE	WHITE	2.10	1.57				
	78726-1044			2.40	1.57				
	78726-1022			2.67	1.57				
	78726-1023			3.18	2.36				
	78726-1031			3.50	3.00				
	78726-1063	YELLOW	WHITE	2.10	1.57				
	78726-1064			2.40	1.57				
78726-1065	2.67			1.57					
78726-1066	3.18			2.36					
78726-1067	3.50			3.00					
78726-3005	BLACK	WHITE	3.18	2.36					
78726-3052			2.10	1.57					
78726-4039	BLACK	BLACK	2.40	1.57					
78726-4040	BLACK	WHITE	2.40	1.57					

0.76 MICROMETER (30 MICROINCH) MIN GOLD ON CONTACT

2.54 MICROMETER (100 MICROINCH) MIN TIN ON SOLDER TAILS

1.27 MICROMETER (50 MICROINCH) MIN NICKEL UNDERPLATE


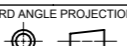
THIS DRAWING CONTAINS INFORMATION THAT IS PROPRIETARY TO MOLEX ELECTRONIC TECHNOLOGIES, LLC AND SHOULD NOT BE USED WITHOUT WRITTEN PERMISSION									
DIMENSION UNITS	SCALE	CURRENT REV DESC:							
mm	NTS	 DDR4 DIMM, 0.85MM PITCH 288CKTS, VERTICAL TH PRODUCT CUSTOMER DRAWING							
GENERAL TOLERANCES (UNLESS SPECIFIED)									
ANGULAR TOL	± 3.0°								
4 PLACES	±								
3 PLACES	±								
2 PLACES	± 0.2	EC NO: 645706	2020/08/11						
1 PLACE	±	DRWN: CCHEN103	2020/11/04						
0 PLACES	±	CHK'D: SHLENI	2020/11/04						
DRAFT WHERE APPLICABLE MUST REMAIN WITHIN DIMENSIONS		THIRD ANGLE PROJECTION		DRAWING	SERIES	MATERIAL NUMBER	CUSTOMER	DOCUMENT NUMBER	DOC TYPE
				A3-SIZE	78726	SEE TABLE	GENERAL MARKET	SD-78726-002	PSD
								000	A7
									5 OF 6

CKT SIZE	ASSEMBLY PART NO.	HOUSING COLOR	LATCH COLOR	DIM "P"	RECOMMENDED PCB THICKNESS	PLATING OPTION		PRODUCT SPEC. NO.	PACKAGING SPEC. NO.
						TERMINAL	FORKLOCK		
288	78726-1057	BLACK	BLACK	2.10	1.57	0.38 MICROMETER (15 MICROINCH) MIN GOLD ON CONTACT	1 MICROMETER (40 MICROINCH) MIN TIN OVERALL (PRE-PLATED)	PS-78726-002	PK-78726-001
	78726-1045			2.40	1.57				
	78726-1012			2.67	1.57				
	78726-1013			3.18	2.36				
	78726-1032			3.50	3.00				
	78726-1058	BLACK	WHITE	2.10	1.57				
	78726-1046			2.40	1.57				
	78726-1014			2.67	1.57				
	78726-1015			3.18	2.36				
	78726-1033			3.50	3.00				
	78726-1059	WHITE	BLACK	2.10	1.57				
	78726-1047			2.40	1.57				
	78726-1016			2.67	1.57				
	78726-1017			3.18	2.36				
	78726-1034			3.50	3.00				
	78726-1060	WHITE	WHITE	2.10	1.57				
	78726-1048			2.40	1.57				
	78726-1018			2.67	1.57				
	78726-1019			3.18	2.36				
	78726-1035			3.50	3.00				
	78726-1061	BLUE	BLUE	2.10	1.57				
	78726-1049			2.40	1.57				
	78726-1020			2.67	1.57				
	78726-1021			3.18	2.36				
	78726-1036			3.50	3.00				
	78726-1062	BLUE	WHITE	2.10	1.57				
	78726-1050			2.40	1.57				
	78726-1024			2.67	1.57				
	78726-1025			3.18	2.36				
	78726-1037			3.50	3.00				
	78726-1068	YELLOW	WHITE	2.10	1.57				
	78726-1069			2.40	1.57				
	78726-1070			2.67	1.57				
78726-1071	3.18			2.36					
78726-1072	3.50			3.00					
78726-3012	BLACK	BLACK	2.67	1.57					
78726-3032			3.50	3.00					
78726-3020	BLUE	BLUE	2.67	1.57					
78726-3036			3.50	3.00					

0.38 MICROMETER (15 MICROINCH) MIN GOLD ON CONTACT

2.54 MICROMETER (100 MICROINCH) MIN TIN ON SOLDER TAILS

1.27 MICROMETER (50 MICROINCH) MIN NICKEL UNDERPLATE

THIS DRAWING CONTAINS INFORMATION THAT IS PROPRIETARY TO MOLEX ELECTRONIC TECHNOLOGIES, LLC AND SHOULD NOT BE USED WITHOUT WRITTEN PERMISSION									
DIMENSION UNITS	SCALE	CURRENT REV DESC:							
mm	NTS								
GENERAL TOLERANCES (UNLESS SPECIFIED)		EC NO: 645706			DDR4 DIMM, 0.85MM PITCH				
ANGULAR TOL	± 3.0°	DRWN: CCHEN103 2020/08/11			288CKTS, VERTICAL TH				
4 PLACES	±	CHK'D: SHLENI 2020/11/04							
3 PLACES	±	APPR: SHLENI 2020/11/04			PRODUCT CUSTOMER DRAWING				
2 PLACES	± 0.2	INITIAL REVISION:			DOCUMENT NUMBER				
1 PLACE	±	DRWN: VNANDAM 2016/08/03			SD-78726-002				
0 PLACES	±	APPR: SHLENI 2017/01/04			DOC TYPE				
DRAFT WHERE APPLICABLE MUST REMAIN WITHIN DIMENSIONS		THIRD ANGLE PROJECTION	DRAWING	SERIES	MATERIAL NUMBER	CUSTOMER	SHEET NUMBER		
			A3-SIZE	78726	SEE TABLE	GENERAL MARKET	6 OF 6		