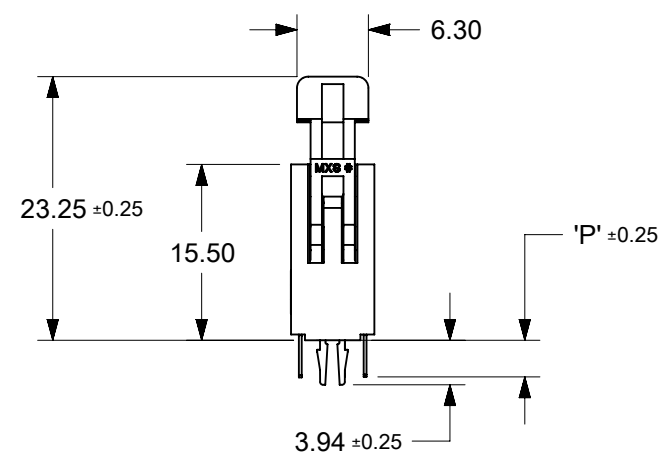
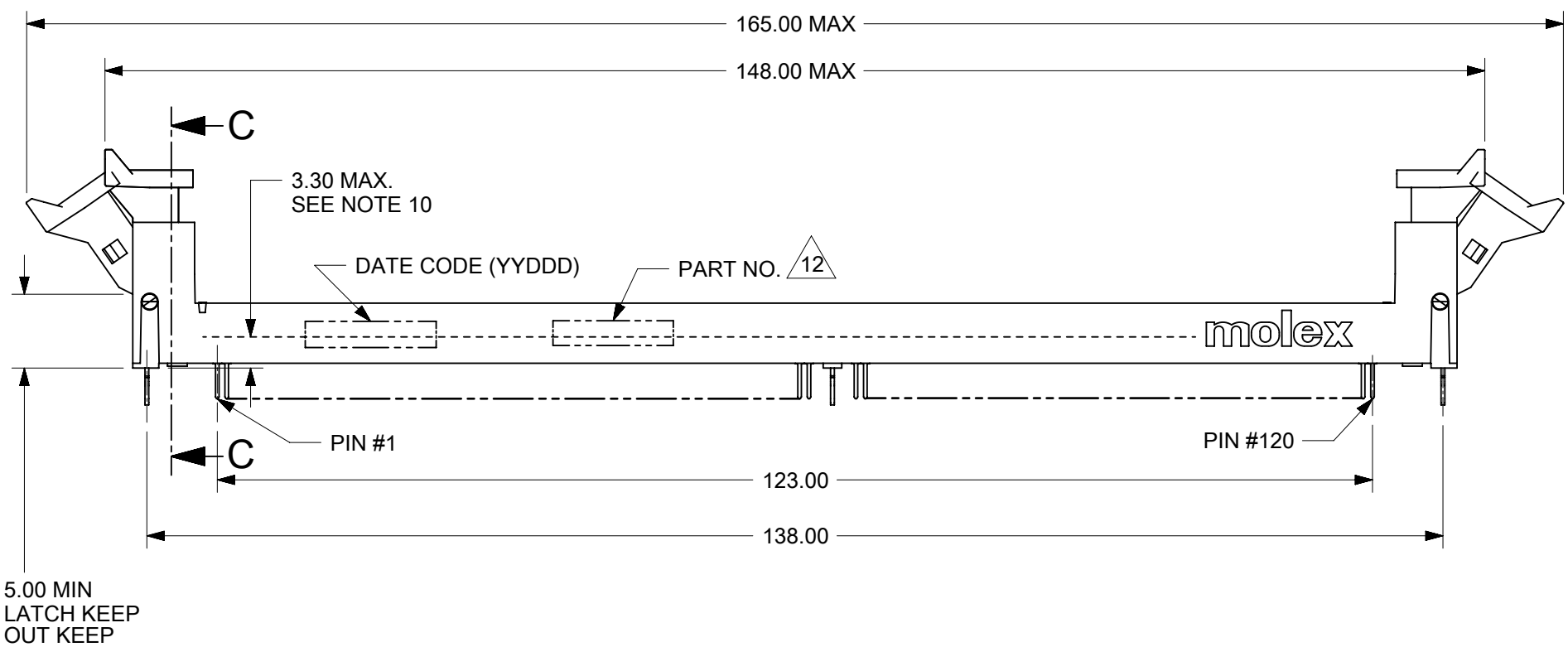
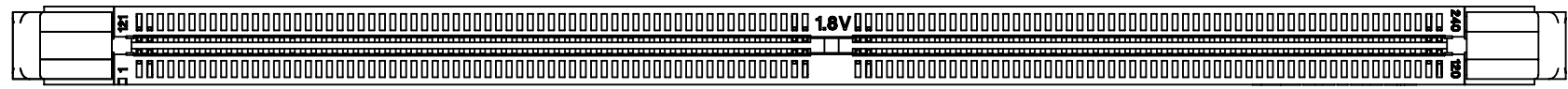
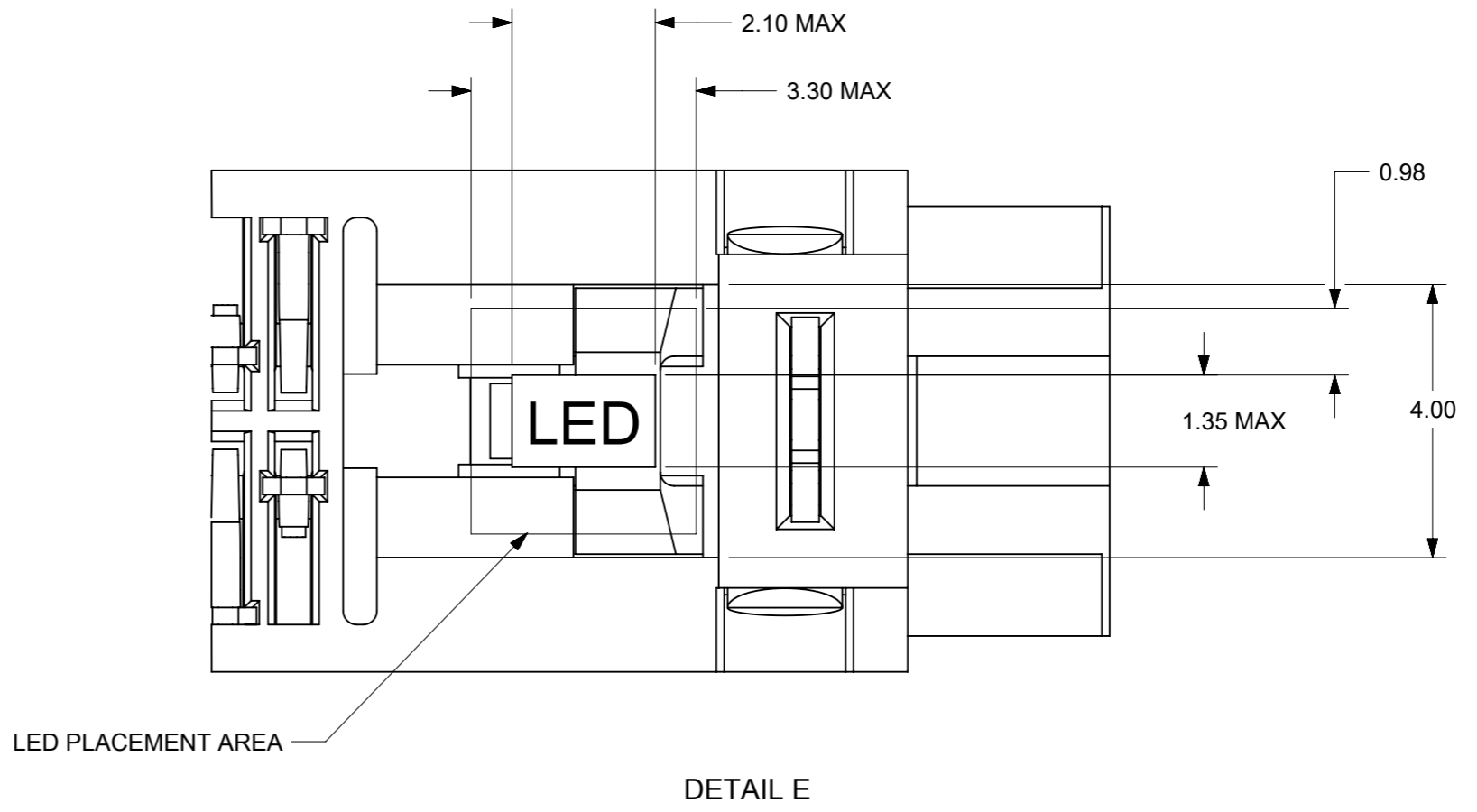
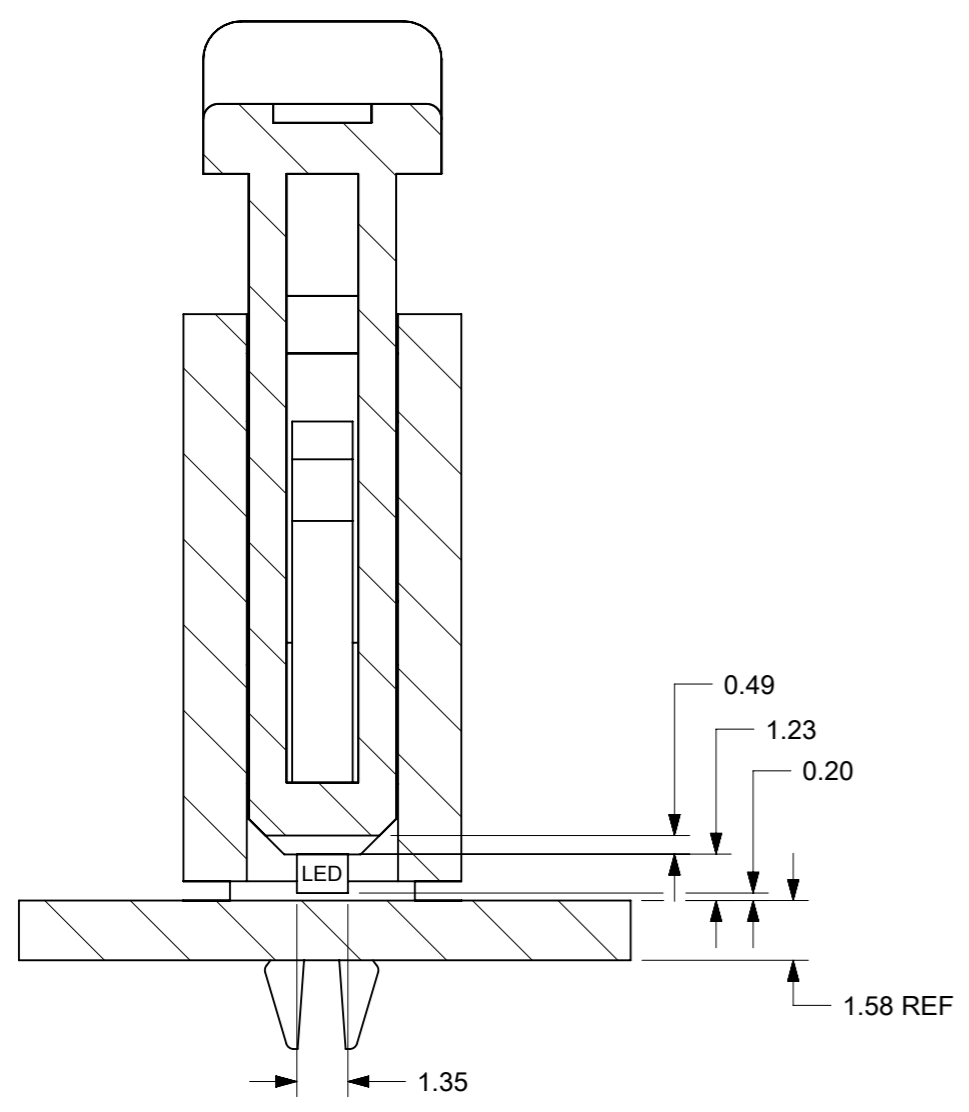
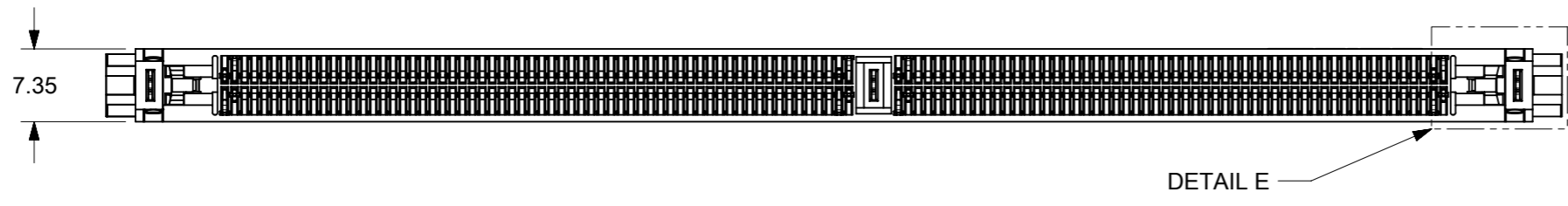


- NOTES:
- MATERIALS
HOUSING - HIGH TEMP. NYLON GLASS FILLED, UL 94V-0
COLOR: BLACK
EJECTOR - HIGH TEMP. NYLON GLASS FILLED, UL 94V-0
COLOR: SEE TABLE
TERMINAL - COPPER ALLOY
 - PLATING - SEE TABLE IN SHEET 5 & 6.
 - CARD SLOT ACCEPTS 1.27±0.10 MM MODULE THICKNESS.
(MEASURED OVER P.C. PADS)
 - RECOMMENDED MODULE LAYOUT SHALL BE AS PER JEDEC MO-237.
 - REFER TO PRODUCT SPEC. PS-87705-002 FOR PERFORMANCE SPECIFICATIONS.
 - PRODUCT SHALL BE PACKED IN TRAY.
 - PRODUCT SHALL HAVE DATE CODE STAMPED ON SIDE OF HOUSING
 - KEEP OUT AREA IS THE AREA WHERE THE CONNECTOR IS MOUNTED ONTO THE PCB WHICH DOES NOT INCLUDE THE LATCH.
 - REFER TO CRITICAL JEDEC INFORMATION FOR SOCKET OUTLINE PER SO-001.
 - DIMM MODULE SEATING PLANE FROM TOP OF PCB.
 - CONTACT MOLEX FOR AVAILABILITY OF PRODUCT OPTIONS.
 - PART NUMBER SHALL BE MARKED LEGIBLY AS 87705-****



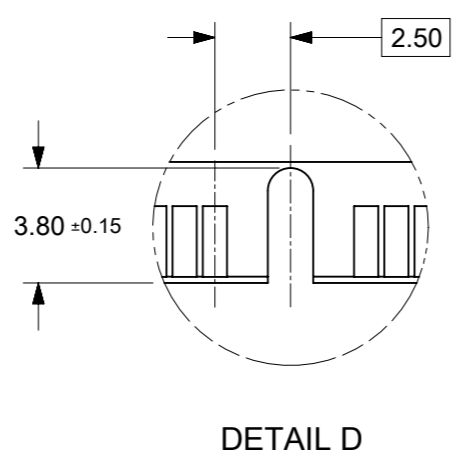
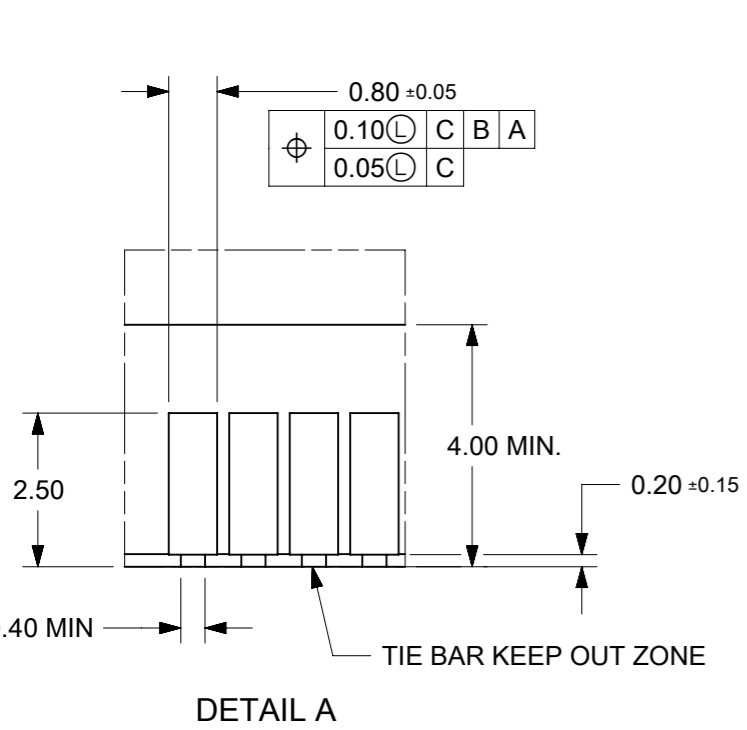
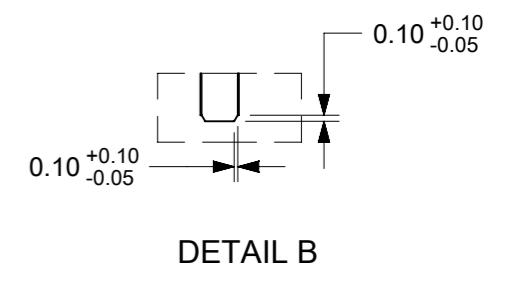
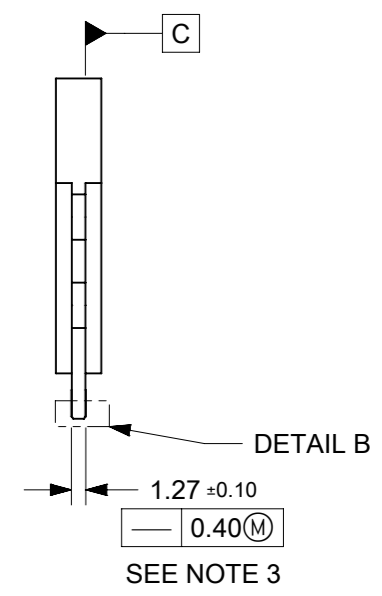
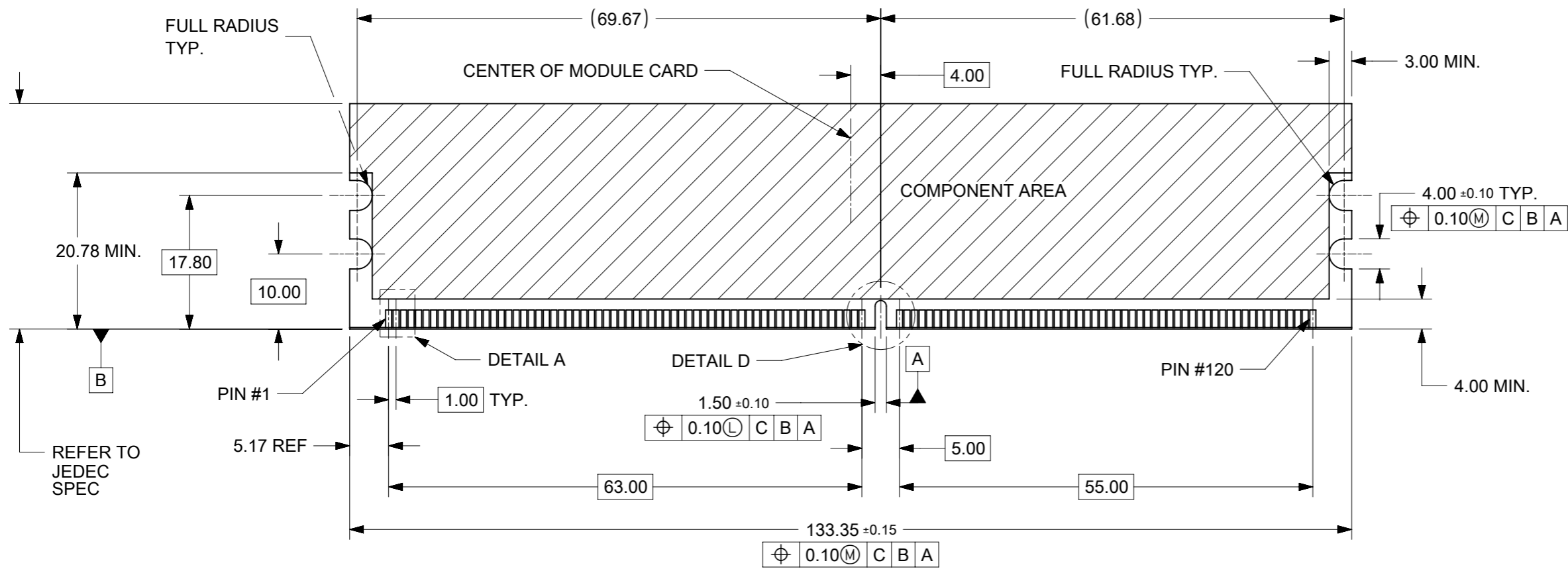
THIS DRAWING CONTAINS INFORMATION THAT IS PROPRIETARY TO MOLEX ELECTRONIC TECHNOLOGIES, LLC AND SHOULD NOT BE USED WITHOUT WRITTEN PERMISSION									
DIMENSION UNITS	SCALE	CURRENT REV DESC: OBSOLETE PART NUMBER				molex			
mm	NTS								
GENERAL TOLERANCES (UNLESS SPECIFIED)		EC NO: 655037				DDR2 DIMM, 1.00MM PITCH 240 CKTS (FORKLOCK VERSION)			
ANGULAR TOL ± 5.0°		DRWN: VLOKESHA 2021/01/11				PRODUCT CUSTOMER DRAWING			
4 PLACES ±		CHK'D: GGA 2021/03/16				DOCUMENT NUMBER			
3 PLACES ±		APPR: GGA 2021/03/16				SD-87705-001			
2 PLACES ± 0.2		INITIAL REVISION:				DOC TYPE DOC PART REVISION			
1 PLACE ±		DRWN: CGOH 2002/07/31				PSD 001 E			
0 PLACES ±		APPR: DSOH 2002/07/31							
DRAFT WHERE APPLICABLE MUST REMAIN WITHIN DIMENSIONS		THIRD ANGLE PROJECTION	DRAWING	SERIES	MATERIAL NUMBER	CUSTOMER	SHEET NUMBER		
			B-SIZE	87705	SEE TABLE	GENERAL MARKET	1 OF 6		



THIS DRAWING CONTAINS INFORMATION THAT IS PROPRIETARY TO MOLEX ELECTRONIC TECHNOLOGIES, LLC AND SHOULD NOT BE USED WITHOUT WRITTEN PERMISSION									
DIMENSION UNITS		SCALE		CURRENT REV DESC: OBSOLETE PART NUMBER				molex	
mm		NTS							
GENERAL TOLERANCES (UNLESS SPECIFIED)				EC NO: 655037		2021/01/11		DDR2 DIMM, 1.00MM PITCH 240 CKTS (FORKLICK VERSION)	
		MM	INCH	DRWN: VLOKESHA		2021/03/16			
4 PLACES		±	±	CHK'D: GGA		2021/03/16		PRODUCT CUSTOMER DRAWING	
3 PLACES		±	±	APPR: GGA		2021/03/16			
2 PLACES		± 0.2	±	INITIAL REVISION:					
1 PLACE		±	±	DRWN: CGDH		2002/05/09		DOCUMENT NUMBER	
0 PLACES		±	±	APPR: SKTOH		2002/07/23		SD-87705-001	
ANGULAR TOL		± 5.0°		DRAWING		SERIES		MATERIAL NUMBER	
DRAFT WHERE APPLICABLE MUST REMAIN WITHIN DIMENSIONS		THIRD ANGLE PROJECTION		DRAWING		SERIES		CUSTOMER	
		A3-SIZE		87705		SEE TABLE		GENERAL MARKET	
								SHEET NUMBER	
								2 OF 6	

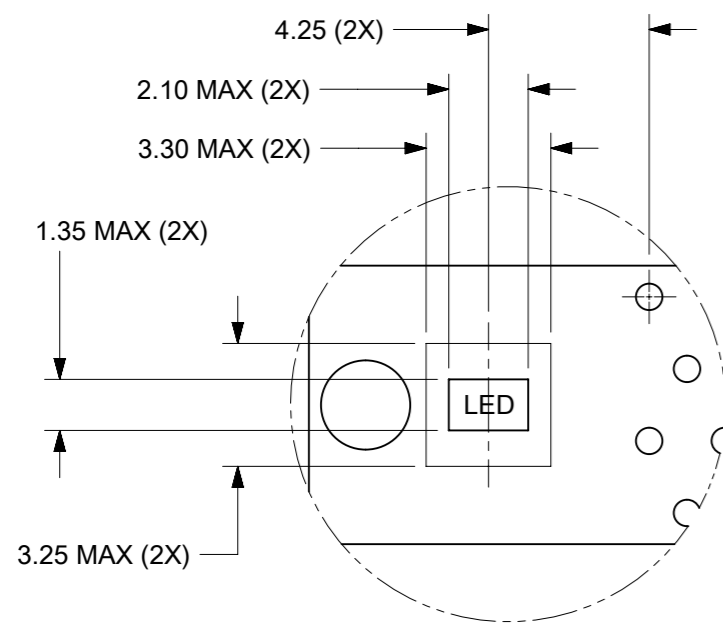
DOCUMENT STATUS	P1	RELEASE DATE	2021/03/16	13:03:17
-----------------	----	--------------	------------	----------

RECOMMENDED MODULE LAYOUT

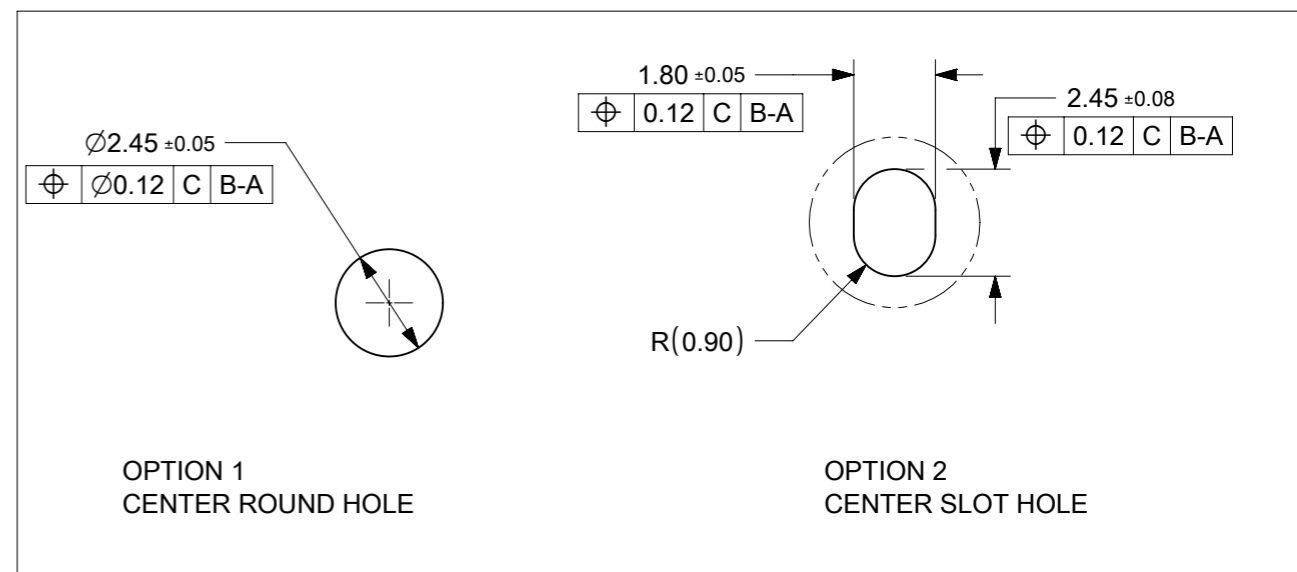


NOTES:
 1. MODULE CARD USED FOR TESTS ARE WITH 0.10MM CHAMFER.

THIS DRAWING CONTAINS INFORMATION THAT IS PROPRIETARY TO MOLEX ELECTRONIC TECHNOLOGIES, LLC AND SHOULD NOT BE USED WITHOUT WRITTEN PERMISSION		CURRENT REV DESC: OBSOLETE PART NUMBER		molex	
GENERAL TOLERANCES (UNLESS SPECIFIED)		EC NO: 655037			
4 PLACES ±		DRWN: VLOKESHA		2021/01/11	
3 PLACES ±		CHK'D: GGA		2021/03/16	
2 PLACES ± 0.2		APPR: GGA		2021/03/16	
1 PLACE ±		INITIAL REVISION:		DOCUMENT NUMBER	
0 PLACES ±		DRWN: CGDH		SD-87705-001	
ANGULAR TOL ± 5.0°		APPR: SKTOH		DOC TYPE DOC PART REVISION	
DRAFT WHERE APPLICABLE MUST REMAIN WITHIN DIMENSIONS		THIRD ANGLE PROJECTION		PSD 001 E	
DRAWING		SERIES		MATERIAL NUMBER	
A3-SIZE		87705		CUSTOMER	
SEE TABLE		GENERAL MARKET		SHEET NUMBER	
				3 OF 6	

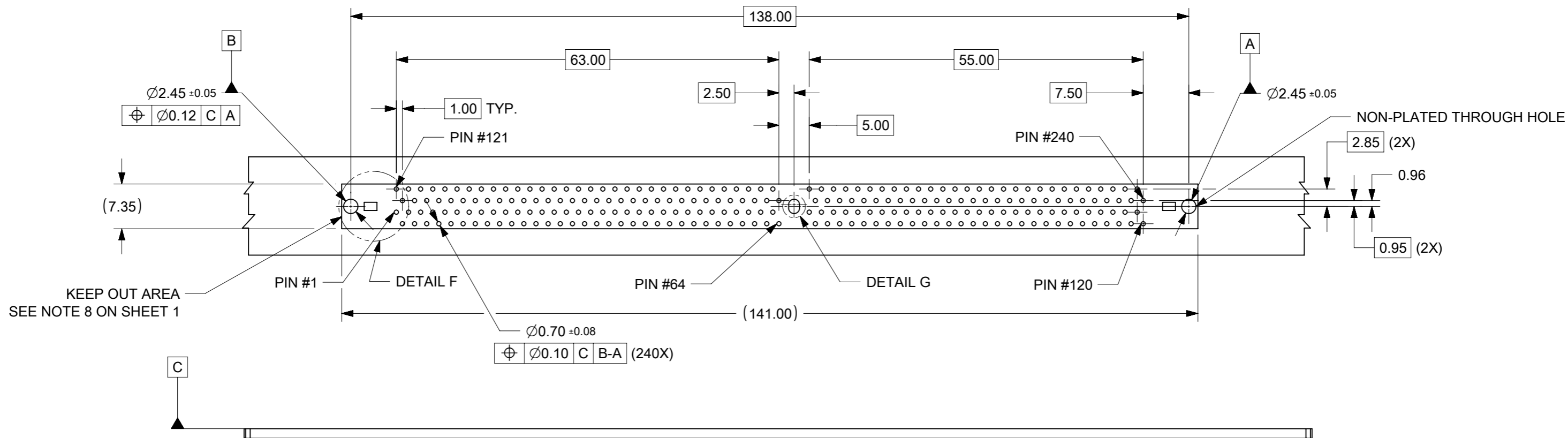


DETAIL F



DETAIL G

(SEE RECOMMENDED THICKNESS IN TABLE)
RECOMMENDED PCB LAYOUT
CONNECTOR SIDE



THIS DRAWING CONTAINS INFORMATION THAT IS PROPRIETARY TO MOLEX ELECTRONIC TECHNOLOGIES, LLC AND SHOULD NOT BE USED WITHOUT WRITTEN PERMISSION		CURRENT REV DESC: OBSOLETE PART NUMBER		molex	
DIMENSION UNITS: mm		SCALE: NTS			
GENERAL TOLERANCES (UNLESS SPECIFIED)				DDR2 DIMM, 1.00MM PITCH 240 CKTS (FORKLOCK VERSION)	
				PRODUCT CUSTOMER DRAWING	
4 PLACES ±		±		DOCUMENT NUMBER: SD-87705-001	
3 PLACES ±		±		DOC TYPE: PSD	
2 PLACES ±		0.2 ±		DOC PART: 001	
1 PLACE ±		±		REVISION: E	
0 PLACES ±		±			
ANGULAR TOL ± 5.0°				MATERIAL NUMBER: SEE TABLE	
DRAFT WHERE APPLICABLE MUST REMAIN WITHIN DIMENSIONS		THIRD ANGLE PROJECTION		CUSTOMER: GENERAL MARKET	
		DRAWING: A3-SIZE		SHEET NUMBER: 4 OF 6	
		SERIES: 87705			

F
E
D
C
B
A

PART NO.	KEY POS.	DIM 'P'	RECOMMENDED PCB THICKNESS	PLATING OPTION	LATCH COLOR	LUBRICATION
87705-0031	CENTER (1.8V)	2.67	1.57	0.03uM / 1 uIN MIN. GOLD ON CONTACT, 2.54uM/ 100uIN MIN. TIN ON SOLDERTAILS, 1.27uM/ 50uIN MIN. NICKEL UNDERPLATE	NATURAL	NO
87705-1031		3.18	2.36			
87705-3061						

THIS DRAWING CONTAINS INFORMATION THAT IS PROPRIETARY TO MOLEX ELECTRONIC TECHNOLOGIES, LLC AND SHOULD NOT BE USED WITHOUT WRITTEN PERMISSION

DIMENSION UNITS	SCALE	CURRENT REV DESC: OBSOLETE PART NUMBER		molex		
mm	NTS					
GENERAL TOLERANCES (UNLESS SPECIFIED)				DDR2 DIMM, 1.00MM PITCH 240 CKTS (FORKLOCK VERSION)		
	MM	INCH			PRODUCT CUSTOMER DRAWING	
4 PLACES	±	±	EC NO: 655037	2021/01/11		
3 PLACES	±	±	DRWN: VLOKESHA	2021/03/16		
2 PLACES	±	0.2	CHK'D: GGA	2021/03/16		
1 PLACE	±	±	APPR: GGA	2021/03/16		
0 PLACES	±	±	INITIAL REVISION:			
ANGULAR TOL	±	5.0°	DRWN: CGDH	2002/05/09	DOCUMENT NUMBER	DOC TYPE
			APPR: SKTOH	2002/07/23	SD-87705-001	PSD
DRAFT WHERE APPLICABLE MUST REMAIN WITHIN DIMENSIONS		THIRD ANGLE PROJECTION	DRAWING	SERIES	MATERIAL NUMBER	CUSTOMER
			A3-SIZE	87705	SEE TABLE	GENERAL MARKET
						SHEET NUMBER
						5 OF 6

PART NO.	KEY POS.	DIM 'P'	RECOMMENDED PCB THICKNESS	PLATING OPTION	LATCH COLOR
87705-5051	CENTER (1.8V)	2.67	1.57	0.76uM / 30 uIN MIN. GOLD ON CONTACT, 2.54uM/ 100uIN MIN. TIN ON SOLDERTAILS, 1.27uM/ 50uIN MIN. NICKEL UNDERPLATE	CLEAR
87705-5151		3.18	2.36		
87705-6151		3.18	2.36	0.38uM / 15 uIN MIN. GOLD ON CONTACT, 2.54uM/ 100uIN MIN. TIN ON SOLDERTAILS, 1.27uM/ 50uIN MIN. NICKEL UNDERPLATE	

THIS DRAWING CONTAINS INFORMATION THAT IS PROPRIETARY TO MOLEX ELECTRONIC TECHNOLOGIES, LLC AND SHOULD NOT BE USED WITHOUT WRITTEN PERMISSION									
DIMENSION UNITS		SCALE		CURRENT REV DESC: OBSOLETE PART NUMBER				molex	
mm		NTS							
GENERAL TOLERANCES (UNLESS SPECIFIED)				EC NO: 655037		2021/01/11		PRODUCT CUSTOMER DRAWING	
				DRWN: VLOKESHA		2021/03/16			
				CHK'D: GGA		2021/03/16		SD-87705-001	
				APPR: GGA		2021/03/16			
				INITIAL REVISION:				PSD 001 E	
				DRWN: CGDH		2002/05/09			
				APPR: SKTOH		2002/07/23		SEE TABLE	
				ANGULAR TOL ± 5.0°					
DRAFT WHERE APPLICABLE MUST REMAIN WITHIN DIMENSIONS		THIRD ANGLE PROJECTION		DRAWING		SERIES		SHEET NUMBER	
				A3-SIZE		87705		6 OF 6	

DOCUMENT STATUS	P1	RELEASE DATE	2021/03/16	13:03:17
-----------------	----	--------------	------------	----------