

## FEATURES

- Allows Safe Board Insertion and Removal from a Live Backplane
- Controls Supply Voltage from 10.8V to 80V
- Foldback Current Limiting
- Overcurrent Fault Detection
- Drives an External N-Channel MOSFET
- Programmable Supply Voltage Power-Up Rate
- Undervoltage Protection
- Latch Off Operation Mode (LT4256-1)
- Automatic Retry (LT4256-2)
- Available in an 8-Pin SO Package

## APPLICATIONS

- Hot Board Insertion
- Electronic Circuit Breaker/Power Bussing
- Industrial High Side Switch/Circuit Breaker
- 24V/48V Industrial/Alarm Systems
- Ideally Suited for 12V, 24V and 48V Distributed Power Systems
- 48V Telecom Systems

## DESCRIPTION

The LT<sup>®</sup>4256-1/LT4256-2 are high voltage Hot Swap<sup>™</sup> controllers that allow a board to be safely inserted and removed from a live backplane. An internal driver drives an external N-channel MOSFET switch to control supply voltages ranging from 10.8V to 80V.

The LT4256-1/LT4256-2 features an adjustable analog foldback current limit. If the supply remains in current limit for more than a programmable time, the N-channel MOSFET shuts off and the PWRGD output asserts low. The LT4256-2 automatically restarts after a time-out delay. The LT4256-1 latches off until the UV pin is cycled low.

The PWRGD output indicates when the output voltage rises above a programmed level. An external resistor string from  $V_{CC}$  provides programmable undervoltage protection.

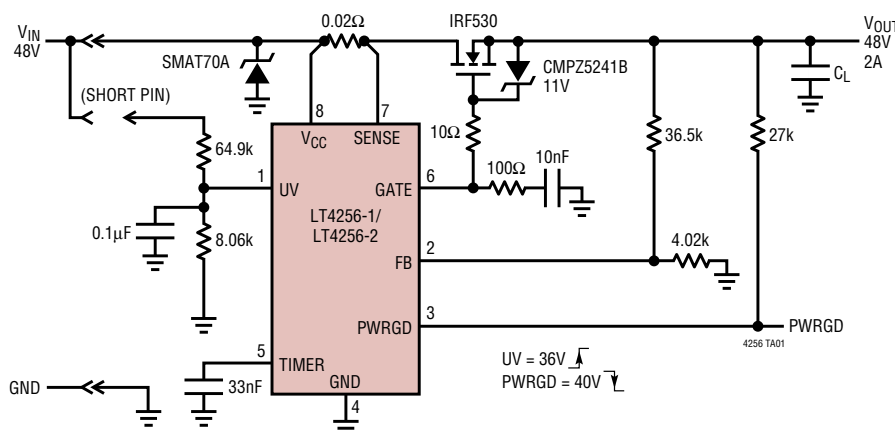
The LT4256 can be used as an upgrade to LT1641 designs. See Table 1 on page 14 for upgraded specifications.

The LT4256-1 and LT4256-2 are available in an 8-pin SO package that is pin compatible with the LT1641.

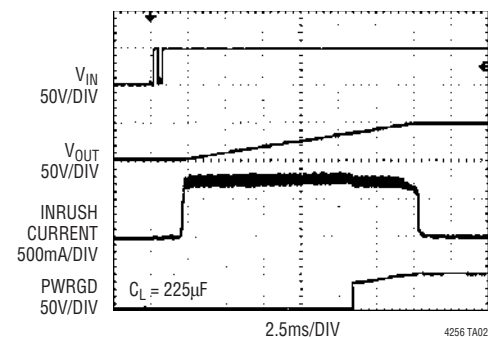
**LT**, LTC and LT are registered trademarks of Linear Technology Corporation. Hot Swap is a trademark of Linear Technology Corporation. All other trademarks are the property of their respective owners.

## TYPICAL APPLICATION

48V, 2A Hot Swap Controller



LT4256 Start-Up Behavior



# LT4256-1/LT4256-2

## ABSOLUTE MAXIMUM RATINGS

(Note 1)

Supply Voltage ( $V_{CC}$ )	-0.3 to 100V
SENSE, PWRGD	-0.3 to 100V
GATE (Note 2)	-0.3V to $V_{CC} + 10V$
Maximum Input Current (GATE)	200 $\mu$ A
FB, UV	-0.3 to 44V
TIMER	-0.3V to 4.3V
Maximum Input Current (TIMER)	100 $\mu$ A
Operating Temperature	
LT4256C	0°C to 70°C
LT4256I	-40°C to 85°C
Storage Temperature Range	-65°C to 150°C
Lead Temperature (Soldering, 10 sec)	300°C

## PACKAGE/ORDER INFORMATION

	ORDER PART NUMBER
	LT4256-1CS8 LT4256-1IS8 LT4256-2CS8 LT4256-2IS8
	S8 PART MARKING
	42561 42561I 42562 42562I

**Order Options** Tape and Reel: Add #TR  
Lead Free: Add #PBF Lead Free Tape and Reel: Add #TRPBF  
Lead Free Part Marking: <http://www.linear.com/leadfree/>

Consult LTC Marketing for parts specified with wider operating temperature ranges.

## ELECTRICAL CHARACTERISTICS

The ● denotes the specifications which apply over the full operating temperature range, otherwise specifications are at  $T_A = 25^\circ\text{C}$ .  $V_{CC} = 48\text{V}$  unless otherwise noted.

SYMBOL	PARAMETER	CONDITIONS	MIN	TYP	MAX	UNITS	
$V_{CC}$	Operating Voltage		● 10.8		80	V	
$I_{CC}$	Operating Current			1.8	3.9	mA	
$V_{UVLH}$	Undervoltage Threshold	$V_{CC}$ Low-to-High Transition	● 3.96	4	4.04	V	
$V_{UVHYS}$	Hysteresis		0.25	0.4	0.55	V	
$I_{INUV}$	UV Input Current	$UV \geq 1.2V$ $UV = 0V$		-0.1 -1.5	-1 -3	$\mu$ A $\mu$ A	
$V_{UVRTH}$	Fault Latch Reset Threshold Voltage		● 0.4	0.85	1.2	V	
$V_{SENSETRIP}$	SENSE Pin Trip Voltage ( $V_{CC} - V_{SENSE}$ )	$FB = 0V$ $FB \geq 2V$	● 5.5 ● 45	14 55	22 65	mV mV	
$I_{INSNS}$	SENSE Pin Input Current	$V_{SENSE} = V_{CC}$		40	70	$\mu$ A	
$I_{PU}$	GATE Pull-Up Current	Charge Pump On, $\Delta V_{GATE} = 7V$	● -16	-32	-63	$\mu$ A	
$I_{PD}$	GATE Pull-Down Current	Any Fault, $V_{GATE} = 3V$		40	62	80	mA
$\Delta V_{GATE}$	External N-Channel Gate Drive (Note 2)	$V_{GATE} - V_{CC}$ , $10.8V \leq V_{CC} \leq 20V$ $20V \leq V_{CC} \leq 80V$	● 4.5 ● 10	8.8 11.6	12.5 12.8	V V	
$V_{FB}$	FB Voltage Threshold	FB High-to-Low Transition FB Low-to-High Transition	● 3.95 ● 4.2	3.99 4.45	4.03 4.65	V V	
$V_{FBHYS}$	FB Hysteresis Voltage			0.3	0.45	0.6	V
$V_{OLPGD}$	PWRGD Output Low Voltage	$I_O = 1.6mA$ $I_O = 5mA$		0.25 0.6	0.4 1	V V	
$I_{PWRGD}$	PWRGD Pin Leakage Current	$V_{PWRGD} = 80V$		0.1	1	$\mu$ A	
$I_{INFB}$	FB Input Current	$FB = 4.5V$		-0.1	-1	$\mu$ A	
$I_{TIMERPU}$	TIMER Pull-Up Current	TIMER = 3V, During Fault	● -63	-105	-147	$\mu$ A	
$I_{TIMERPD}$	TIMER Pull-Down Current	TIMER = 3V	● 1.5	3	5	$\mu$ A	
$V_{THTIMER}$	TIMER Shut-Down Threshold	$C_{TIMER} = 10nF$	● 4.3	4.65	5	V	
$D_{TIMER}$	Duty Cycle (RETRY Mode)		● 1.5	3	4.5	%	

425612fa

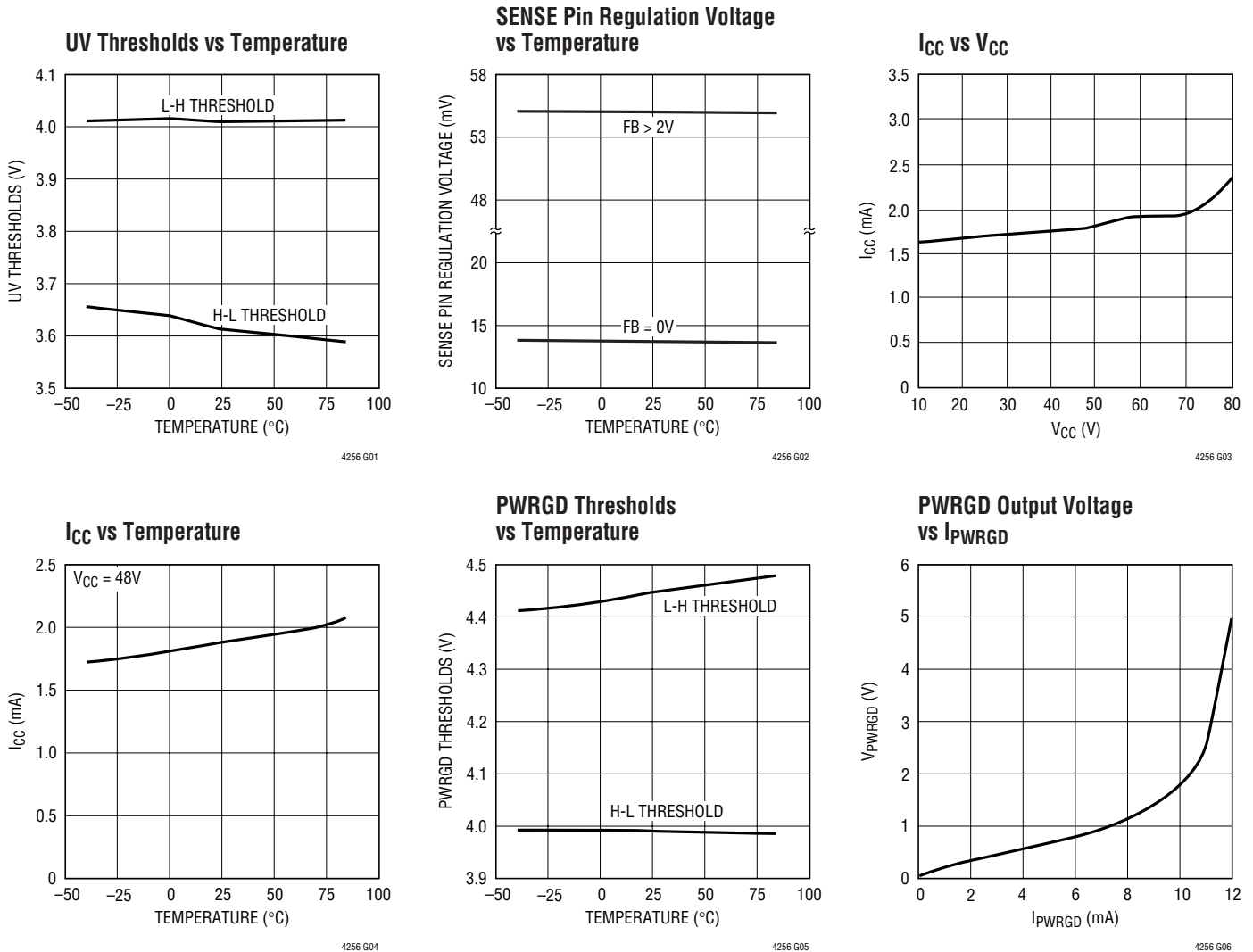
**ELECTRICAL CHARACTERISTICS** The ● denotes the specifications which apply over the full operating temperature range, otherwise specifications are at  $T_A = 25^\circ\text{C}$ .  $V_{CC} = 48\text{V}$  unless otherwise noted.

SYMBOL	PARAMETER	CONDITIONS	MIN	TYP	MAX	UNITS
$t_{PHLUV}$	UV Low to GATE Low			1.7	3	$\mu\text{s}$
$t_{PLHUV}$	UV High to GATE High	$C_{GATE} = 0$		6	9	$\mu\text{s}$
$t_{PHLFB}$	FB Low to PWRGD Low			0.8	2	$\mu\text{s}$
$t_{PLHFB}$	FB High to PWRGD High			3.2	5	$\mu\text{s}$
$t_{PHLSENSE}$	$(V_{CC} - V_{SENSE})$ High to GATE Low	$V_{CC} - V_{SENSE} = 275\text{mV}$		1	3	$\mu\text{s}$

**Note 1:** Absolute Maximum Ratings are those values beyond which the life of a device may be impaired.

**Note 2:** An internal clamp limits the GATE pin to a minimum of 10V above  $V_{CC}$ . Driving this pin to a voltage beyond the clamp voltage may damage the part.

**TYPICAL PERFORMANCE CHARACTERISTICS** Specifications are at  $T_A = 25^\circ\text{C}$  unless otherwise noted.



## TYPICAL PERFORMANCE CHARACTERISTICS

Specifications are at  $T_A = 25^\circ\text{C}$  unless otherwise noted.

**GATE Pin Pull-Up Current vs Temperature**



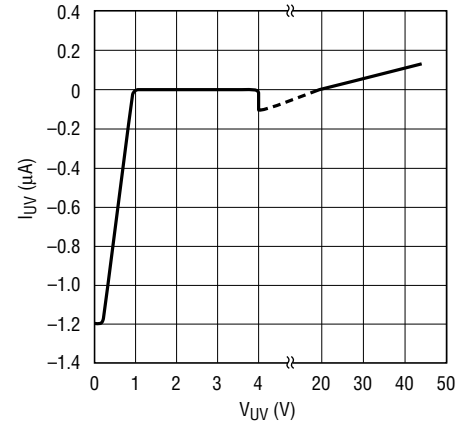
4256 G07

**GATE Pin Pull-Down Current vs Temperature**



4256 G08

**UV Pin Current vs UV Pin Voltage**



4256 G09

**$V_{\text{GATE}} - V_{\text{CC}}$  Voltage vs Temperature**



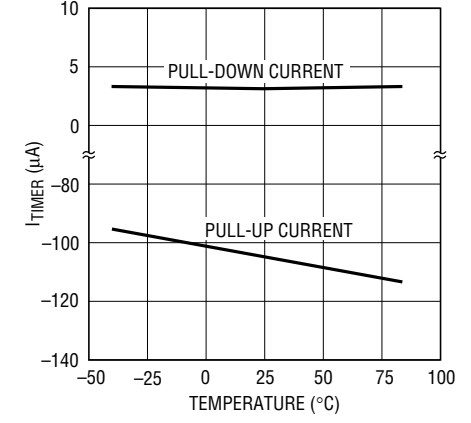
4256 G10

**$V_{\text{GATE}} - V_{\text{CC}}$  Voltage vs Temperature**



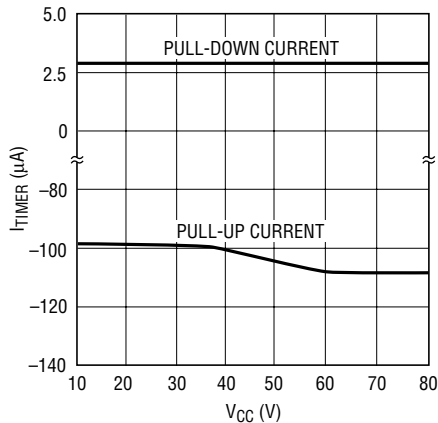
4256 G11

**TIMER Pin Currents vs Temperature**



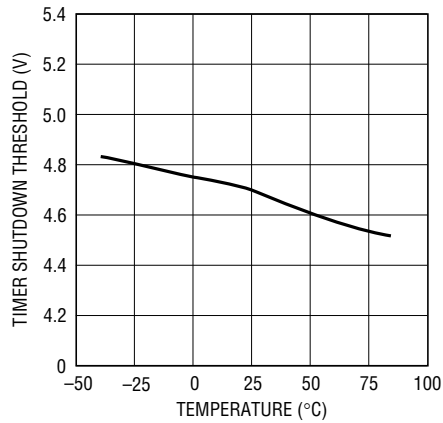
4256 G12

**TIMER Pin Currents vs  $V_{\text{CC}}$**



4256 G13

**Timer Shutdown Threshold vs Temperature**

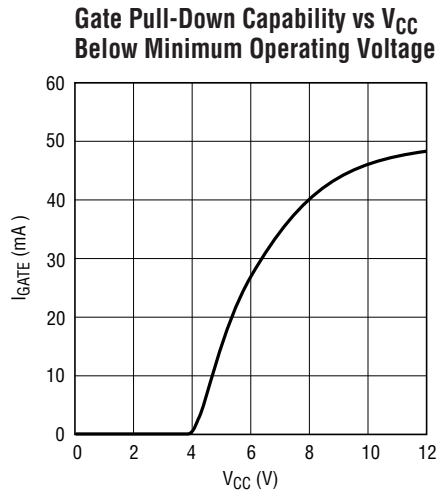


4256 G14

**TYPICAL PERFORMANCE CHARACTERISTICS** Specifications are at  $T_A = 25^\circ\text{C}$  unless otherwise noted.



4256 G15



4256 G16

## PIN FUNCTIONS

**UV (Pin 1):** Undervoltage Sense. UV is an input that enables the output voltage. When UV is driven above 4V, GATE will start charging and the output turns on. When UV goes below 3.6V, GATE discharges and the output shuts off.

Pulsing UV low for a minimum of 5 $\mu$ s after a current limit fault cycle resets the fault latch (LT4256-1) and allows the part to turn back on. This command is only accepted after TIMER has discharged below 0.65V. To disable UV sensing, connect UV to a voltage between 5V and 44V.

**FB (Pin 2):** Power Good Comparator Input. FB monitors the output voltage through an external resistive divider. When the voltage on FB is lower than the high-to-low threshold of 3.99V, PWRGD is pulled low and released when FB is pulled above the 4.45V low-to-high threshold.

The voltage present on FB affects foldback current limit (see Figure 7 and related discussion).

**PWRGD (Pin 3):** Power Good Output. PWRGD is pulled low whenever the voltage on FB falls below the 3.99V high-to-low threshold voltage. It goes into a high impedance state when the voltage on FB exceeds the low-to-high threshold voltage. An external pull-up resistor can pull PWRGD to a voltage higher or lower than  $V_{CC}$ .

**GND (Pin 4):** Device Ground. This pin must be tied to a ground plane for best performance.

**TIMER (Pin 5):** Timing Input. An external timing capacitor from TIMER to GND programs the maximum time the part is allowed to remain in current limit. When the part goes into current limit, a 105 $\mu$ A pull-up current source starts to charge the timing capacitor. When the voltage on TIMER reaches 4.65V (typ), GATE pulls low; the TIMER pull-up current will be turned off and the capacitor is discharged by a 3 $\mu$ A pull-down current. When TIMER falls below 0.65V (typ), GATE turns on again for the LT4256-2. UV must be cycled low after TIMER has discharged below 0.65V (typ) to reset the LT4256-1. If UV is not cycled low (LT4256-1), GATE remains latched off and TIMER is discharged to near GND. Under an output short-circuit condition, the LT4256-2 cycles on and off with a 3% duty cycle.

**GATE (Pin 6):** High Side Gate Drive for the External N-Channel MOSFET. An internal charge pump guarantees at least 10V of gate drive for  $V_{CC}$  supply voltages above 20V and 4.5V of gate drive for  $V_{CC}$  supply voltages between 10.8V and 20V. The rising slope of the voltage on GATE is set by an external capacitor connected from GATE to GND and an internal 32 $\mu$ A pull-up current source from the charge pump output.

If the current limit is reached, the GATE voltage is adjusted to maintain a constant voltage across the sense resistor while the timing capacitor starts to charge. If the TIMER voltage ever exceeds 4.65V, GATE is pulled low.

GATE is also pulled to GND whenever UV is pulled low, the  $V_{CC}$  supply voltage drops below the externally programmed undervoltage threshold, or  $V_{CC}$  drops below the internal UVLO threshold (9.8V).

GATE is clamped internally to a maximum voltage of 11.6V (typ) above  $V_{CC}$  under normal operating conditions. Driving this pin beyond the clamp voltage may damage the part. A Zener diode is needed between the gate and source of the external MOSFET to protect its gate oxide under instantaneous short-circuit conditions. See Applications Information.

**SENSE (Pin 7):** Current Limit Sense Input. A sense resistor is placed in the supply path between  $V_{CC}$  and SENSE. The current limit circuit regulates the voltage across the sense resistor ( $V_{CC} - \text{SENSE}$ ) to 55mV while in current limit when FB is 2V or higher. If FB drops below 2V, the regulated voltage across the sense resistor decreases linearly to 14mV when FB is 0V.

To defeat current limit, connect SENSE to  $V_{CC}$ .

**$V_{CC}$  (Pin 8):** Input Supply Voltage. The positive supply input ranges from 10.8V to 80V for normal operation.  $I_{CC}$  is typically 1.8mA. An internal circuit disables the LT4256-1/LT4256-2 for inputs less than 9.8V (typ).

**BLOCK DIAGRAM**



## TEST CIRCUIT



Figure 1

## TIMING DIAGRAMS



Figure 2. UV to GATE Timing

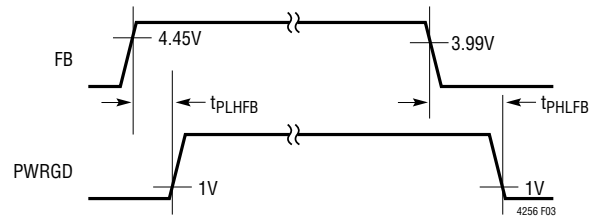


Figure 3.  $V_{OUT}$  to PWRGD Timing

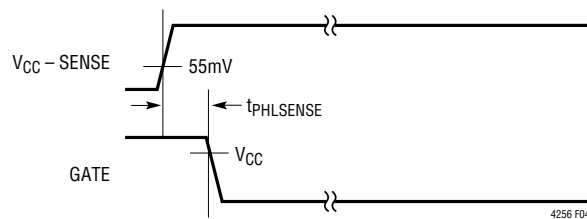


Figure 4. SENSE to GATE Timing

## APPLICATIONS INFORMATION

### Hot Circuit Insertion

When circuit boards are inserted into a live backplane, the supply bypass capacitors on the boards draw high peak currents from the backplane power bus as they charge. The transient currents can permanently damage the connector pins and glitch the system supply, causing other boards in the system to reset.

The LT4256-1/LT4256-2 are designed to turn on a board's supply voltage in a controlled manner, allowing the board to be safely inserted or removed from a live backplane. The

device also provides undervoltage as well as overcurrent protection while a power good output signal indicates when the output supply voltage is ready with a high output.

### Power-Up Sequence

An external N-channel MOSFET pass transistor (Q1) is placed in the power path to control the power up of the supply voltage (Figure 5). Resistor R5 provides current detection and capacitor C1 controls the GATE slew rate. Resistor R7 compensates the current control loop while R6 prevents high frequency oscillations in Q1.

425612fa



## APPLICATIONS INFORMATION



Figure 5. 1600mA, 48V Application

When the power pins first make contact, transistor Q1 is held off. If the voltage on  $V_{CC}$  is above the externally programmed undervoltage threshold,  $V_{CC}$  is above 9.8V, and the voltage on TIMER is less than 4.65V (typ), transistor Q1 will be turned on (Figure 6). The voltage on GATE rises with a slope equal to  $32\mu\text{A}/C1$  and the supply inrush current is set at:

$$I_{\text{INRUSH}} = C_L \cdot 32\mu\text{A}/C1 \quad (1)$$

where  $C_L$  is the total load capacitance.

To reduce inrush current, increase C1 or decrease load capacitance. If the voltage across the current sense resistor R5 reaches  $V_{\text{SENSETRIP}}$ , the inrush current will be limited by the internal current limit circuitry. The voltage on GATE is adjusted to maintain a constant voltage across the sense resistor and TIMER begins to charge.

When the FB voltage goes above the low-to-high  $V_{\text{FB}}$  threshold, PWRGD goes high.

### Undervoltage Detection

The LT4256-1/LT4256-2 uses UV to monitor the  $V_{CC}$  voltage to determine when it is safe to turn on the load and allow the user the greatest flexibility for setting the threshold. Any time that UV goes below 3.6V, GATE will be pulled low until UV goes above 4V again.

The UV threshold should never be set below the internal UVLO threshold (9.8V typically) because the benefit of UV's hysteresis will be lost, making the LT4256-1/



Figure 6. Start-Up Waveforms

LT4256-2 more susceptible to noise ( $V_{CC}$  must be at least 9.8V when UV is at its 3.6V threshold). UV is filtered with C3 to prevent noise spikes and capacitively coupled glitches from shutting down the LT4256-1/LT4256-2 output erroneously.

To calculate the UV threshold, use the following equations:

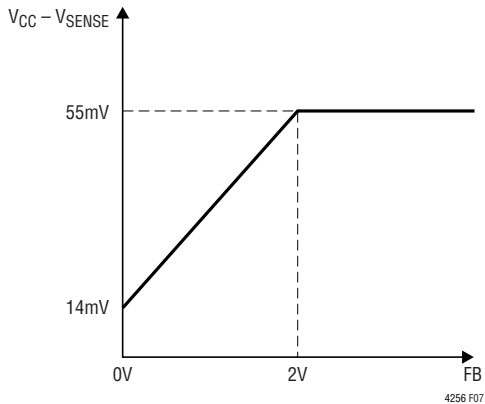
$$R1 = R2 \left( \frac{V_{\text{THUVLH}}}{4\text{V}} - 1 \right) \quad (2)$$

$$20\text{k}\Omega \leq R1 + R2 \leq 200\text{k}\Omega \quad (3)$$

$$V_{\text{THUVLH}} = 3.6 \left( 1 + \frac{R1}{R2} \right) \quad (4)$$

where  $V_{\text{THUVLH}}$  is the desired UV threshold voltage when  $V_{CC}$  is rising (L-H), etc.

**APPLICATIONS INFORMATION**



**Figure 7. Current Limit Sense Voltage vs Feedback Pin Voltage**

Figure 11 shows how the LT4256-1/LT4256-2 are commanded to shut off with a logic signal. This is accomplished by pulling the gate of the open-drain MOSFET, Q2, (tied to the UV pin) high.

**Short-Circuit Protection**

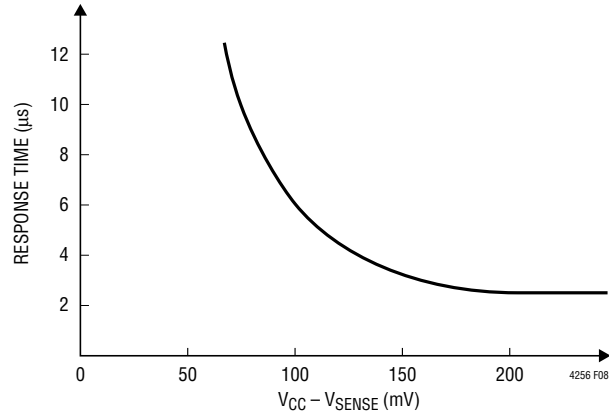
The LT4256-1/LT4256-2 features a programmable foldback current limit with an electronic circuit breaker that protects against short circuits or excessive load currents. The current limit is set by placing a sense resistor (R5) between V<sub>CC</sub> and SENSE. The current limit threshold is calculated as:

$$I_{LIMIT} = 55\text{mV}/R5 \tag{5}$$

where R5 is the sense resistor.

To limit excessive power dissipation in the pass transistor and to reduce voltage spikes on the input supply during short-circuit conditions at the output, the current folds back as a function of the output voltage, which is sensed internally on FB.

If the LT4256-1/LT4256-2 go into current limit when the voltage on FB is 0V, the current limit circuit drives the GATE pin to force a constant 14mV drop across the sense resistor. As the output at FB increases, the voltage across the sense resistor increases until the FB pin reaches 2V, at which point the voltage across the sense resistor is held constant at 55mV (see Figure 7).



**Figure 8. Response Time to Overcurrent**

For a 0.025Ω sense resistor, the current limit is set at 2200mA and folds back to 560mA when the output is shorted to ground. Thus, MOSFET peak power dissipation under short-circuit conditions is reduced from 105.6W to 26.5W. See the Layout Considerations section for important information about board layout to minimize current limit threshold error.

The LT4256-1/LT4256-2 also features a variable overcurrent response time. The time required for the part to regulate the GATE voltage is a function of the voltage across the sense resistor connected between V<sub>CC</sub> and SENSE. This helps to eliminate sensitivity to current spikes and transients that might otherwise unnecessarily trigger a current limit response and increase MOSFET dissipation. Figure 8 shows the response time as a function of the overdrive at SENSE.

**TIMER**

TIMER provides a method for programming the maximum time the part is allowed to operate in current limit. When the current limit circuitry is not active, the TIMER pin is pulled to GND by a 3µA current source. When the current limit circuitry becomes active, a 108µA pull-up current source is connected to TIMER and the voltage will rise with a slope equal to 105µA/C<sub>TIMER</sub> as long as the circuitry stays active. Once the desired maximum current limit time is known, the capacitor value is:

$$C[\text{nF}] = 25 \cdot t[\text{ms}]; C = \frac{105\mu\text{A}}{4.65\text{V}} \cdot t \tag{6}$$

## APPLICATIONS INFORMATION



Figure 9. LT4256-1 Current Limit Waveforms

When the TIMER pin reaches 4.65V (typ), the internal fault latch is set causing GATE to be pulled low and TIMER to be discharged to GND by the 3 $\mu$ A current source. The part is not allowed to turn on again until the voltage on TIMER falls below 0.65V (typ).

TIMER must never be pulled high by a low impedance because whenever TIMER rises above the upper threshold (typically 4.65V) the pin characteristics change from a high impedance current source to a low impedance.

Whenever GATE is commanded off by any fault condition, it is discharged rapidly, turning off the external MOSFET. The waveform in Figure 9 shows how the output latches off following a current fault (LT4256-1). The drop across the sense resistor is held at 55mV as the timer ramps up. Once TIMER reaches its shutdown threshold (4.65V typically), the circuit latches off.

The LT4256-1 latches off after a current limit fault. After the LT4256-1 latches off, the part may be commanded to

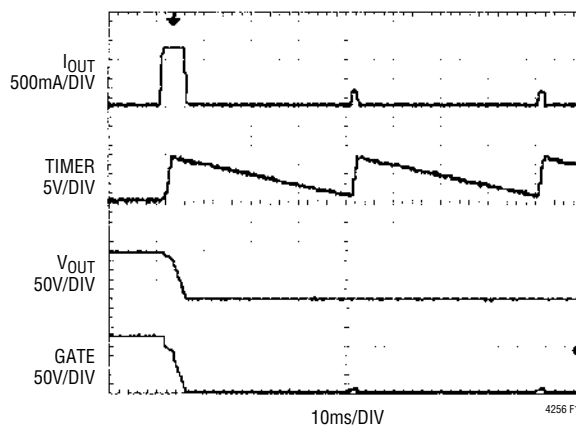


Figure 10. LT4256-2 Current Limit Waveforms

start back up. This is accomplished by cycling UV to ground and then back high (this command can only be accepted after TIMER discharges back below the 0.65V typical threshold, to prevent overheating transistor Q1).

### Automatic Restart

The LT4256-2 will automatically restart after an overcurrent fault. These waveforms are shown in Figure 10.

The LT4256-2 functionality is as follows: When an overcurrent condition occurs, the GATE pin is servoed to maintain a constant voltage across the sense resistor, and the capacitor C2 at the TIMER pin will begin to charge. When the voltage at the TIMER pin reaches 4.65V (typ), the GATE pin is pulled low. When the voltage at the TIMER pin ramps back down to 0.65V (typ), the LT4256-2 turns on again. If the short-circuit condition at the output still exists, the cycle will repeat itself indefinitely. The duty cycle under short-circuit conditions is 3% which prevents Q1 from overheating.

APPLICATIONS INFORMATION

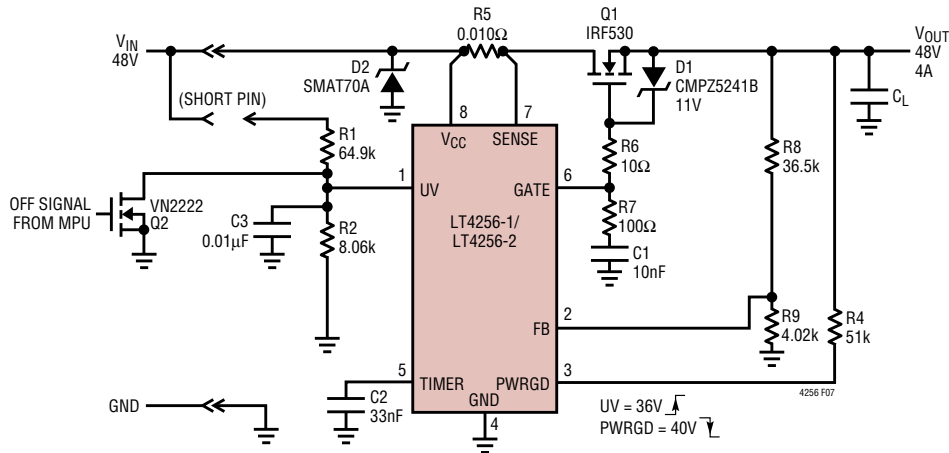


Figure 11. How to Use a Logic Signal to Control LT4256 Turn-On/-Off

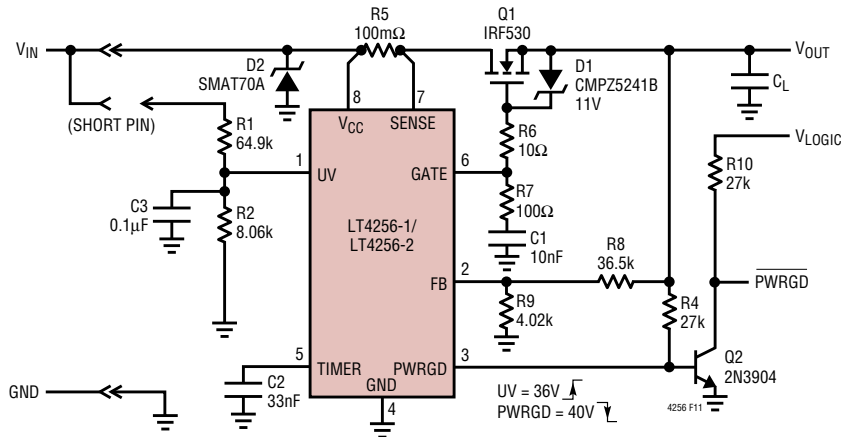


Figure 12. Active Low Enable PWRGD Application

Power Good Detection

The LT4256-1/LT4256-2 includes a comparator for monitoring the output voltage. The output voltage is sensed through the FB pin via an external resistor string. The comparator’s output (PWRGD) is an open collector capable of operating from a pull-up as high as 80V.

PWRGD can be used to directly enable/disable a power module with an active high enable input. Figure 12 shows how to use PWRGD to control an active low enable power module. Signal inversion is accomplished by transistor Q2 and R10.

The thresholds for the FB pin are 4.45V (low to high) and 3.99V (high to low). To calculate the PWRGD thresholds, use the following equations:

$$R8 = \left( \frac{V_{THPWGRD}}{3.99V} - 1 \right) \cdot R9, \text{ high to low} \quad (7)$$

$$20k\Omega \leq R8 + R9 \leq 200k\Omega \quad (8a)$$

$$V_{THPWGRD} = 4.45V \left( 1 + \frac{R8}{R9} \right), \text{ low to high} \quad (8b)$$

## APPLICATIONS INFORMATION

### Supply Transient Protection

The LT4256-1/LT4256-2 is 100% tested and guaranteed to be safe from damage with supply voltages up to 80V. However, voltage transients above 100V may cause permanent damage. During a short-circuit condition, the large change in currents flowing through the power supply traces can cause inductive voltage transients which could exceed 100V. To minimize the voltage transients, the power trace parasitic inductance should be minimized by using wider traces or heavier trace plating and a 0.1 $\mu$ F bypass capacitor should be placed between  $V_{CC}$  and GND. A surge suppressor, as shown in the application diagrams, (Transzorb) at the input can also prevent damage from voltage transients.

### GATE Pin

A curve of gate drive vs  $V_{CC}$  is shown in Figure 13. GATE is clamped to a maximum voltage of 12.8V above  $V_{CC}$ . This clamp is designed to sink the internal charge pump current. An external Zener diode must be used as shown in all applications. At a minimum input supply voltage of 12V, the minimum gate drive voltage is 4.5V. When the input supply voltage is higher than 20V, the gate drive voltage is at least 10V and a standard threshold MOSFET can be used. In applications from 12V to 15V range, a logic level MOSFET must be used.

In some applications it may be possible for the  $V_{OUT}$  pin to ring below ground (due to the parasitic trace inductance).

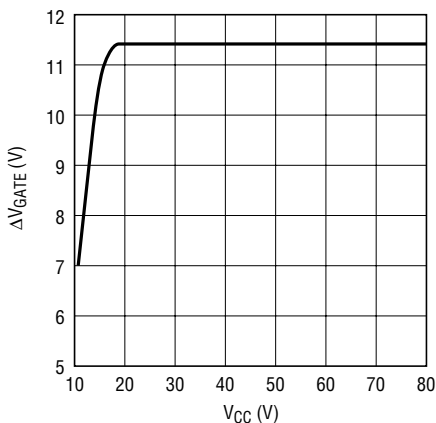


Figure 13.  $\Delta V_{GATE}$  vs  $V_{CC}$

Higher current applications, especially where the output load is physically far away from the LT4256-1/LT4256-2 will be more susceptible to these transients. This is normal and the LT4256-1/LT4256-2 have been designed to allow for some ringing below ground. However, if the application is such that  $V_{OUT}$  can ring more than 10V below ground, damage may occur to the LT4256-1 and an external diode from ground (anode) to  $V_{OUT}$  (cathode) must be added to the circuit as shown in Figure 14 (it is critical that the reverse breakdown voltage of the diode be higher than the highest expected  $V_{CC}$  voltage). A capacitor placed from ground to  $V_{OUT}$  directly at the LT4256-1/LT4256-2 can help reduce the amount of ringing on  $V_{OUT}$  but it may not be enough for some applications.

During a fault condition, the LT4256-1/LT4256-2 pulls down on GATE with a switch capable of sinking about 60mA. Once GATE drops below the output voltage by a diode forward voltage, the external Zener will forward bias and  $V_{OUT}$  will also be discharged to GND. In addition to the GATE capacitance, the output capacitance will be discharged through the LT4256-1/LT4256-2.

In applications utilizing very large external N-channel MOSFETs, the possibility exists for the MOSFET to turn on when initially inserted into a live backplane (before the LT4256-1/LT4256-2 becomes active and pulls down on GATE). This is due to the drain to gate capacitance forcing current into R7 and C1 when the drain voltage steps up from ground to  $V_{IN}$  with an extremely fast rise time. To alleviate this situation, a diode, D3, should be put across R7 with the cathode connected to C1 as shown in Figure 15.

## APPLICATIONS INFORMATION



Figure 14. Negative Output Voltage Protection Diode Application

### Notes on Using the LT4256 in LT1641 Applications

Even though the LT4256 and LT1641 have the same pinout, several changes were made to improve overall system accuracy and increase noise immunity. These changes are spelled out in Table 1 and must be accounted for if using the LT4256 in an LT1641 application.

### Layout Considerations

To achieve accurate current sensing, a Kelvin connection to the current sense resistor (R5 in typical application

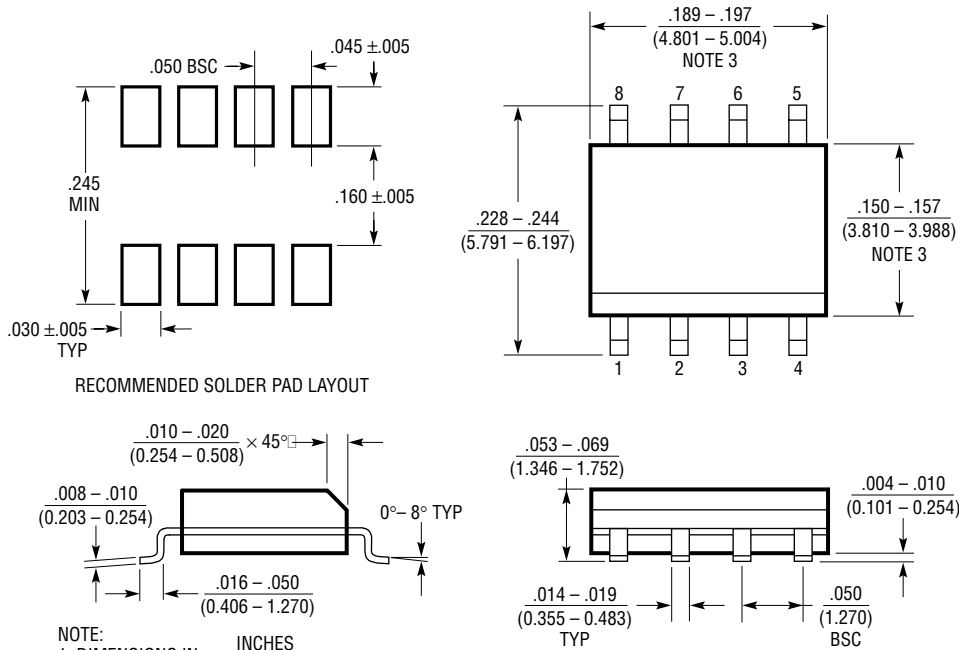
circuit) is recommended. The minimum trace width for 1oz copper foil is 0.02" per amp to make sure the trace stays at a reasonable temperature. 0.03" per amp or wider is recommended. Note that 1oz copper exhibits a sheet resistance of about 530µΩ/□. Small resistances can cause large errors in high current applications. Noise immunity will be improved significantly by locating resistor dividers close to the pins with short V<sub>CC</sub> and GND traces. A 0.1µF decoupling capacitor from UV to GND is also required.

Table 1. Differences Between LT1641 and LT4256

SPECIFICATION	LT1641	LT4256	COMMENTS
UV Threshold	1.313V	4V	Higher 1% Reference for Better Noise Immunity and System Accuracy
FB Threshold	1.233V	3.99V	Higher 1% Reference for Better Noise Immunity and System Accuracy
TIMER Current	±70%	±40%	More Accurate TIMEOUT
TIMER Shutdown V	1.233V	4.65V	Higher Trip Voltage for Better Noise Immunity
GATE I <sub>PJ</sub>	10µA	30µA	Higher Current to Accommodate Higher Leakage MOSFETs or Parallel Devices
GATE Resistor	1kΩ	100Ω	Different Compensation for Current Limit Loop
Foldback I <sub>LIM</sub>	12mV	14mV	Slightly Different Current Limit Trip Point
I <sub>LIM</sub> Threshold	47mV	55mV	Slightly Different Current Limit Trip Point
Fault Latch Reset Threshold Voltage	1.233V	0.85V	Better Noise Immunity

# PACKAGE DESCRIPTION

## S8 Package 8-Lead Plastic Small Outline (Narrow .150 Inch) (Reference LTC DWG # 05-08-1610)



- NOTE:  
 1. DIMENSIONS IN  $\frac{\text{INCHES}}{\text{MILLIMETERS}}$   
 2. DRAWING NOT TO SCALE  
 3. THESE DIMENSIONS DO NOT INCLUDE MOLD FLASH OR PROTRUSIONS.  
 MOLD FLASH OR PROTRUSIONS SHALL NOT EXCEED  $.006''$  (0.15mm)

S08 0303

