

Han 100A single module, female

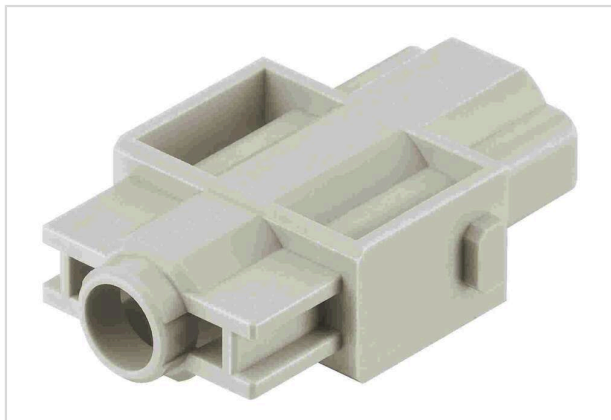


Image is for illustration purposes only. Please refer to product description.

| | |
|--------------------|---|
| Part number | 09 14 001 3131 |
| Specification | Han 100A single module, female |
| HARTING eCatalogue | https://b2b.harting.com/09140013131 |

Identification

| | |
|--------------------|-------------------|
| Category | Modules |
| Series | Han-Modular® |
| Type of module | Han® 100 A module |
| Size of the module | Single module |

Version

| | |
|--------------------|-----------------------------------|
| Gender | Female |
| Number of contacts | 1 |
| Details | Please order contacts separately. |

Technical characteristics

| | |
|--------------------------|---------------------------|
| Conductor cross-section | 10 ... 35 mm ² |
| Rated current | 100 A |
| Rated voltage | 830 V |
| Rated impulse voltage | 8 kV |
| Pollution degree | 3 |
| Rated voltage acc. to UL | 600 V |
| Insulation resistance | >10 ¹⁰ Ω |
| Contact resistance | ≤0.3 mΩ |
| Limiting temperature | -40 ... +125 °C |
| Mating cycles | ≥500 |



Pushing Performance
Since 1945

Material properties

| | |
|---|------------------------------|
| Material (insert) | Polycarbonate (PC) |
| Colour (insert) | RAL 7032 (pebble grey) |
| Material flammability class acc. to UL 94 | V-0 |
| RoHS | compliant |
| ELV status | compliant |
| China RoHS | e |
| REACH Annex XVII substances | Not contained |
| REACH ANNEX XIV substances | Not contained |
| REACH SVHC substances | Not contained |
| California Proposition 65 substances | Not contained |
| Fire protection on railway vehicles | EN 45545-2 (2020-08) |
| Requirement set with Hazard Levels | R22 (HL 1-3) R23 (HL 1-3) |

Specifications and approvals

| | |
|----------------|---|
| Specifications | IEC 60664-1 IEC 61984 |
| Approvals | DNV GL |
| UL / CSA | UL 1977 ECBT2.E235076 UL 2237 PVVA2.E318390 CSA-C22.2 No. 182.3 PVVA8.E318390 |

Commercial data

| | |
|--------------------------------|---|
| Packaging size | 2 |
| Net weight | 5 g |
| Country of origin | Germany |
| European customs tariff number | 85389099 |
| GTIN | 5713140019386 |
| eCl@ss | 27440217 Module for industrial connectors (power/signals) |