

## Han 300A PE axial module, 95-120mm<sup>2</sup> fem.

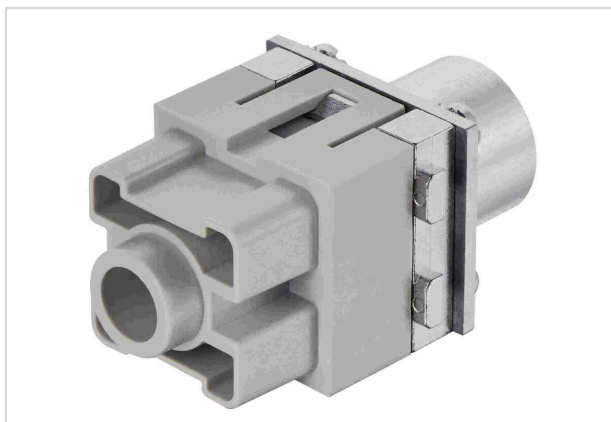


Image is for illustration purposes only. Please refer to product description.

Part number	09 14 001 2781
Specification	Han 300A PE axial module, 95-120mm <sup>2</sup> fem.
HARTING eCatalogue	<a href="https://b2b.harting.com/09140012781">https://b2b.harting.com/09140012781</a>

### Identification

Category	Modules
Series	Han-Modular <sup>®</sup>
Type of module	Han <sup>®</sup> 300 A PE module
Size of the module	Double module

### Version

Termination method	Axial screw termination
Gender	Female
Number of contacts	1

### Technical characteristics

Conductor cross-section	95 ... 120 mm <sup>2</sup>
Insulation resistance	>10 <sup>10</sup> Ω
Contact resistance	≤0.2 mΩ
Stripping length	19 ... 20 mm
Tightening torque	14 Nm @ 95 mm <sup>2</sup> 16 Nm @ 120 mm <sup>2</sup>
Limiting temperature	-40 ... +125 °C
Mating cycles	≥500

### Material properties

Material (insert)	Polycarbonate (PC)
Colour (insert)	RAL 7032 (pebble grey)



Pushing Performance  
Since 1945

## Material properties

Material (contacts)	Copper alloy
Surface (contacts)	Silver plated
Material flammability class acc. to UL 94	V-0
RoHS	compliant with exemption
RoHS exemptions	6(c): Copper alloy containing up to 4 % lead by weight
ELV status	compliant with exemption
China RoHS	50
REACH Annex XVII substances	Not contained
REACH ANNEX XIV substances	Not contained
REACH SVHC substances	Yes
REACH SVHC substances	Lead
ECHA SCIP number	5dbb3851-b94e-4e88-97a1-571845975242
California Proposition 65 substances	Yes
California Proposition 65 substances	Lead
Fire protection on railway vehicles	EN 45545-2 (2020-08)
Requirement set with Hazard Levels	R22 (HL 1-3) R23 (HL 1-3)

## Specifications and approvals

Specifications	IEC 60664-1 IEC 61984
----------------	--------------------------

## Commercial data

Packaging size	1
Net weight	95 g
Country of origin	Germany
European customs tariff number	85366990
GTIN	5713140184503
eCl@ss	27440217 Module for industrial connectors (power/signals)