

Han K 8/0 Pos. M Insert 100 Amp. 10-25mm

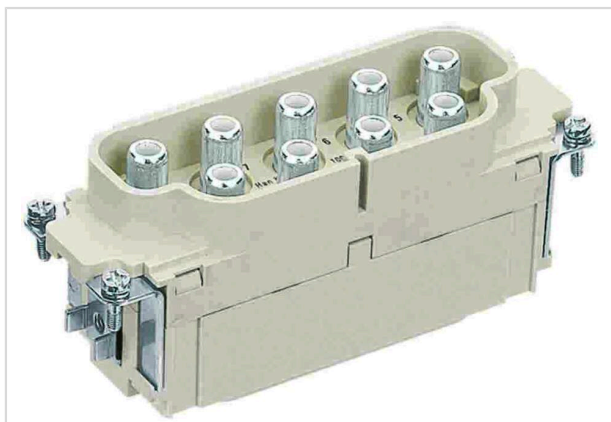


Image is for illustration purposes only. Please refer to product description.

| | |
|--------------------|---|
| Part number | 09 38 008 2653 |
| Specification | Han K 8/0 Pos. M Insert 100 Amp. 10-25mm |
| HARTING eCatalogue | https://b2b.harting.com/09380082653 |

Identification

| | |
|----------------|------------|
| Category | Inserts |
| Series | Han-Com® |
| Identification | Han® K 8/0 |

Version

| | |
|--------------------|-------------------------|
| Termination method | Axial screw termination |
| Gender | Male |
| Size | 24 B |
| Number of contacts | 8 |
| PE contact | Yes |

Technical characteristics

| | |
|---------------------------|---------------------------|
| Conductor cross-section | 10 ... 25 mm ² |
| Wire outer diameter | ≤11.4 mm |
| Rated current | 100 A |
| Rated voltage | 690 V |
| Rated impulse voltage | 8 kV |
| Pollution degree | 3 |
| Rated current acc. to UL | 82 A |
| Rated voltage acc. to UL | 600 V |
| Rated current acc. to CSA | 100 A |
| Rated voltage acc. to CSA | 600 V |
| Insulation resistance | >10 ¹⁰ Ω |



Pushing Performance
Since 1945

Technical characteristics

| | |
|----------------------|---|
| Contact resistance | ≤0.5 mΩ |
| Stripping length | 13 ... 14 mm |
| Tightening torque | 6 Nm @ 10 mm ² 6 Nm @ 16 mm ² 7 Nm @ 25 mm ² |
| Limiting temperature | -40 ... +125 °C |
| Mating cycles | ≥500 |

Material properties

| | |
|---|--|
| Material (insert) | Polycarbonate (PC) |
| Colour (insert) | RAL 7032 (pebble grey) |
| Material (contacts) | Copper alloy |
| Surface (contacts) | Silver plated |
| Material flammability class acc. to UL 94 | V-0 |
| RoHS | compliant with exemption |
| RoHS exemptions | 6(c): Copper alloy containing up to 4 % lead by weight |
| ELV status | compliant with exemption |
| China RoHS | 50 |
| REACH Annex XVII substances | Not contained |
| REACH ANNEX XIV substances | Not contained |
| REACH SVHC substances | Yes |
| REACH SVHC substances | Lead |
| ECHA SCIP number | 5dbb3851-b94e-4e88-97a1-571845975242 |
| California Proposition 65 substances | Yes |
| California Proposition 65 substances | Lead Nickel |
| Fire protection on railway vehicles | EN 45545-2 (2020-08) |
| Requirement set with Hazard Levels | R22 (HL 1-3) R23 (HL 1-3) |

Specifications and approvals

| | |
|----------------|--------------------------|
| Specifications | IEC 60664-1 IEC 61984 |
| Approvals | DNV GL |



Pushing Performance
Since 1945

Specifications and approvals

| | |
|----------|--|
| UL / CSA | UL 1977 ECBT2.E235076 CSA-C22.2 No. 182.3 ECBT8.E235076 |
|----------|--|

Commercial data

| | |
|--------------------------------|---|
| Packaging size | 1 |
| Net weight | 304.75 g |
| Country of origin | Romania |
| European customs tariff number | 85366990 |
| GTIN | 5713140056305 |
| eCl@ss | 27440205 Contact insert for industrial connectors |