

**PLEASE CHECK WWW.MOLEX.COM FOR LATEST PART INFORMATION**

**Part Number:** [0506370028](#)  
**Status:** **Active**  
**Description:** 2.00mm Pitch Crimp Terminal, Female, Reel, Lead Free

**Documents:**

|                                |  |
|--------------------------------|--|
| <a href="#">3D Model</a>       | <a href="#">Product Specification PS-58719-006-001 (PDF)</a> |
| <a href="#">Drawing (PDF)</a>  | <a href="#">RoHS Certificate of Compliance (PDF)</a>         |
| <a href="#">3D Model (PDF)</a> |  |

**General**

|                         |                                   |
|-------------------------|-----------------------------------|
| Product Family          | Crimp Terminals                   |
| Series                  | <a href="#">50637</a>             |
| Application             | Power, Wire-to-Board              |
| Crimp Quality Equipment | Yes                               |
| Packaging Alternative   | <a href="#">506370128 (Loose)</a> |
| Product Name            | N/A                               |
| Taxonomy                | Crimp Terminals                   |
| UPC                     | 822348143429                      |

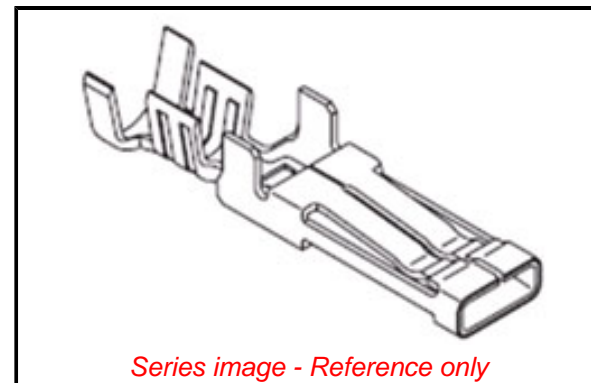
**Physical**

|                                |                      |
|--------------------------------|----------------------|
| Gender                         | Female               |
| Material - Metal               | Copper               |
| Material - Plating Mating      | Gold                 |
| Material - Plating Termination | Tin                  |
| Net Weight                     | 608.741/mg           |
| Packaging Type                 | Reel                 |
| Plating min - Mating           | 0.102µm              |
| Plating min - Termination      | 1.016µm              |
| Termination Interface: Style   | Crimp or Compression |
| Wire Insulation Diameter       | 3.20-3.80mm          |
| Wire Size AWG                  | 14, 16, 18           |
| Wire Size mm <sup>2</sup>      | N/A                  |

**Material Info**

**Reference - Drawing Numbers**

|                       |                  |
|-----------------------|------------------|
| Product Specification | PS-58719-006-001 |
| Sales Drawing         | SD-50637-001-001 |



**EU ELV**

**Not Relevant**

**EU RoHS**

**Compliant**

**REACH SVHC**

Not Contained Per -  
D(2022)4187-DC (10  
June 2022)

**Halogen-Free**

**Status**

**Low-Halogen**

For more information, please visit [Contact US](#)

China ROHS

ELV

RoHS Phthalates

**China RoHS**

Green Image

Not Relevant

Not Contained

**Search Parts in this Series**

[50637](#) Series

**Mates With**

[50638](#) Male Crimp Terminal

**Application Tooling | FAQ**

*Tooling specifications and manuals are found by selecting the products below. Crimp Height Specifications are then contained in the Application Tooling Specification document.*

**Global**

| Description   | Product #                 |
|---|---------------------------|
| Extraction Tool for RCM Connector System                | <a href="#">638133501</a> |
| Hand Crimp Tool for 2.00mm Pitch Female Crimp Terminals | <a href="#">638231400</a> |
| T2 Terminator Die                                       | <a href="#">638526100</a> |
| FineAdjust Applicator                                   | <a href="#">638626100</a> |

**Japan**

| Description | Product # |
|-------------|-----------|
|-------------|-----------|

Applicator for M211A 573553000  
Bench Press, 14-18  
AWG Wire

This document was generated on 10/20/2022

**PLEASE CHECK [WWW.MOLEX.COM](http://WWW.MOLEX.COM) FOR LATEST PART INFORMATION**