

Han TC350 PE female contact M10 screw

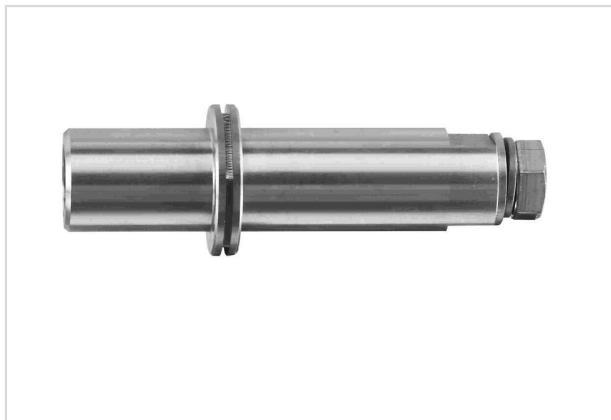


Image is for illustration purposes only. Please refer to product description.

Part number	09 11 000 6258
Specification	Han TC350 PE female contact M10 screw
HARTING eCatalogue	https://b2b.harting.com/09110006258

Identification

Category	Contacts
Series	TC 350
Type of contact	PE contact

Version

Termination method	Screw termination
Gender	Female
Manufacturing process	Turned contacts

Details

The vibration and shock resistance can only be met if the cables are fixed at an appropriate distance. Instructions for the spacing of strain relief can be found in the document in eCatalogue under the section Instructions.

Technical characteristics

Conductor cross-section	120 mm ²
Operating current	≤350 A
Contact resistance	≤0.2 mΩ
Tightening torque	14 Nm
Limiting temperature	-40 ... +125 °C
Mating cycles	≥500
Vibration resistance	Category 2 acc. to IEC 61373
Shock resistance	Category 2 acc. to IEC 61373

Material properties

Material (contacts)	Copper alloy
---------------------	--------------



Pushing Performance
Since 1945

Material properties

Surface (contacts)	Silver plated
RoHS	compliant with exemption
RoHS exemptions	6(c): Copper alloy containing up to 4 % lead by weight
ELV status	compliant with exemption
China RoHS	50
REACH Annex XVII substances	Not contained
REACH ANNEX XIV substances	Not contained
REACH SVHC substances	Yes
REACH SVHC substances	Lead
ECHA SCIP number	b51e5b97-eeb5-438b-8538-f1771d43c17d
California Proposition 65 substances	Yes
California Proposition 65 substances	Lead Nickel

Specifications and approvals

Specifications	IEC 60664-1 IEC 61984
----------------	--------------------------

Commercial data

Packaging size	1
Net weight	234 g
Country of origin	Germany
European customs tariff number	85359000
GTIN	5713140188600
eCl@ss	27440204 Contact for industrial connectors