

Technical Characteristics

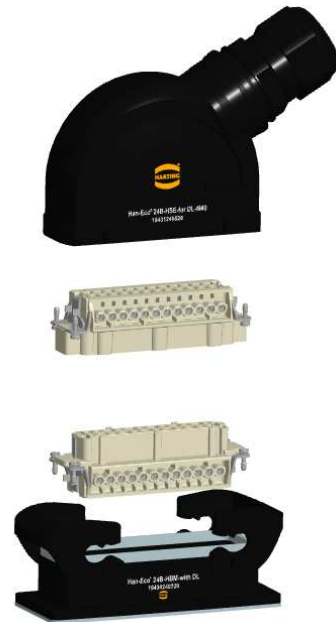
Part Number

Han 24B ECO Rear-Mount Kit

Hood	Angled Entry
Housing	Double Lever Bulkhead
Material	Polyamide Plastic
IP / NEMA	IP65 / 4, 4x, 12
Temp Rating	-40 to +125C
Cable Gland	M40 Plastic
Cable Diameter	16 – 28mm
Insert	Han 24E, 24+GND
Screw Terminals	18-14AWG
Wire Stripping Length	7.5mm
Mating Cycles	>500
Flammability	V-0

73 10 100 0004

UL508

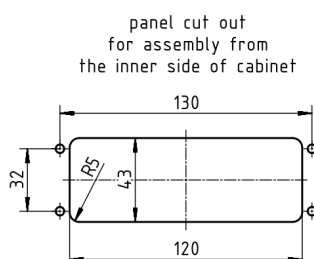
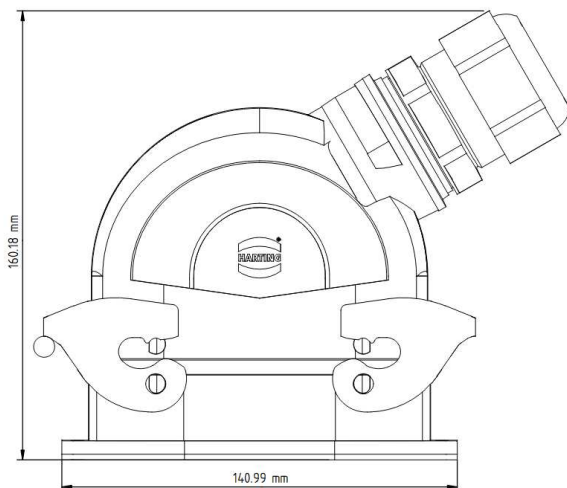


Electrical Characteristics

Rated Current	16amps
Rated Voltage	600V
Rated Impulse Voltage	6kV

Drawings and Assembly Information

Dimensions in mm



Tooling and Torque Values

Type	Tool	Torque (Nm)
Terminal Screws (M3)	PH1 or Slotted 0.6 x 3.5	0.50
Fixing Screw (M3)	PH2 or Slotted 0.6 x 3.5	0.50
Mounting Screws (M4 recommended)	-	0.8...1.0
Cable Gland (M40)	SW46	20

Kit Contents

Male Insert	09 33 024 2601
Female insert	09 33 024 2701
Housing	19 43 024 0320
Hood & Gland	19 43 124 0528

For further information, please reach out to techsupportUS@HARTING.com