

## Technical Characteristics

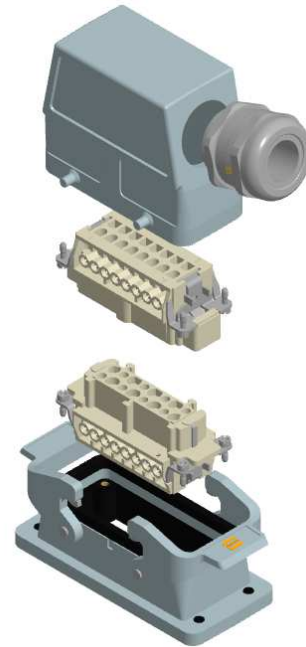
Part Number

### Han 16B Rear-Mount Kit

Hood	Side Entry
Housing	Double Lever Bulkhead
Material	Die Cast Aluminum
IP / NEMA	IP66 / 4, 4x, 12
Temp Rating	-40 to +125C
Cable Gland	M32 Metal
Cable Diameter	13-20mm / 18-25mm
Insert	Han 16E, 16+GND
Screw Terminals	18-14AWG
Wire Strip Length	7.5mm
Mating Cycles	>500
Flammability	V-0

**73 10 100 0007**

**UL508**

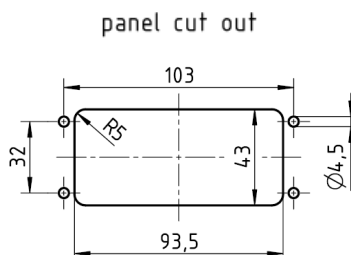
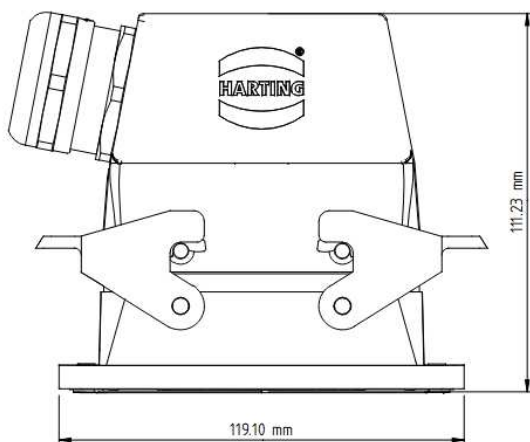


### Electrical Characteristics

Rated Current	16amps
Rated Voltage	600V
Rated Impulse Voltage	6kV

## Drawings and Assembly Information

Dimensions in mm



### Tooling and Torque Values

Type	Tool	Torque (Nm)
Terminal Screws (M3)	PH1 or Slotted 0.6 x 3.5	0.50
Fixing Screw (M3)	PH2 or Slotted 0.6 x 3.5	0.50
Mounting Screws (M4 recommended)	-	0.8...1.0
Cable Gland (M32)	SW 40	15

### Kit Contents

Male Insert	09 33 016 2601
Female insert	09 33 016 2701
Housing	09 30 016 0391
Hood	19 30 016 0527
Cable Gland	19 00 000 5095