
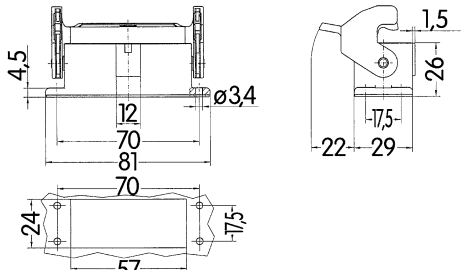

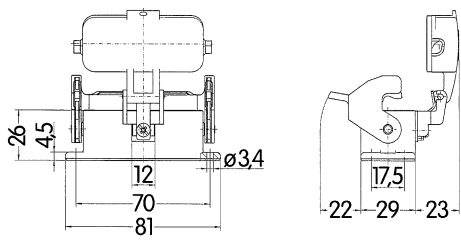

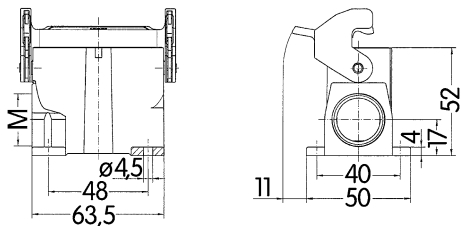

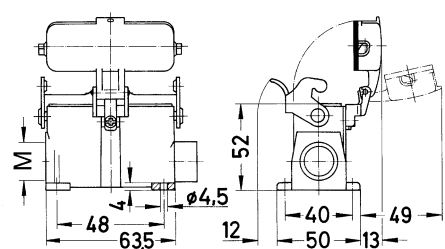



Identification	Cable entry	Part number		Drawing (dimensions in mm)
		Low construction	High construction	
Han A®, Bulkhead mounted housing, Han-Easy Lock®, IP65  		09 20 010 0301		 <p>Panel cut out</p>
Han A®, Bulkhead mounted housing, With thermo-plastic cover, Han-Easy Lock®, IP65  		09 20 010 0321		
Han A®, Surface mounted housing, Side entry, Han-Easy Lock®, IP65  	1x M25 2x M20	19 20 010 0251 19 20 010 0290		
Han A®, Surface mounted housing, With thermo-plastic cover, Side entry, Han-Easy Lock®, IP65  	2x M20	19 20 010 0295		
Han A®, Cable to cable housing, Top entry, Han-Easy Lock®, IP65  	1x M20	19 20 010 1730		