

Han Guiding Dummy module, female

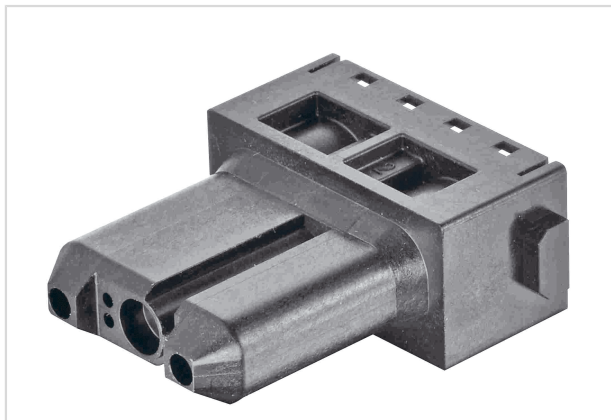


Image is for illustration purposes only. Please refer to product description.

Part number	09 14 003 3150
Specification	Han Guiding Dummy module, female
HARTING eCatalogue	https://b2b.harting.com/09140033150

Identification

Category	Modules
Series	Han-Modular®
Type of module	Han® Guiding module
Size of the module	Single module
Description of the module	Dummy module

Version

Gender	Female
--------	--------

Technical characteristics

Limiting temperature	-40 ... +125 °C
Mating cycles	≥500
Lock-in range	±4 mm

Material properties

Material (insert)	Polycarbonate (PC)
Colour (insert)	RAL 9005 (jet black)
Material flammability class acc. to UL 94	V-0
RoHS	compliant
ELV status	compliant
China RoHS	e
REACH Annex XVII substances	Not contained
REACH ANNEX XIV substances	Not contained



Pushing Performance
Since 1945

Material properties

REACH SVHC substances	Not contained
California Proposition 65 substances	Not contained
Fire protection on railway vehicles	EN 45545-2 (2020-08)
Requirement set with Hazard Levels	R22 (HL 1-3) R23 (HL 1-3)

Specifications and approvals

Specifications	IEC 60664-1 IEC 61984
----------------	--------------------------

Commercial data

Packaging size	2
Net weight	1 g
Country of origin	China
European customs tariff number	85389099
GTIN	5713140184688
eCl@ss	27440392 Connector (accessories)