

strain relief for Flexbox hood 3 entries

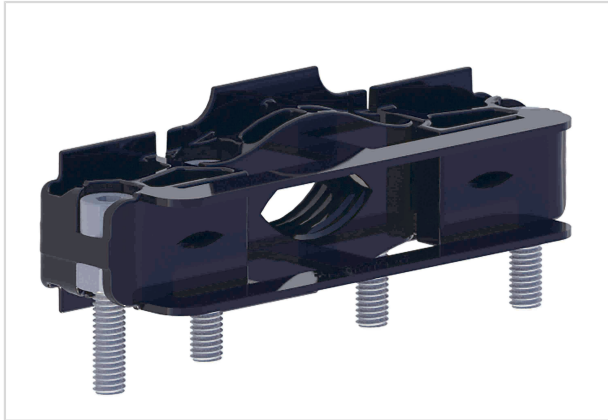


Image is for illustration purposes only. Please refer to product description.

Part number	09 14 000 8033
Specification	strain relief for Flexbox hood 3 entries
HARTING eCatalogue	https://b2b.harting.com/09140008033

Identification

Category	Accessories
Type of accessory	Strain relief
Description of the accessory	3 cable entries

Material properties

Material (accessories)	Polyamide (PA) Fibre-glass reinforced
Colour (accessories)	RAL 9005 (jet black)
RoHS	compliant
ELV status	compliant
China RoHS	e
REACH Annex XVII substances	Not contained
REACH ANNEX XIV substances	Not contained
REACH SVHC substances	Not contained
Fire protection on railway vehicles	EN 45545-2 (2020-08)
Requirement set with Hazard Levels	R22 (HL 1-3) R23 (HL 1-3)

Commercial data

Packaging size	1
Net weight	30.7 g
Country of origin	China
European customs tariff number	85389099
GTIN	5713140194908



Pushing Performance
Since 1945

Commercial data

eCl@ss

27440392 Connector (accessories)
