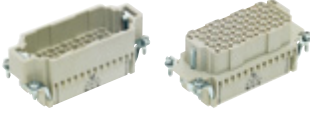
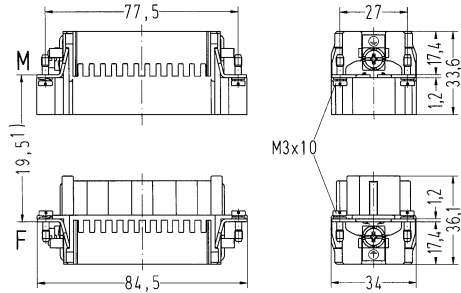
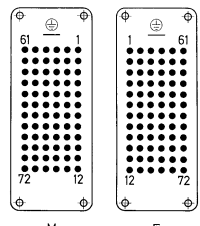
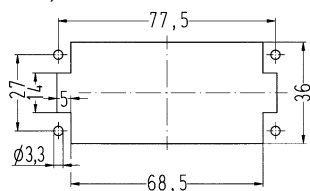


Number of contacts

72+

10 A 250 V 4 kV 3

Han
HMC

| Identification | Conductor cross-section (mm ²) | Part number | | Drawing (dimensions in mm) |
|---|--|----------------|----------------|--|
| | | Male | Female | |
| <p>Han DD[®] HMC, Crimp termination</p>  <p>Please order crimp contacts separately.</p> | 0.14 ... 2.5 | 09 16 272 3001 | 09 16 272 3101 |  <p>1) distance for contact max. 21 mm</p>  <p>M F</p> <p>Contact arrangement (view from termination side)</p>  <p>Panel cut out for use without Hoods/Housings</p> |