
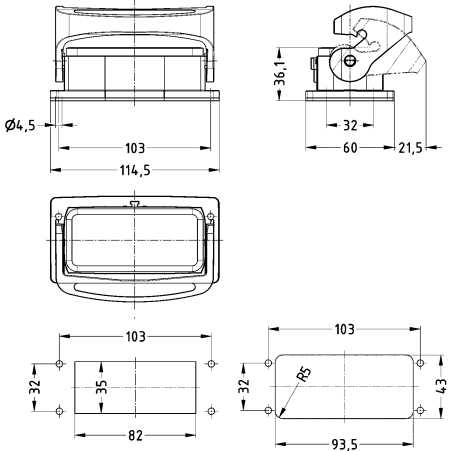

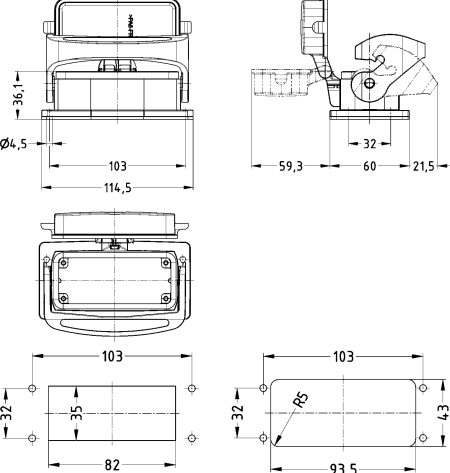



Identification	Cable entry	Clamping range (mm)	Part number	Drawing (dimensions in mm)
<p>Han-Eco® B, Bulkhead mounted housing, Without frame, IP66</p>  <p>Please order frame 19 43 016 0001 separately.</p>			<p>19 43 216 0330</p>	 <p>Panel cut out Front mounting / Rear mounting</p>
<p>Han-Eco® B, Bulkhead mounted housing, With thermo-plastic cover, IP66</p> 			<p>19 43 216 0341</p>	 <p>Panel cut out Front mounting / Rear mounting</p>
<p>Han-Eco® B, Surface mounted housing, With integrated cable gland, Side entry, IP66</p> 	<p>1x M25 1x M32 1x M40 2x M25 2x M32 2x M40</p>	<p>9 ... 17 13 ... 21 16 ... 28 9 ... 17 13 ... 21 16 ... 28</p>	<p>19 43 316 0251 19 43 316 0252 19 43 316 0253 19 43 316 0291 19 43 316 0292 19 43 316 0293</p>	