

74HC3G14; HCT3G14

Triple inverting Schmitt trigger

Rev. 6 — 1 February 2019

Product data sheet

1. General description

The 74HC3G14; 74HCT3G14 is a triple inverter with Schmitt-trigger inputs. Inputs include clamp diodes. This enables the use of current limiting resistors to interface inputs to voltages in excess of V_{CC} . Schmitt trigger inputs transform slowly changing input signals into sharply defined jitter-free output signals.

2. Features and benefits

- Wide supply voltage range from 2.0 V to 6.0 V
- Complies with JEDEC standard no. 7A
- Input levels:
 - For 74HC3G14: CMOS level
 - For 74HCT3G14: TTL level
- High noise immunity
- Low power dissipation
- Balanced propagation delays
- Unlimited input rise and fall times
- Multiple package options
- ESD protection:
 - HBM JESD22-A114E exceeds 2000 V
 - MM JESD22-A115-A exceeds 200 V
- Specified from -40 °C to +85 °C and -40 °C to +125 °C

3. Applications

- Wave and pulse shaper for highly noisy environments
- Astable multivibrators
- Monostable multivibrators

4. Ordering information

Table 1. Ordering information

Type number	Package			Version
	Temperature range	Name	Description	
74HC3G14DP	-40 °C to +125 °C	TSSOP8	plastic thin shrink small outline package; 8 leads; body width 3 mm; lead length 0.5 mm	SOT505-2
74HCT3G14DP				
74HC3G14DC	-40 °C to +125 °C	VSSOP8	plastic very thin shrink small outline package; 8 leads; body width 2.3 mm	SOT765-1
74HCT3G14DC				

5. Marking

Table 2. Marking

Type number	Marking code [1]
74HC3G14DP	H14
74HCT3G14DP	T14
74HC3G14DC	H14
74HCT3G14DC	T14

[1] The pin 1 indicator is located on the lower left corner of the device, below the marking code.

6. Functional diagram

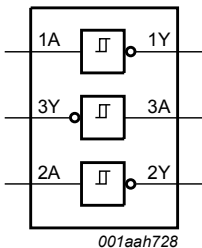


Fig. 1. Logic symbol

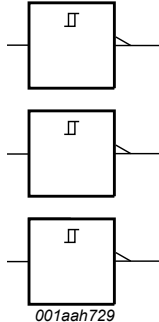


Fig. 2. IEC logic symbol

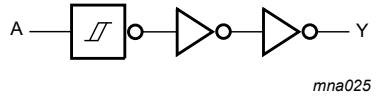


Fig. 3. Logic diagram (one Schmitt trigger)

7. Pinning information

7.1. Pinning

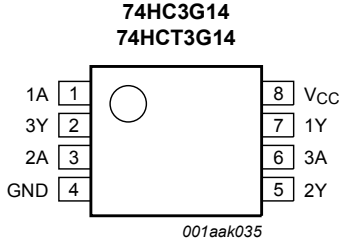


Fig. 4. Pin configuration SOT505-2 (TSSOP8) and SOT765-1 (VSSOP8)

7.2. Pin description

Table 3. Pin description

Symbol	Pin	Description
1A, 2A, 3A	1, 3, 6	data input
GND	4	ground (0 V)
1Y, 2Y, 3Y	7, 5, 2	data output
V _{CC}	8	supply voltage

8. Functional description

Table 4. Function table

H = HIGH voltage level; L = LOW voltage level.

Input	Output
nA	nY
L	H
H	L

9. Limiting values

Table 5. Limiting values

In accordance with the Absolute Maximum Rating System (IEC 60134). Voltages are referenced to GND (ground = 0 V).

Symbol	Parameter	Conditions	Min	Max	Unit
V_{CC}	supply voltage		-0.5	+7.0	V
I_{IK}	input clamping current	$V_I < -0.5\text{ V}$ or $V_I > V_{CC} + 0.5\text{ V}$ [1]	-	± 20	mA
I_{OK}	output clamping current	$V_O < -0.5\text{ V}$ or $V_O > V_{CC} + 0.5\text{ V}$ [1]	-	± 20	mA
I_O	output current	$V_O = -0.5\text{ V}$ to $V_{CC} + 0.5\text{ V}$ [1]	-	± 25	mA
I_{CC}	supply current	[1]	-	+50	mA
I_{GND}	ground current	[1]	-50	-	mA
T_{stg}	storage temperature		-65	+150	°C
P_{tot}	total power dissipation	[2]	-	300	mW

[1] The input and output voltage ratings may be exceeded if the input and output current ratings are observed.

[2] For TSSOP8 package: above 55 °C the value of P_{tot} derates linearly with 2.5 mW/K.
For VSSOP8 package: above 110 °C the value of P_{tot} derates linearly with 8 mW/K.

10. Recommended operating conditions

Table 6. Recommended operating conditions

Voltages are referenced to GND (ground = 0 V).

Symbol	Parameter	Conditions	74HC3G14			74HCT3G14			Unit
			Min	Typ	Max	Min	Typ	Max	
V_{CC}	supply voltage		2.0	5.0	6.0	4.5	5.0	5.5	V
V_I	input voltage		0	-	V_{CC}	0	-	V_{CC}	V
V_O	output voltage		0	-	V_{CC}	0	-	V_{CC}	V
T_{amb}	ambient temperature		-40	+25	+125	-40	+25	+125	°C

11. Static characteristics

Table 7. Static characteristics

Voltages are referenced to GND (ground = 0 V). All typical values are measured at $T_{amb} = 25\text{ °C}$.

Symbol	Parameter	Conditions	25 °C			-40 °C to +85 °C		-40 °C to +125 °C		Unit
			Min	Typ	Max	Min	Max	Min	Max	
74HC3G14										
V _{OH}	HIGH-level output voltage	V _I = V _{T+} or V _{T-}								
		I _O = -20 μA; V _{CC} = 2.0 V	1.9	2.0	-	1.9	-	1.9	-	V
		I _O = -20 μA; V _{CC} = 4.5 V	4.4	4.5	-	4.4	-	4.4	-	V
		I _O = -20 μA; V _{CC} = 6.0 V	5.9	6.0	-	5.9	-	5.9	-	V
		I _O = -4.0 mA; V _{CC} = 4.5 V	4.18	4.32	-	4.13	-	3.7	-	V
		I _O = -5.2 mA; V _{CC} = 6.0 V	5.68	5.81	-	5.63	-	5.2	-	V
V _{OL}	LOW-level output voltage	V _I = V _{T+} or V _{T-}								
		I _O = 20 μA; V _{CC} = 2.0 V	-	0	0.1	-	0.1	-	0.1	V
		I _O = 20 μA; V _{CC} = 4.5 V	-	0	0.1	-	0.1	-	0.1	V
		I _O = 20 μA; V _{CC} = 6.0 V	-	0	0.1	-	0.1	-	0.1	V
		I _O = 4.0 mA; V _{CC} = 4.5 V	-	0.15	0.26	-	0.33	-	0.4	V
		I _O = 5.2 mA; V _{CC} = 6.0 V	-	0.16	0.26	-	0.33	-	0.4	V
I _I	input leakage current	V _I = V _{CC} or GND; V _{CC} = 6.0 V	-	-	±0.1	-	±1.0	-	±1.0	μA
I _{CC}	supply current	per input pin; V _{CC} = 6.0 V; V _I = V _{CC} or GND; I _O = 0 A	-	-	1.0	-	10	-	20	μA
C _I	input capacitance		-	2.0	-	-	-	-	-	pF
74HCT3G14										
V _{OH}	HIGH-level output voltage	V _I = V _{T+} or V _{T-}								
		I _O = -20 μA; V _{CC} = 4.5 V	4.4	4.5	-	4.4	-	4.4	-	V
		I _O = -4.0 mA; V _{CC} = 4.5 V	4.18	4.32	-	4.13	-	3.7	-	V
V _{OL}	LOW-level output voltage	V _I = V _{IH} or V _{IL}								
		I _O = 20 μA; V _{CC} = 4.5 V	-	0	0.1	-	0.1	-	0.1	V
		I _O = 4.0 mA; V _{CC} = 4.5 V	-	0.15	0.26	-	0.33	-	0.4	V
I _I	input leakage current	V _I = V _{CC} or GND; V _{CC} = 5.5 V	-	-	±0.1	-	±1.0	-	±1.0	μA
I _{CC}	supply current	per input pin; V _{CC} = 5.5 V; V _I = V _{CC} or GND; I _O = 0 A	-	-	1.0	-	10	-	20	μA
ΔI _{CC}	additional supply current	per input; V _{CC} = 4.5 V to 5.5 V; V _I = V _{CC} - 2.1 V; I _O = 0 A	-	-	300	-	375	-	410	μA
C _I	input capacitance		-	2.0	-	-	-	-	-	pF

11.1. Transfer characteristics

Table 8. Transfer characteristics

Voltages are referenced to GND (ground = 0 V); for test circuit see Fig. 10.

Symbol	Parameter	Conditions	25 °C			-40 °C to +125 °C			Unit
			Min	Typ	Max	Min	Max (85 °C)	Max (125 °C)	
74HC3G14									
V _{T+}	positive-going threshold voltage	see Fig. 5, Fig. 6							
		V _{CC} = 2.0 V	1.00	1.18	1.50	1.00	1.50	1.50	V
		V _{CC} = 4.5 V	2.30	2.60	3.15	2.30	3.15	3.15	V
		V _{CC} = 6.0 V	3.00	3.46	4.20	3.00	4.20	4.20	V
V _{T-}	negative-going threshold voltage	see Fig. 5, Fig. 6							
		V _{CC} = 2.0 V	0.30	0.60	0.90	0.30	0.90	0.90	V
		V _{CC} = 4.5 V	1.13	1.47	2.00	1.13	2.00	2.00	V
		V _{CC} = 6.0 V	1.50	2.06	2.60	1.50	2.60	2.60	V
V _H	hysteresis voltage (V _{T+} - V _{T-}); see Fig. 5, Fig. 6 and Fig. 7								
		V _{CC} = 2.0 V	0.30	0.60	1.00	0.30	1.00	1.00	V
		V _{CC} = 4.5 V	0.60	1.13	1.40	0.60	1.40	1.40	V
		V _{CC} = 6.0 V	0.80	1.40	1.70	0.80	1.70	1.70	V
74HCT3G14									
V _{T+}	positive-going threshold voltage	see Fig. 5, Fig. 6							
		V _{CC} = 4.5 V	1.20	1.58	1.90	1.20	1.90	1.90	V
		V _{CC} = 5.5 V	1.40	1.78	2.10	1.40	2.10	2.10	V
V _{T-}	negative-going threshold voltage	see Fig. 5, Fig. 6							
		V _{CC} = 4.5 V	0.50	0.87	1.20	0.50	1.20	1.20	V
		V _{CC} = 5.5 V	0.60	1.11	1.40	0.60	1.40	1.40	V
V _H	hysteresis voltage (V _{T+} - V _{T-}); see Fig. 5, Fig. 6 and Fig. 8								
		V _{CC} = 4.5 V	0.40	0.71	-	0.40	-	-	V
		V _{CC} = 5.5 V	0.40	0.67	-	0.40	-	-	V

11.2. Transfer characteristics waveforms

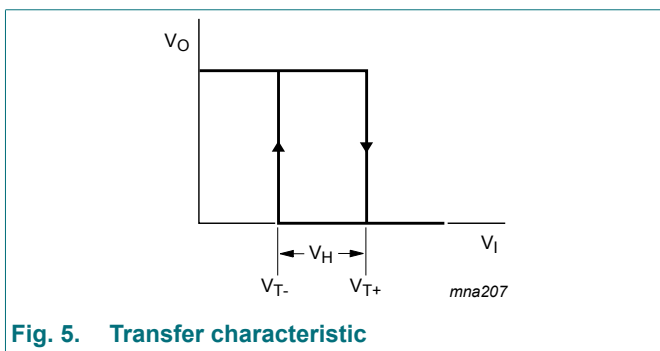


Fig. 5. Transfer characteristic

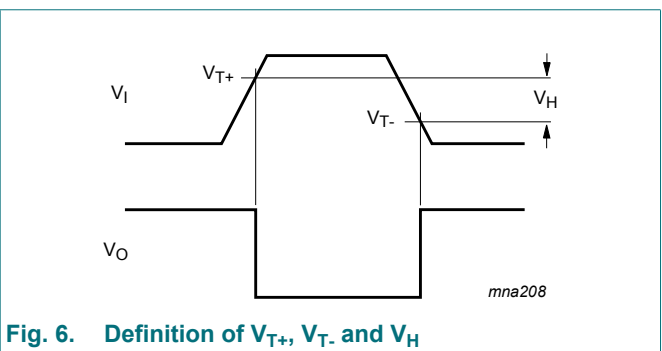


Fig. 6. Definition of V_{T+}, V_{T-} and V_H

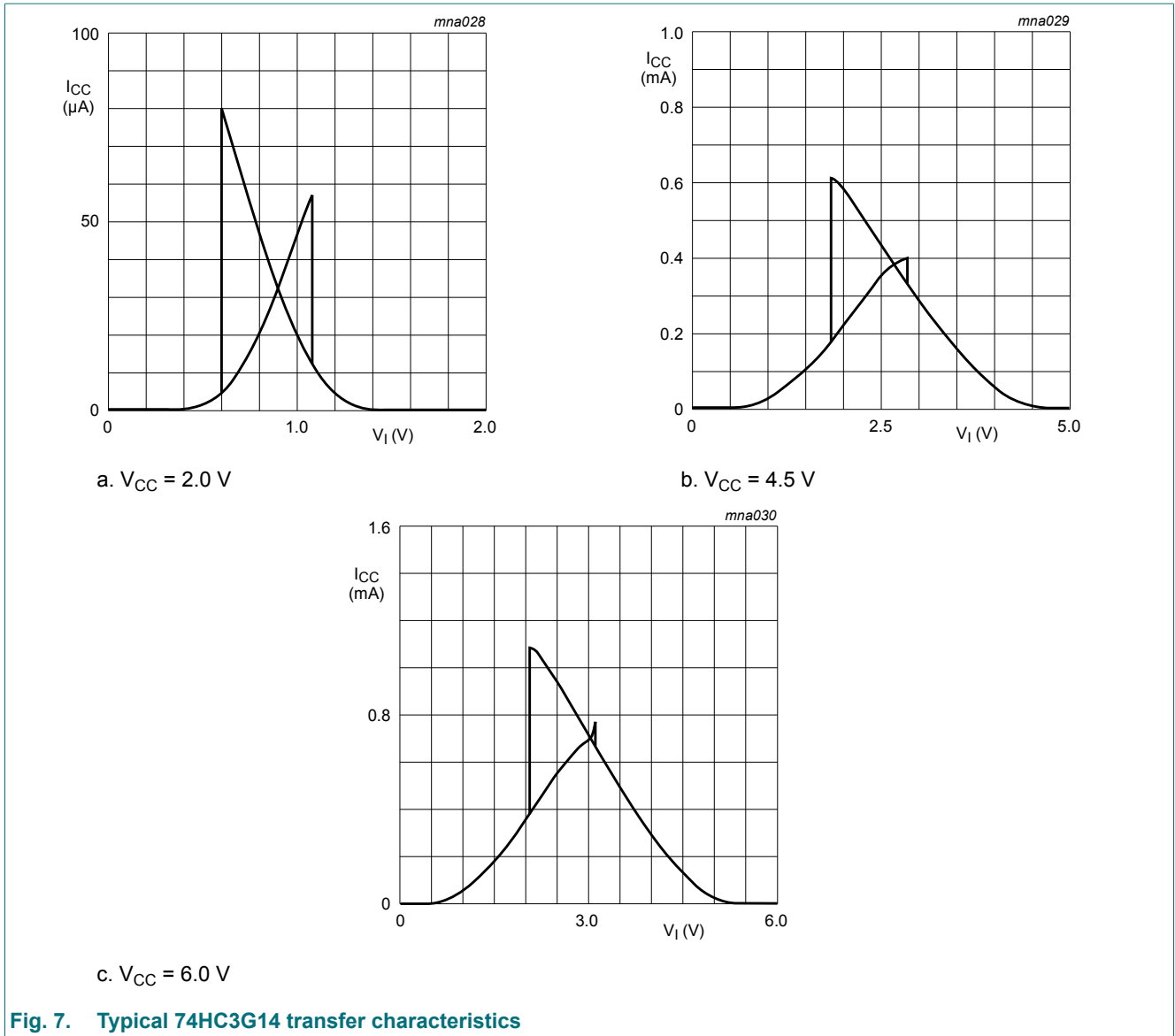


Fig. 7. Typical 74HC3G14 transfer characteristics

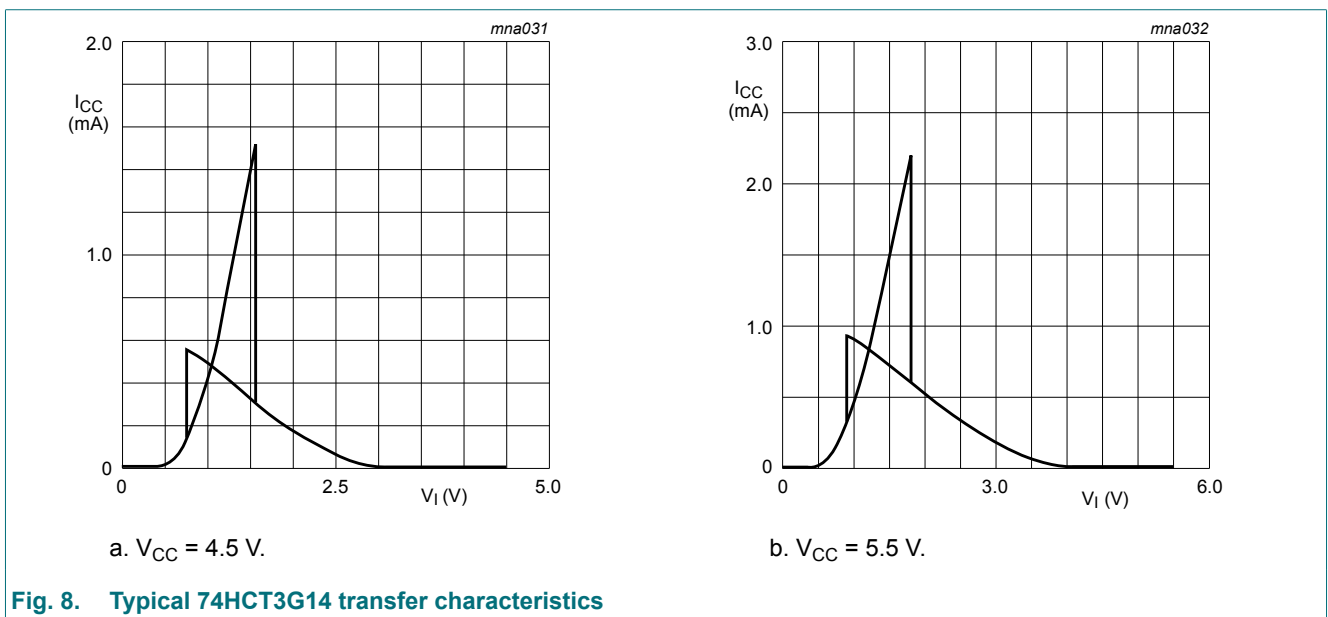


Fig. 8. Typical 74HCT3G14 transfer characteristics

12. Dynamic characteristics

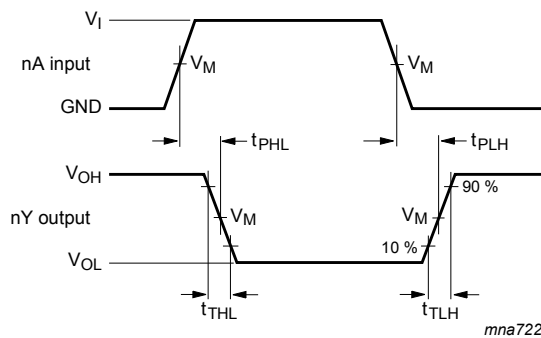
Table 9. Dynamic characteristics

Voltages are referenced to GND (ground = 0 V); for test circuit see Fig. 10.

Symbol	Parameter	Conditions	25 °C			-40 °C to +125 °C			Unit
			Min	Typ	Max	Min	Max (85 °C)	Max (125 °C)	
74HC3G14									
t _{pd}	propagation delay	nA to nY; see Fig. 9 [1]							
		V _{CC} = 2.0 V	-	53	125	-	155	190	ns
		V _{CC} = 4.5 V	-	16	25	-	31	38	ns
		V _{CC} = 6.0 V	-	13	21	-	26	32	ns
t _t	transition time	nY; see Fig. 9 [2]							
		V _{CC} = 2.0 V	-	20	75	-	95	110	ns
		V _{CC} = 4.5 V	-	7	15	-	19	22	ns
		V _{CC} = 6.0 V	-	5	13	-	16	19	ns
C _{PD}	power dissipation capacitance	V _I = GND to V _{CC} [3]	-	10	-	-	-	-	pF
74HCT3G14									
t _{pd}	propagation delay	nA to nY; V _{CC} = 4.5 V; see Fig. 9 [1]	-	21	32	-	40	48	ns
t _t	transition time	nY; V _{CC} = 4.5 V; see Fig. 9 [2]	-	6	15	-	19	22	ns
C _{PD}	power dissipation capacitance	V _I = GND to V _{CC} - 1.5 V [3]	-	10	-	-	-	-	pF

- [1] t_{pd} is the same as t_{PLH} and t_{PHL}
- [2] t_t is the same as t_{TLH} and t_{THL}
- [3] C_{PD} is used to determine the dynamic power dissipation (P_D in μW).
 $P_D = C_{PD} \times V_{CC}^2 \times f_i \times N + \sum(C_L \times V_{CC}^2 \times f_o)$ where:
 f_i = input frequency in MHz;
 f_o = output frequency in MHz;
 C_L = output load capacitance in pF;
 V_{CC} = supply voltage in V;
 N = number of inputs switching;
 $\sum(C_L \times V_{CC}^2 \times f_o)$ = sum of the outputs.

12.1. Waveforms and test circuit



Measurement points are given in Table 10.

V_{OL} and V_{OH} are typical voltage output levels that occur with the output load.

Fig. 9. The data input (nA) to output (nY) propagation delays and output transition times

Table 10. Measurement points

Type	Input	Output
	V_M	V_M
74HC3G14	$0.5V_{CC}$	$0.5V_{CC}$
74HCT3G14	1.3 V	1.3 V

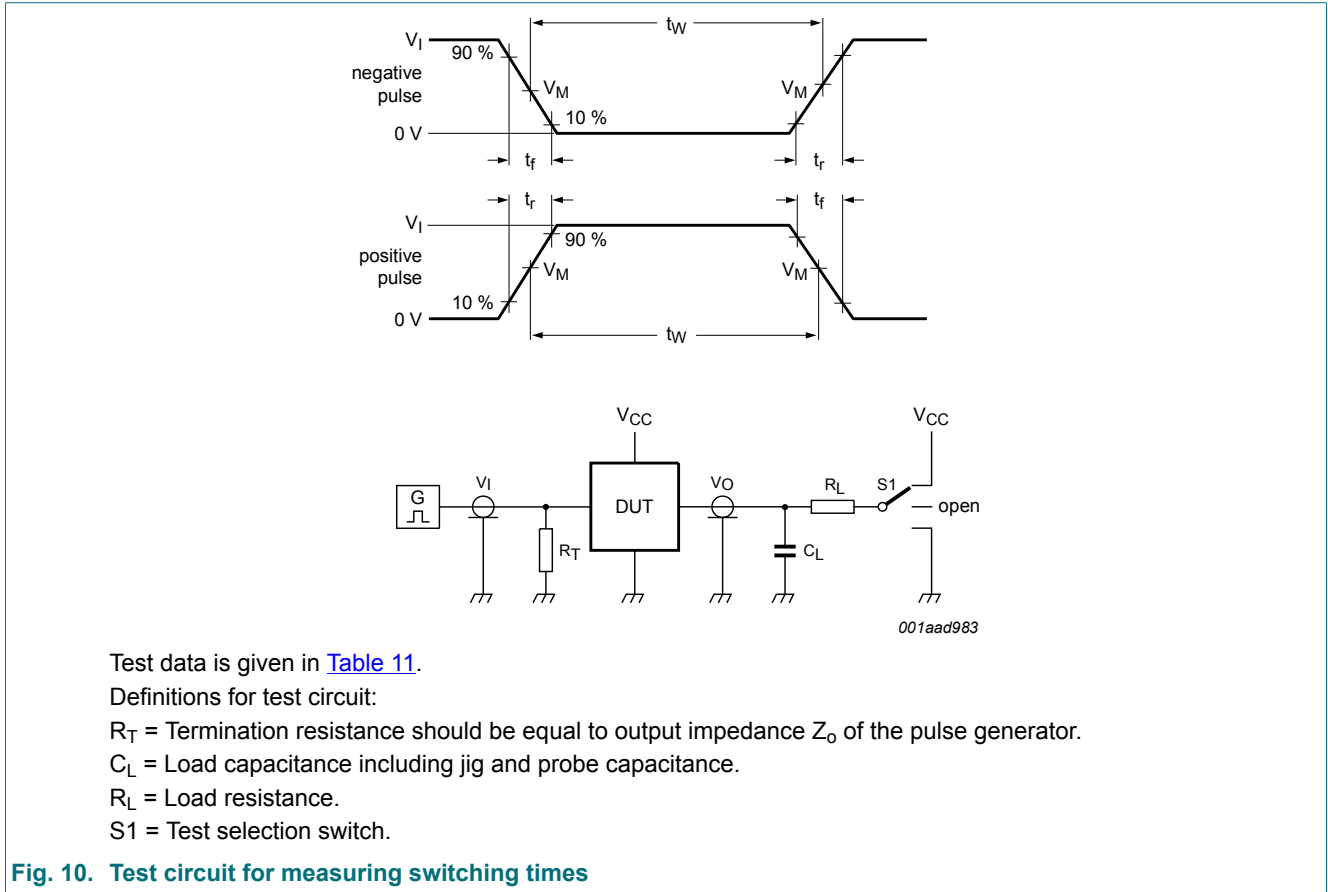


Fig. 10. Test circuit for measuring switching times

Table 11. Test data

Type	Input		Load		S1 position
	V_I	t_r, t_f	C_L	R_L	t_{PHL}, t_{PLH}
74HC3G14	GND to V_{CC}	≤ 6 ns	50 pF	1 k Ω	open
74HCT3G14	GND to 3.0 V	≤ 6 ns	50 pF	1 k Ω	open

13. Application information

The slow input rise and fall times cause additional power dissipation, which can be calculated using the following formula:

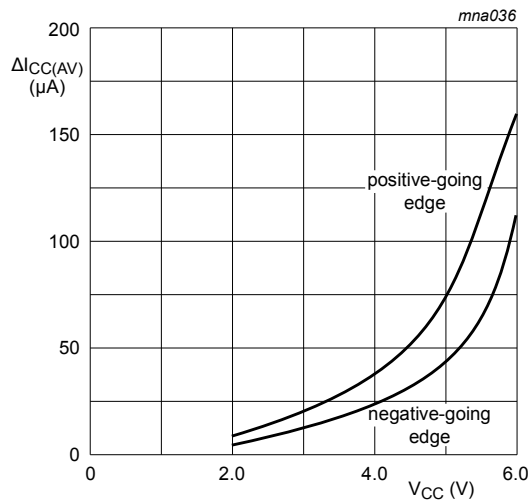
$$P_{add} = f_i \times (t_r \times \Delta I_{CC(AV)} + t_f \times \Delta I_{CC(AV)}) \times V_{CC}$$

where:

- P_{add} = additional power dissipation (μW);
- f_i = input frequency (MHz);
- t_r = input rise time (ns); 10 % to 90 %;
- t_f = input fall time (ns); 90 % to 10 %;
- $\Delta I_{CC(AV)}$ = average additional supply current (μA).

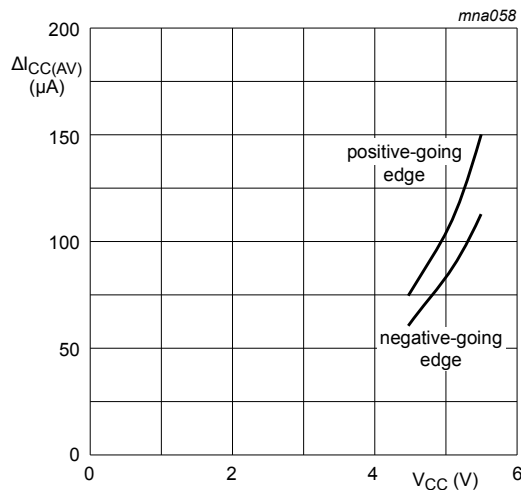
$\Delta I_{CC(AV)}$ differs with positive or negative input transitions, as shown in Fig. 11 and Fig. 12.

An example of a relaxation circuit using the 74HC3G14/74HCT3G14 is shown in Fig. 13.



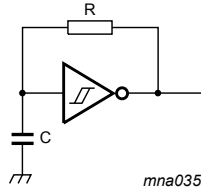
Linear change of V_I between $0.1V_{CC}$ to $0.9V_{CC}$.

Fig. 11. $\Delta I_{CC(AV)}$ as a function of V_{CC} for 74HC3G14



Linear change of V_I between $0.1V_{CC}$ to $0.9V_{CC}$.

Fig. 12. $\Delta I_{CC(AV)}$ as a function of V_{CC} for 74HCT3G14

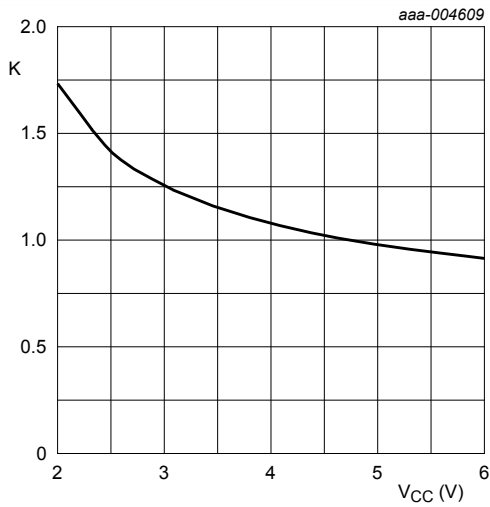


For 74HC3G14: $f = \frac{1}{T} \approx \frac{1}{0.8 \times RC}$

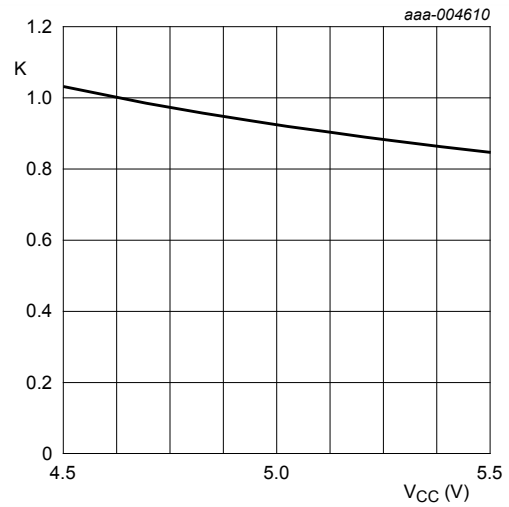
For 74HCT3G14: $f = \frac{1}{T} \approx \frac{1}{0.67 \times RC}$

For K-factor, see [Fig. 14](#)

Fig. 13. Relaxation oscillator



a. K-factor for 74HC3G14



b. K-factor for 74HCT3G14

Fig. 14. Typical K-factor for relaxation oscillator

14. Package outline

TSSOP8: plastic thin shrink small outline package; 8 leads; body width 3 mm; lead length 0.5 mm SOT505-2

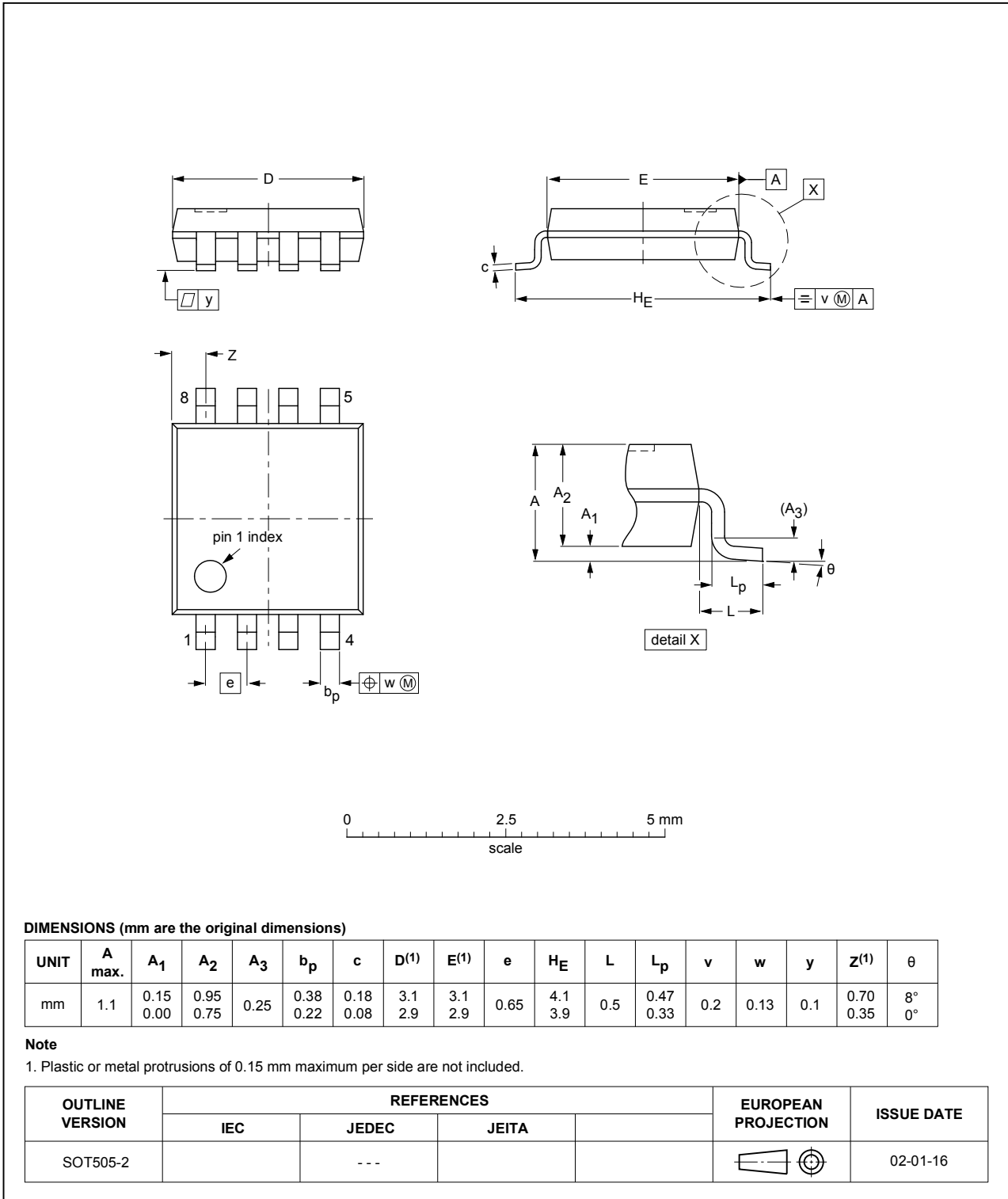


Fig. 15. Package outline SOT505-2 (TSSOP8)

VSSOP8: plastic very thin shrink small outline package; 8 leads; body width 2.3 mm

SOT765-1

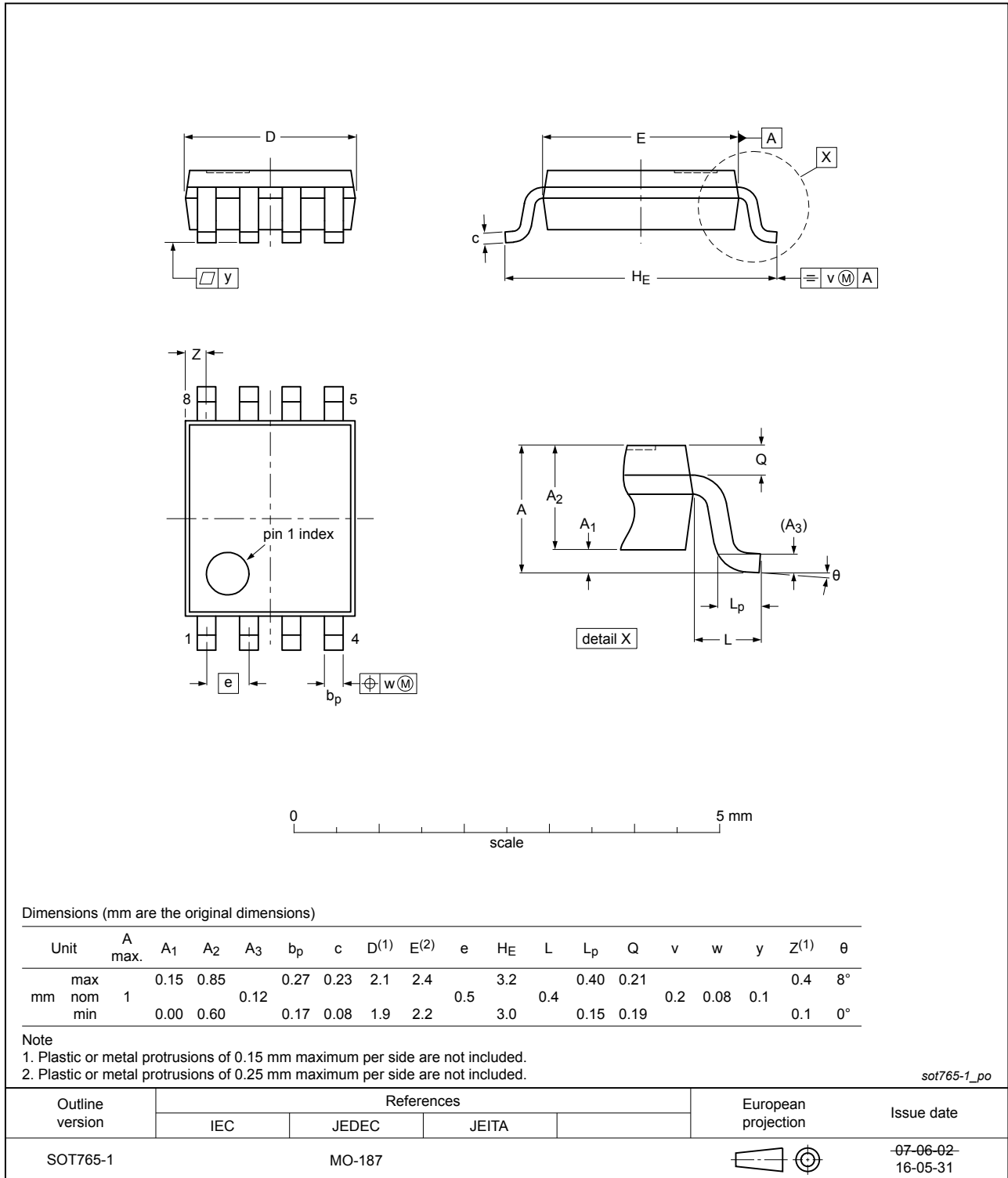


Fig. 16. Package outline SOT765-1 (VSSOP8)

15. Abbreviations

Table 12. Abbreviations

Acronym	Description
CMOS	Complementary Metal-Oxide Semiconductor
DUT	Device Under Test
ESD	ElectroStatic Discharge
HBM	Human Body Model
MM	Machine Model
TTL	Transistor-Transistor Logic

16. Revision history

Table 13. Revision history

Document ID	Release date	Data sheet status	Change notice	Supersedes
74HC_HCT3G14 v.6	20190201	Product data sheet	-	74HC_HCT3G14 v.5
Modifications:	<ul style="list-style-type: none"> The format of this data sheet has been redesigned to comply with the identity guidelines of Nexperia. Legal texts have been adapted to the new company name where appropriate. Type numbers 74HC3G14GD and 74HCT3G14GD (SOT996-2) removed. Package outline drawing SOT765-1 (VSSOP8) updated. 			
74HC_HCT3G14 v.5	20131209	Product data sheet	-	74HC_HCT3G14 v.4
Modifications:	<ul style="list-style-type: none"> Fig. 14 added (typical K-factor for relaxation oscillator). 			
74HC_HCT3G14 v.4	20131003	Product data sheet	-	74HC_HCT3G14 v.3
Modifications:	<ul style="list-style-type: none"> For type numbers 74HC3G14GD and 74HCT3G14GD XSON8U has changed to XSON8. 			
74HC_HCT3G14 v.3	20090508	Product data sheet	-	74HC_HCT3G14 v.2
74HC_HCT3G14 v.2	20031104	Product specification	-	74HC_HCT3G14 v.1
74HC_HCT3G14 v.1	20020723	Product specification	-	-

17. Legal information

Data sheet status

Document status [1][2]	Product status [3]	Definition
Objective [short] data sheet	Development	This document contains data from the objective specification for product development.
Preliminary [short] data sheet	Qualification	This document contains data from the preliminary specification.
Product [short] data sheet	Production	This document contains the product specification.

- [1] Please consult the most recently issued document before initiating or completing a design.
- [2] The term 'short data sheet' is explained in section "Definitions".
- [3] The product status of device(s) described in this document may have changed since this document was published and may differ in case of multiple devices. The latest product status information is available on the internet at <https://www.nexperia.com>.

Definitions

Draft — The document is a draft version only. The content is still under internal review and subject to formal approval, which may result in modifications or additions. Nexperia does not give any representations or warranties as to the accuracy or completeness of information included herein and shall have no liability for the consequences of use of such information.

Short data sheet — A short data sheet is an extract from a full data sheet with the same product type number(s) and title. A short data sheet is intended for quick reference only and should not be relied upon to contain detailed and full information. For detailed and full information see the relevant full data sheet, which is available on request via the local Nexperia sales office. In case of any inconsistency or conflict with the short data sheet, the full data sheet shall prevail.

Product specification — The information and data provided in a Product data sheet shall define the specification of the product as agreed between Nexperia and its customer, unless Nexperia and customer have explicitly agreed otherwise in writing. In no event however, shall an agreement be valid in which the Nexperia product is deemed to offer functions and qualities beyond those described in the Product data sheet.

Disclaimers

Limited warranty and liability — Information in this document is believed to be accurate and reliable. However, Nexperia does not give any representations or warranties, expressed or implied, as to the accuracy or completeness of such information and shall have no liability for the consequences of use of such information. Nexperia takes no responsibility for the content in this document if provided by an information source outside of Nexperia.

In no event shall Nexperia be liable for any indirect, incidental, punitive, special or consequential damages (including - without limitation - lost profits, lost savings, business interruption, costs related to the removal or replacement of any products or rework charges) whether or not such damages are based on tort (including negligence), warranty, breach of contract or any other legal theory.

Notwithstanding any damages that customer might incur for any reason whatsoever, Nexperia's aggregate and cumulative liability towards customer for the products described herein shall be limited in accordance with the Terms and conditions of commercial sale of Nexperia.

Right to make changes — Nexperia reserves the right to make changes to information published in this document, including without limitation specifications and product descriptions, at any time and without notice. This document supersedes and replaces all information supplied prior to the publication hereof.

Suitability for use — Nexperia products are not designed, authorized or warranted to be suitable for use in life support, life-critical or safety-critical systems or equipment, nor in applications where failure or malfunction of an Nexperia product can reasonably be expected to result in personal

injury, death or severe property or environmental damage. Nexperia and its suppliers accept no liability for inclusion and/or use of Nexperia products in such equipment or applications and therefore such inclusion and/or use is at the customer's own risk.

Quick reference data — The Quick reference data is an extract of the product data given in the Limiting values and Characteristics sections of this document, and as such is not complete, exhaustive or legally binding.

Applications — Applications that are described herein for any of these products are for illustrative purposes only. Nexperia makes no representation or warranty that such applications will be suitable for the specified use without further testing or modification.

Customers are responsible for the design and operation of their applications and products using Nexperia products, and Nexperia accepts no liability for any assistance with applications or customer product design. It is customer's sole responsibility to determine whether the Nexperia product is suitable and fit for the customer's applications and products planned, as well as for the planned application and use of customer's third party customer(s). Customers should provide appropriate design and operating safeguards to minimize the risks associated with their applications and products.

Nexperia does not accept any liability related to any default, damage, costs or problem which is based on any weakness or default in the customer's applications or products, or the application or use by customer's third party customer(s). Customer is responsible for doing all necessary testing for the customer's applications and products using Nexperia products in order to avoid a default of the applications and the products or of the application or use by customer's third party customer(s). Nexperia does not accept any liability in this respect.

Limiting values — Stress above one or more limiting values (as defined in the Absolute Maximum Ratings System of IEC 60134) will cause permanent damage to the device. Limiting values are stress ratings only and (proper) operation of the device at these or any other conditions above those given in the Recommended operating conditions section (if present) or the Characteristics sections of this document is not warranted. Constant or repeated exposure to limiting values will permanently and irreversibly affect the quality and reliability of the device.

Terms and conditions of commercial sale — Nexperia products are sold subject to the general terms and conditions of commercial sale, as published at <http://www.nexperia.com/profile/terms>, unless otherwise agreed in a valid written individual agreement. In case an individual agreement is concluded only the terms and conditions of the respective agreement shall apply. Nexperia hereby expressly objects to applying the customer's general terms and conditions with regard to the purchase of Nexperia products by customer.

No offer to sell or license — Nothing in this document may be interpreted or construed as an offer to sell products that is open for acceptance or the grant, conveyance or implication of any license under any copyrights, patents or other industrial or intellectual property rights.

Export control — This document as well as the item(s) described herein may be subject to export control regulations. Export might require a prior authorization from competent authorities.

Non-automotive qualified products — Unless this data sheet expressly states that this specific Nexperia product is automotive qualified, the product is not suitable for automotive use. It is neither qualified nor tested in accordance with automotive testing or application requirements. Nexperia accepts no liability for inclusion and/or use of non-automotive qualified products in automotive equipment or applications.

In the event that customer uses the product for design-in and use in automotive applications to automotive specifications and standards, customer (a) shall use the product without Nexperia's warranty of the product for such automotive applications, use and specifications, and (b) whenever customer uses the product for automotive applications beyond Nexperia's specifications such use shall be solely at customer's own risk, and (c) customer fully indemnifies Nexperia for any liability, damages or failed product claims resulting from customer design and use of the product for automotive applications beyond Nexperia's standard warranty and Nexperia's product specifications.

Translations — A non-English (translated) version of a document is for reference only. The English version shall prevail in case of any discrepancy between the translated and English versions.

Trademarks

Notice: All referenced brands, product names, service names and trademarks are the property of their respective owners.

Contents

1. General description	1
2. Features and benefits	1
3. Applications	1
4. Ordering information	1
5. Marking	2
6. Functional diagram	2
7. Pinning information	2
7.1. Pinning.....	2
7.2. Pin description.....	2
8. Functional description	3
9. Limiting values	3
10. Recommended operating conditions	3
11. Static characteristics	4
11.1. Transfer characteristics.....	5
11.2. Transfer characteristics waveforms.....	5
12. Dynamic characteristics	7
12.1. Waveforms and test circuit.....	7
13. Application information	9
14. Package outline	11
15. Abbreviations	13
16. Revision history	13
17. Legal information	14

© Nexperia B.V. 2019. All rights reserved

For more information, please visit: <http://www.nexperia.com>

For sales office addresses, please send an email to: salesaddresses@nexperia.com

Date of release: 1 February 2019