



ELECTRONICS, INC.
 44 FARRAND STREET
 BLOOMFIELD, NJ 07003
 (973) 748-5089
<http://www.nteinc.com>

NTE74HC08 Integrated Circuit TTL – High Speed CMOS, Quad, 2–Input AND Gate

Description:

The NTE74HC08 is a logic function in a 14–Lead plastic DIP type package fabricated using advanced silicon–gate CMOS technology which provides the inherent benefits of CMOS – low quiescent power and wide power supply range. This device is input and output characteristic and pinout compatible with standard NTE74LS logic families. All inputs are protected from static discharge damage by internal diodes to V_{CC} and ground.

The NTE74HC08 is intended to interface between TTL and NMOS components and standard CMOS devices. This device is also a plug–in replacement for LS–TTL devices and can be used to reduce power consumption in existing designs.

Features:

- Output Drive Capability: 10 LSTTL Loads
- Outputs Directly Interface to CMOS, NMOS, and TTL
- Operating Voltage range: 2V to 6V
- Low Input Current: 1.0 μ A
- High Noise Immunity Characteristics of CMOS Devices

Absolute Maximum Ratings: (Note 1, Note 2)

Supply Voltage, V_{CC}	-0.5 to +7.0V
DC Input Voltage, V_{IN}	-0.5 to $V_{CC} + 0.5V$
DC Output Voltage, V_{OUT}	-0.5 to $V_{CC} + 0.5V$
DC Input Current (Per Pin), I_{IN}	$\pm 20mA$
DC Output Current (Per Pin), I_{OUT}	$\pm 25mA$
DC V_{CC} or GND Current (Per Pin), I_{CC}	$\pm 50mA$
Power Dissipation (Note 3), P_D	600mW
Storage Temperature Range, T_{stg}	-65°C to +150°C
Lead Temperature (During Soldering, 10sec), T_L	+260°C

Note 1. Stresses exceeding the Absolute Maximum Ratings may damage the device. The device may not function or be operable above the Recommended Operating Conditions and stressing the parts to these levels is not recommended. In addition, extended exposure to stresses above the Recommended Operating Conditions may effect device reliability. The Absolute Maximum Ratings are stress ratings only.

Note 2. Unless otherwise specified, all voltages are referenced to GND.

Note 3. Power Dissipation temperature derating: 12mW/°C from +65°C to +85°C.

Recommended Operating Conditions:

Parameter	Symbol	Min	Typ	Max	Unit
Supply Voltage	V_{CC}	2.0	-	6.0	V
DC Input or Output Voltage	V_{IN}, V_{OUT}	0	-	V_{CC}	V
Operating Temperature Range	T_A	-55	-	+125	°C
Input Rise or Fall Times $V_{CC} = 2.0V$	t_r, t_f	-	-	1000	ns
$V_{CC} = 4.5V$		-	-	500	ns
$V_{CC} = 6.0V$		-	-	400	ns

DC Electrical Characteristics: (Voltages Referenced to GND unless otherwise specified)

Parameter	Symbol	Test Conditions	V_{CC} (V)	Guaranteed Limits			Unit	
				-55 to +25°C	≤ 85°C	≤ 125°C		
Minimum High Level Input Voltage	V_{IH}	$V_{OUT} = 0.1V$ or $V_{CC} - 0.1V$, $ I_{OUT} \leq 20\mu A$	2.0	1.50	1.50	1.50	V	
			3.0	2.10	2.10	2.10	V	
			4.5	3.15	3.15	3.15	V	
			6.0	4.20	4.20	4.20	V	
Maximum Low Level Input Voltage	V_{IL}	$V_{OUT} = 0.1V$ or $V_{CC} - 0.1V$, $ I_{OUT} \leq 20\mu A$	2.0	0.50	0.50	0.50	V	
			3.0	0.90	0.90	0.90	V	
			4.5	1.35	1.35	1.35	V	
			6.0	1.80	1.80	1.80	V	
Minimum High Level Output Voltage	V_{OH}	$V_{IN} = V_{IH}$ or V_{IL} , $ I_{OUT} \leq 20\mu A$	2.0	1.9	1.9	1.9	V	
			4.5	4.4	4.4	4.4	V	
			6.0	5.9	5.9	5.9	V	
	$V_{IN} = V_{IH}$ or V_{IL}	$ I_{OUT} \leq 2.4mA$	3.0	2.48	2.34	2.20	V	
			4.5	$ I_{OUT} \leq 4.0mA$	3.98	3.84	3.70	V
					6.0	5.48	5.34	5.20
Maximum Low Level Output Voltage	V_{OL}	$V_{IN} = V_{IH}$ or V_{IL} , $ I_{OUT} \leq 20\mu A$	2.0	0.1	0.1	0.1	V	
			4.5	0.1	0.1	0.1	V	
			6.0	0.1	0.1	0.1	V	
	$V_{IN} = V_{IH}$ or V_{IL}	$ I_{OUT} \leq 2.4mA$	3.0	0.26	0.33	0.40	V	
			4.5	$ I_{OUT} \leq 4.0mA$	0.26	0.33	0.40	V
					6.0	0.26	0.33	0.40
Maximum Input Leakage Current	I_{IN}	$V_{IN} = V_{CC}$ or GND	6.0	±0.1	±1.0	±1.0	μA	
Maximum Quiescent Supply Current	I_{CC}	$V_{IN} = V_{CC}$ or GND, $I_{OUT} = 0\mu A$	6.0	2.0	20	40	μA	

AC Electrical Characteristics: ($t_r = t_f = 6ns$, $C_L = 50pF$ unless otherwise specified)

Parameter	Symbol	Test Conditions	V_{CC} (V)	Guaranteed Limits			Unit
				-55 to +25°C	≤ 85°C	≤ 125°C	
Maximum Propagation Delay, Input A or B to Output Y	t_{PLH} , t_{PHL}		2.0	75	95	110	ns
			3.0	30	40	55	ns
			4.5	15	19	22	ns
			6.0	13	16	19	ns

AC Electrical Characteristics (Cont'd): ($t_r = t_f = 6\text{ns}$, $C_L = 50\text{pF}$ unless otherwise specified)

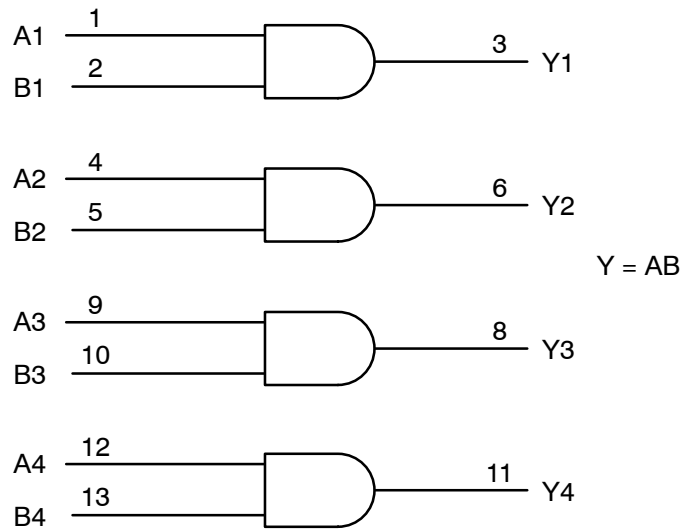
Parameter	Symbol	Test Conditions	V_{CC} (V)	Guaranteed Limits			Unit
				-55 to +25°C	≤ 85°C	≤ 125°C	
Maximum Output Transition Time, Any Output	t_{TLH} , t_{THL}		2.0	75	95	110	ns
			3.0	27	32	36	ns
			4.5	15	19	22	ns
			6.0	13	16	19	ns
Maximum Input Capacitance	C_{in}		-	10	10	10	pF
Parameter	Symbol	Test Conditions	Typical @ +25°C, $V_{CC} = 5\text{V}$, $V_{EE} = 0\text{V}$			Unit	
Power Dissipation Capacitance (Per Buffer)	C_{PD}	Note 4	20			pF	

Note 4. C_{PD} determines the no load dynamic power consumption, $P_D = C_{PD} V_{CC}^2 f + I_{CC} V_{CC}$.

Truth Table:

Inputs		Output
A	B	Y
L	L	L
L	H	L
H	L	L
H	H	H

Logic Diagram



Pin14 = V_{CC}
Pin7 = GND

Pin Connection Diagram

