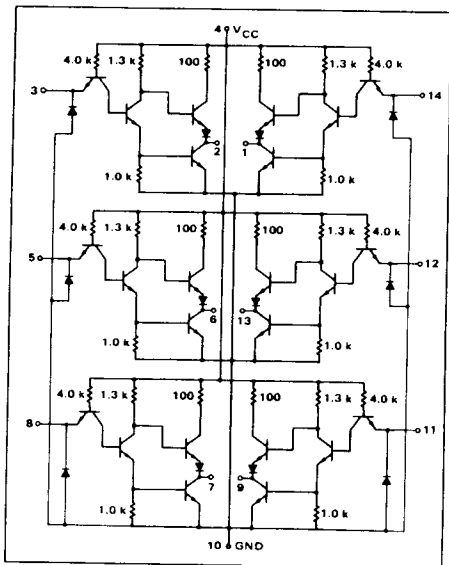


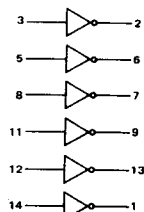
HEX INVERTER

MTTL I MC500/400 series

MC525 · MC575
MC425 · MC475



The Hex Inverter offers six independent inverting gates in a single package. Each gate consists of a single input driving an output inverter.



Positive Logic: 2 = $\bar{3}$

Total Power Dissipation = 90 mW typ/pkg
Propagation Delay Time = 10 ns typ

| TYPE NO. | INPUT LOADING FACTOR (I_{IF}) | OUTPUT DRIVE (I_{OL}) | TEMPERATURE RANGE |
|----------------|-----------------------------------|---|-------------------|
| MC525 MC575 | 1 (-1.33 mA) | 15 7 MC500 series Gates (20 mA) MC500 series Gates (10 mA) | -55°C to +125°C |
| MC425 MC475 | 1 (-1.66 mA) | 12 6 MC400 series Gates (20 mA) MC400 series Gates (10 mA) | 0°C to +75°C |

SWITCHING TIME TEST CIRCUIT

VOLTAGE WAVEFORMS AND DEFINITIONS

