

DM74LS51

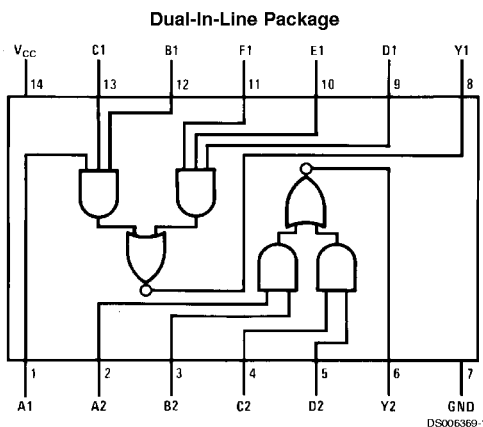
Dual 2-Wide 2-Input, 2-Wide 3-Input AND-OR-INVERT Gates

General Description

This device contains two independent combinations of gates each of which performs the logic AND-OR-INVERT function.

Each package contains one 2-wide 2-input and one 2-wide 3-input AND-OR-INVERT gates.

Connection Diagram



Order Number 54LS51DMQB, 54LS51FMQB,
54LS51LMQB, DM74LS51M or DM74LS51N
See Package Number E20A, J14A, M14A, N14A or W14B

Function Table

$$Y1 = \overline{(A1)(B1)(C1) + (D1)(E1)(F1)}$$

Inputs						Output
A1	B1	C1	D1	E1	F1	Y1
H	H	H	X	X	X	L
X	X	X	H	H	H	L
Other Combinations						H

$$Y2 = \overline{((A2)(B2) + (C2)(D2))}$$

Inputs				Output
A2	B2	C2	D2	Y2
H	H	X	X	L
X	X	H	H	L
Other combinations				H

H = High Logic Level
L = Low Logic Level
X = Either Low or High Logic Level

DM74LS51 Dual 2-Wide 2-Input, 2-Wide 3-Input AND-OR-INVERT Gates

Absolute Maximum Ratings (Note 1)

Supply Voltage	7V	54LS	-55°C to +125°C
Input Voltage	7V	DM74LS	0°C to +70°C
Operating Free Air Temperature Range		Storage Temperature Range	-65°C to +150°C

Recommended Operating Conditions

Symbol	Parameter	54LS51			DM74LS51			Units
		Min	Nom	Max	Min	Nom	Max	
V _{CC}	Supply Voltage	4.5	5	5.5	4.75	5	5.25	V
V _{IH}	High Level Input Voltage	2			2			V
V _{IL}	Low Level Input Voltage			0.7			0.8	V
I _{OH}	High Level Output Current			-0.4			-0.4	mA
I _{OL}	Low Level Output Current			4			8	mA
T _A	Free Air Operating Temperature	-55		125	0		70	°C

Note 1: The "Absolute Maximum Ratings" are those values beyond which the safety of the device cannot be guaranteed. The device should not be operated at these limits. The parametric values defined in the "Electrical Characteristics" table are not guaranteed at the absolute maximum ratings. The "Recommended Operating Conditions" table will define the conditions for actual device operation.

Electrical Characteristics

over recommended operating free air temperature range (unless otherwise noted)

Symbol	Parameter	Conditions	Min	Typ (Note 2)	Max	Units
V _I	Input Clamp Voltage	V _{CC} = Min, I _I = -18 mA			-1.5	V
V _{OH}	High Level Output Voltage	V _{CC} = Min, I _{OH} = Max, V _{IL} = Max	54LS 2.5 DM74 2.7	3.4		V
V _{OL}	Low Level Output Voltage	V _{CC} = Min, I _{OL} = Max, V _{IH} = Min I _{OL} = 4 mA, V _{CC} = Min	54LS DM74	0.35 0.25	0.4 0.5 0.4	V
I _I	Input Current @ Max Input Voltage	V _{CC} = Max, V _I = 10V (54LS)			0.1	mA
I _{IH}	High Level Input Current	V _{CC} = Max, V _I = 2.7V			20	µA
I _{IL}	Low Level Input Current	V _{CC} = Max, V _I = 0.4V	54LS DM74		-0.40 -0.36	mA
I _{OS}	Short Circuit Output Current	V _{CC} = Max (Note 2)	54LS DM74	-20 -20	-100 -100	mA
I _{CCH}	Supply Current with Outputs High	V _{CC} = Max		0.8	1.6	mA
I _{CCL}	Supply Current with Outputs Low	V _{CC} = Max		1.4	2.8	mA

Note 2: All typicals are at V_{CC} = 5V, T_A = 25°C.

Note 3: Not more than one output should be shorted at a time, and the duration should not exceed one second.

Switching Characteristics

at V_{CC} = 5V and T_A = 25°C

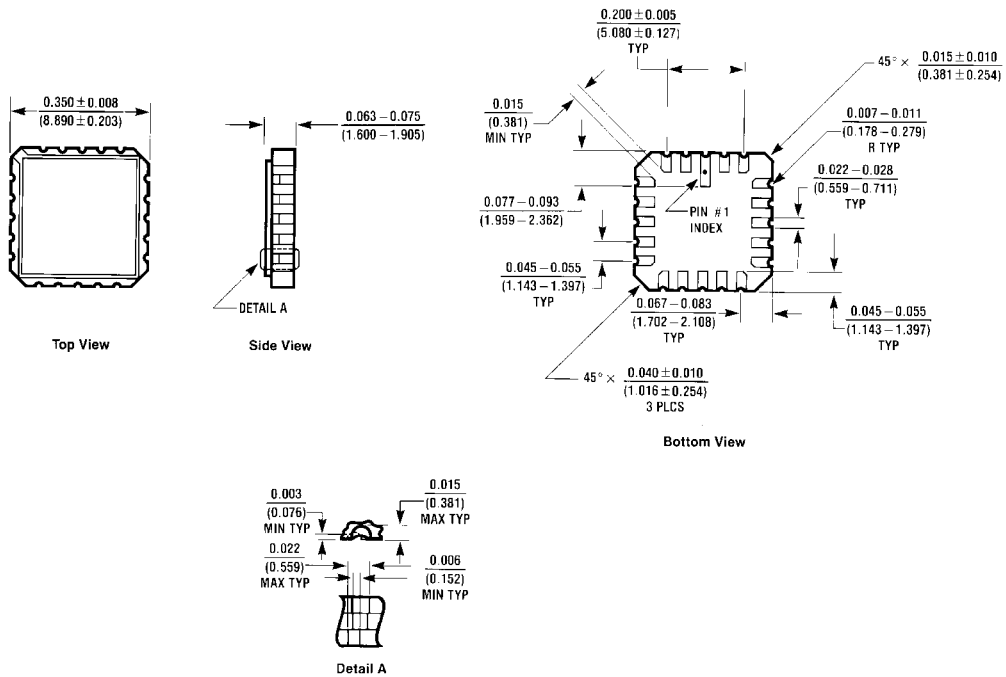
Symbol	Parameter	54LS51		DM74LS51		Units
		C _L = 15 pF, R _L = 2 kΩ		C _L = 50 pF, R _L = 2 kΩ		
		Min	Max	Min	Max	
t _{PLH}	Propagation Delay Time Low to High Level Output		20	4	18	ns

Switching Characteristics (Continued)

at $V_{CC} = 5V$ and $T_A = 25^\circ C$

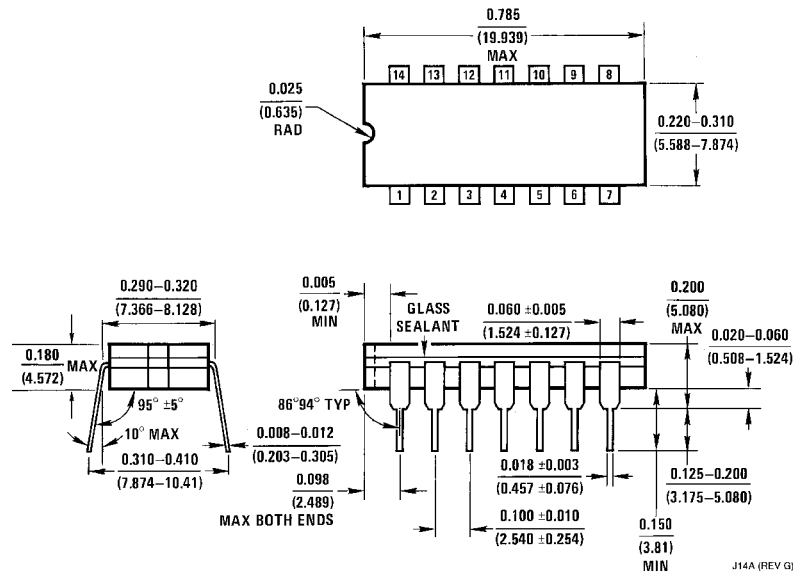
Symbol	Parameter	54LS51		DM74LS51		Units
		$C_L = 15 \text{ pF}$, $R_L = 2 \text{ k}\Omega$		$C_L = 50 \text{ pF}$, $R_L = 2 \text{ k}\Omega$		
		Min	Max	Min	Max	
t_{PHL}	Propagation Delay Time High to Low Level Output		20	3	15	ns

Physical Dimensions inches (millimeters) unless otherwise noted



E20A (REV. D)

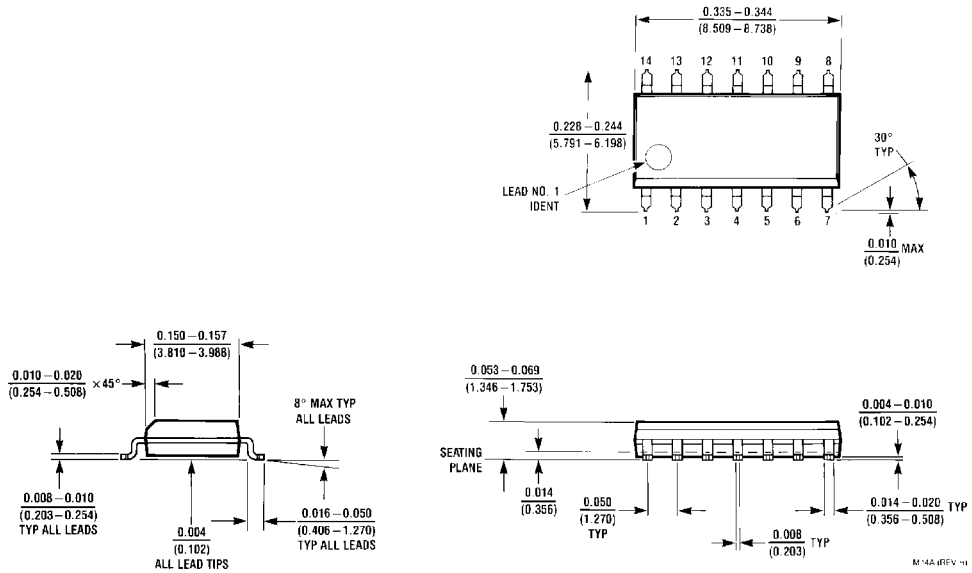
Ceramic Leadless Chip Carrier Package (E)
Order Number 54LS51LMQB
Package Number E20A



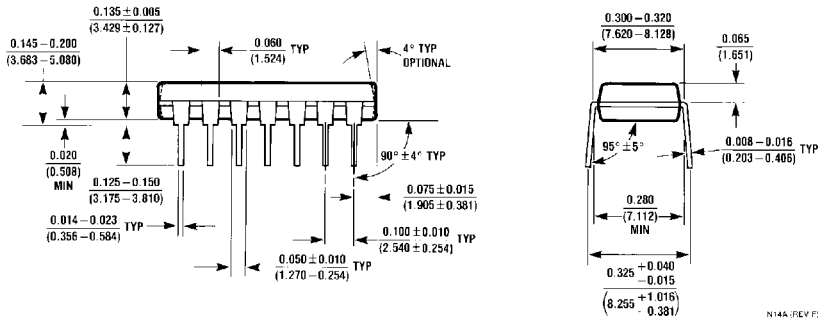
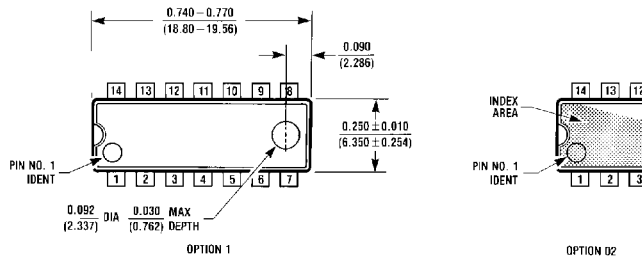
J14A (REV. G)

Ceramic Dual-In-Line Package (J)
Order Number 54LS51DMQB
Package Number J14A

Physical Dimensions inches (millimeters) unless otherwise noted (Continued)



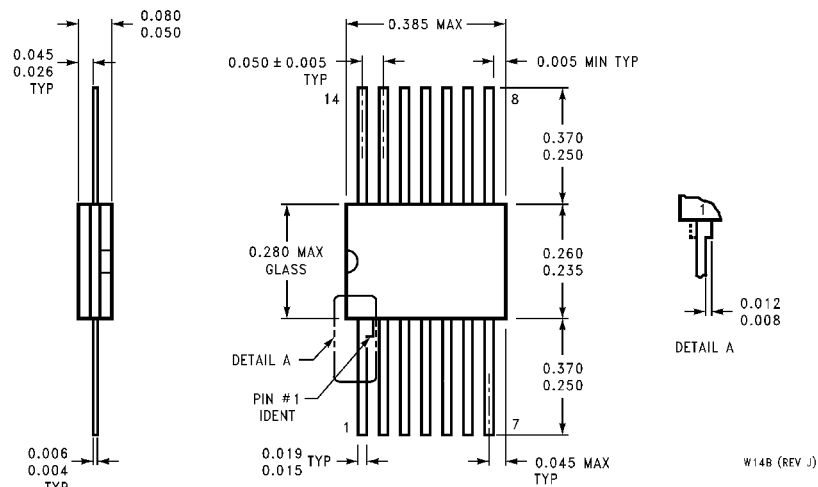
14-Lead Small Outline Molded Package (M)
Order Number DM74LS51M
Package Number M14A



14-Lead Molded Dual-In-Line Package (N)
Order Number DM74LS51N
Package Number N14A

DM74LS51 Dual 2-Wide 2-Input, 2-Wide 3-Input AND-OR-INVERT Gates

Physical Dimensions inches (millimeters) unless otherwise noted (Continued)



14-Lead Ceramic Flat Package (W)
Order Number 54LS51FMQB
Package Number W14B

W14B (REV J)

LIFE SUPPORT POLICY

FAIRCHILD'S PRODUCTS ARE NOT AUTHORIZED FOR USE AS CRITICAL COMPONENTS IN LIFE SUPPORT DEVICES OR SYSTEMS WITHOUT THE EXPRESS WRITTEN APPROVAL OF THE PRESIDENT OF FAIRCHILD SEMICONDUCTOR CORPORATION. As used herein:

1. Life support devices or systems are devices or systems which, (a) are intended for surgical implant into the body, or (b) support or sustain life, and (c) whose failure to perform when properly used in accordance with instructions for use provided in the labeling, can be reasonably expected to result in a significant injury to the user.
2. A critical component in any component of a life support device or system whose failure to perform can be reasonably expected to cause the failure of the life support device or system, or to affect its safety or effectiveness.

Fairchild Semiconductor Corporation Americas
 Customer Response Center
 Tel: 1-888-522-5372

Fairchild Semiconductor Europe
 Fax: +49 (0) 1 80-530 85 86
 Email: europe.support@nsc.com
 Deutsch Tel: +49 (0) 8 141-35-0
 English Tel: +44 (0) 1 793-85-68-56
 Italy Tel: +39 (0) 2 57 5631

Fairchild Semiconductor Hong Kong Ltd.
 13th Floor, Straight Block,
 Ocean Centre, 5 Canton Rd.
 Tsimshatsui, Kowloon
 Hong Kong
 Tel: +852 2737-7200
 Fax: +852 2314-0061

National Semiconductor Japan Ltd.
 Tel: 81-3-5620-6175
 Fax: 81-3-5620-6179

www.fairchildsemi.com