



T-43-15-00

LS27

## 54LS27/DM54LS27/DM74LS27 Triple 3-Input NOR Gates

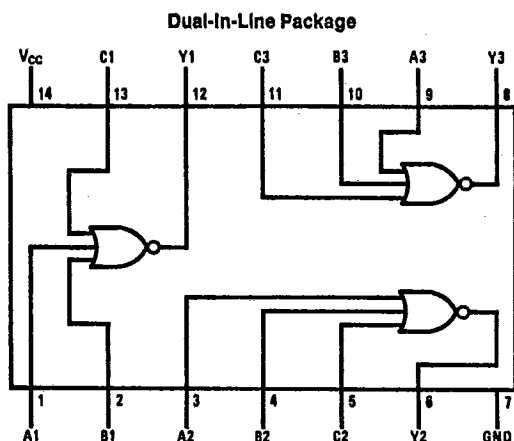
### General Description

This device contains three independent gates each of which performs the logic NOR function.

### Features

- Alternate Military/Aerospace device (54LS27) is available. Contact a National Semiconductor Sales Office/Distributor for specifications.

### Connection Diagram



TL/F/6359-1

Order Number 54LS27DMQB, 54LS27FMQB, 54LS27LMQB,  
DM54LS27J, DM54LS27W, DM74LS27M or DM74LS27N  
See NS Package Number E20A, J14A, M14A, N14A or W14B

### Function Table

$$Y = \overline{A + B}$$

Inputs		Output
A	B	Y
L	L	H
L	H	L
H	L	L
H	H	L

H = High Logic Level  
L = Low Logic Level

23