



5432/DM5432/DM7432 Quad 2-Input OR Gates

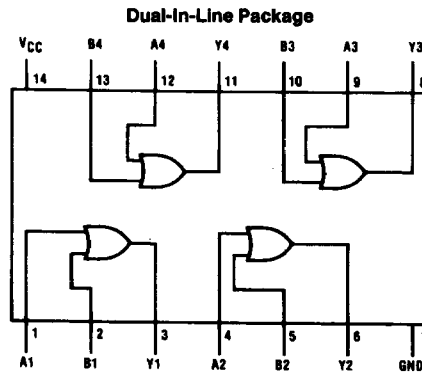
General Description

This device contains four independent gates each of which performs the logic OR function.

Features

- Alternate Military/Aerospace device (5432) is available. Contact a National Semiconductor Sales Office/Distributor for specifications.

Connection Diagram



TL/F/6511-1

Order Number 5432DMQB, 5432FMQB, DM5432J, DM5432W or DM7432N
See NS Package Number J14A, N14A or W14B

Function Table

$$Y = A + B$$

| Inputs | | Output |
|--------|---|--------|
| A | B | Y |
| L | L | L |
| L | H | H |
| H | L | H |
| H | H | H |

H = High Logic Level

L = Low Logic Level

Absolute Maximum Ratings (Note)

If Military/Aerospace specified devices are required, please contact the National Semiconductor Sales Office/Distributors for availability and specifications.

| | |
|--------------------------------------|-----------------|
| Supply Voltage | 7V |
| Input Voltage | 5.5V |
| Operating Free Air Temperature Range | |
| DM54 and 54 | -55°C to +125°C |
| DM74 | 0°C to +70°C |
| Storage Temperature Range | -65°C to +150°C |

Note: The "Absolute Maximum Ratings" are those values beyond which the safety of the device cannot be guaranteed. The device should not be operated at these limits. The parametric values defined in the "Electrical Characteristics" table are not guaranteed at the absolute maximum ratings. The "Recommended Operating Conditions" table will define the conditions for actual device operation.

Recommended Operating Conditions

| Symbol | Parameter | DM5432 | | | DM7432 | | | Units |
|-----------------|--------------------------------|--------|-----|------|--------|-----|------|-------|
| | | Min | Nom | Max | Min | Nom | Max | |
| V _{CC} | Supply Voltage | 4.5 | 5 | 5.5 | 4.75 | 5 | 5.25 | V |
| V _{IH} | High Level Input Voltage | 2 | | | 2 | | | V |
| V _{IL} | Low Level Input Voltage | | | 0.8 | | | 0.8 | V |
| I _{OH} | High Level Output Current | | | -0.8 | | | -0.8 | mA |
| I _{OL} | Low Level Output Current | | | 16 | | | 16 | mA |
| T _A | Free Air Operating Temperature | -55 | | 125 | 0 | | 70 | °C |

Electrical Characteristics

over recommended operating free air temperature range (unless otherwise noted)

| Symbol | Parameter | Conditions | Min | Typ (Note 1) | Max | Units |
|------------------|-----------------------------------|---|-------------|--------------|------|-------|
| V _I | Input Clamp Voltage | V _{CC} = Min, I _I = -12 mA | | | -1.5 | V |
| V _{OH} | High Level Output Voltage | V _{CC} = Min, I _{OH} = Max V _{IH} = Min | 2.4 | 3.4 | | V |
| V _{OL} | Low Level Output Voltage | V _{CC} = Min, I _{OL} = Max V _{IL} = Max | | 0.2 | 0.4 | V |
| I _I | Input Current @ Max Input Voltage | V _{CC} = Max, V _I = 5.5V | | | 1 | mA |
| I _{IH} | High Level Input Current | V _{CC} = Max, V _I = 2.4V | | | 40 | μA |
| I _{IL} | Low Level Input Current | V _{CC} = Max, V _I = 0.4V | | | -1.6 | mA |
| I _{OS} | Short Circuit Output Current | V _{CC} = Max (Note 2) | DM54 -20 | | -55 | mA |
| | | | DM74 -18 | | -55 | |
| I _{CCH} | Supply Current with Outputs High | V _{CC} = Max | | 15 | 22 | mA |
| I _{CCL} | Supply Current with Outputs Low | V _{CC} = Max | | 23 | 38 | mA |

Switching Characteristics at V_{CC} = 5V and T_A = 25°C (See Section 1 for Test Waveforms and Output Load)

| Symbol | Parameter | Conditions | Min | Max | Units |
|------------------|--|---|-----|-----|-------|
| t _{PLH} | Propagation Delay Time Low to High Level Output | C _L = 15 pF R _L = 400Ω | | 15 | ns |
| t _{PHL} | Propagation Delay Time High to Low Level Output | | | 22 | ns |

Note 1: All typicals are at V_{CC} = 5V, T_A = 25°C.

Note 2: Not more than one output should be shorted at a time.