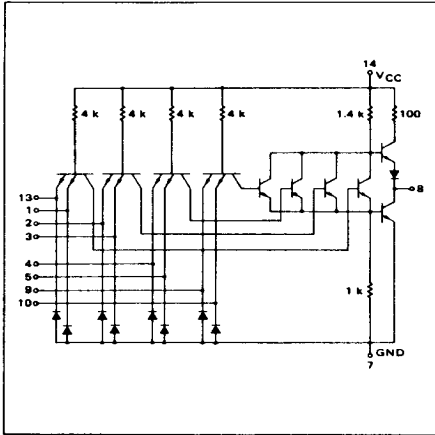


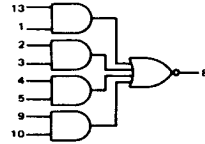
MTTL MC7400P series  
MTTL MC5400L/7400L series

4-WIDE 2-INPUT  
"AND-OR-INVERT" GATE

**MC5454L\***  
**MC7454P,L\***



This device consists of four 2-input AND gates ORed together and inverted.



Positive Logic:

$$B = (1 \cdot 3 + 1) \cdot (2 + 3) + (4 + 5) + (9 + 10)$$

Negative Logic:

$$B = (1 \cdot 3 + 1) \cdot (2 + 3) + (4 + 5) + (9 + 10)$$

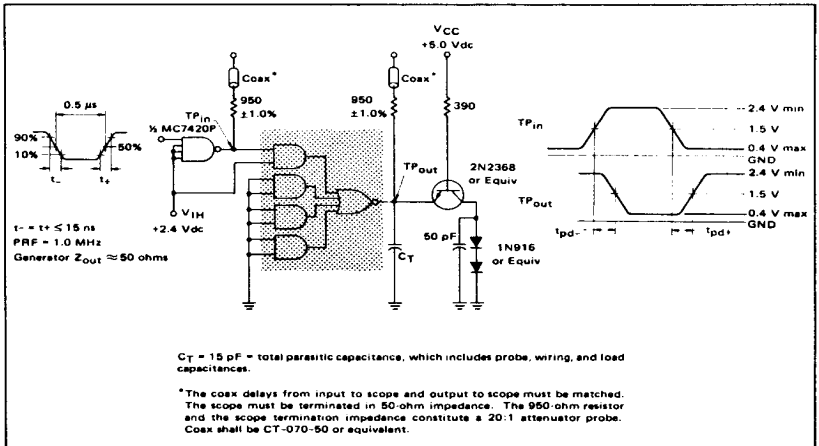
Input Loading Factor = 1  
Output Loading Factor = 10

Total Power Dissipation = 22 mW typ/pkg  
Propagation Delay Time = 13 ns typ

\*L suffix = TO-116 ceramic package (Case 632)  
P suffix = TO-116 plastic package (Case 606)  
See General Information section for package outline dimensions.

**SWITCHING TIME TEST CIRCUIT**

**VOLTAGE WAVEFORMS AND DEFINITIONS**



391

