

74LV14A

Hex inverting Schmitt trigger

Rev. 4 — 29 April 2021

Product data sheet

1. General description

The 74LV14A is a hex inverter with Schmitt-trigger inputs, capable of transforming slowly changing input signals into sharply defined, jitter-free output signals.

Inputs are overvoltage tolerant. This feature allows the use of these devices as translators in mixed voltage environments.

This device is fully specified for partial power down applications using I_{OFF} . The I_{OFF} circuitry disables the output, preventing the potentially damaging backflow current through the device when it is powered down.

2. Features and benefits

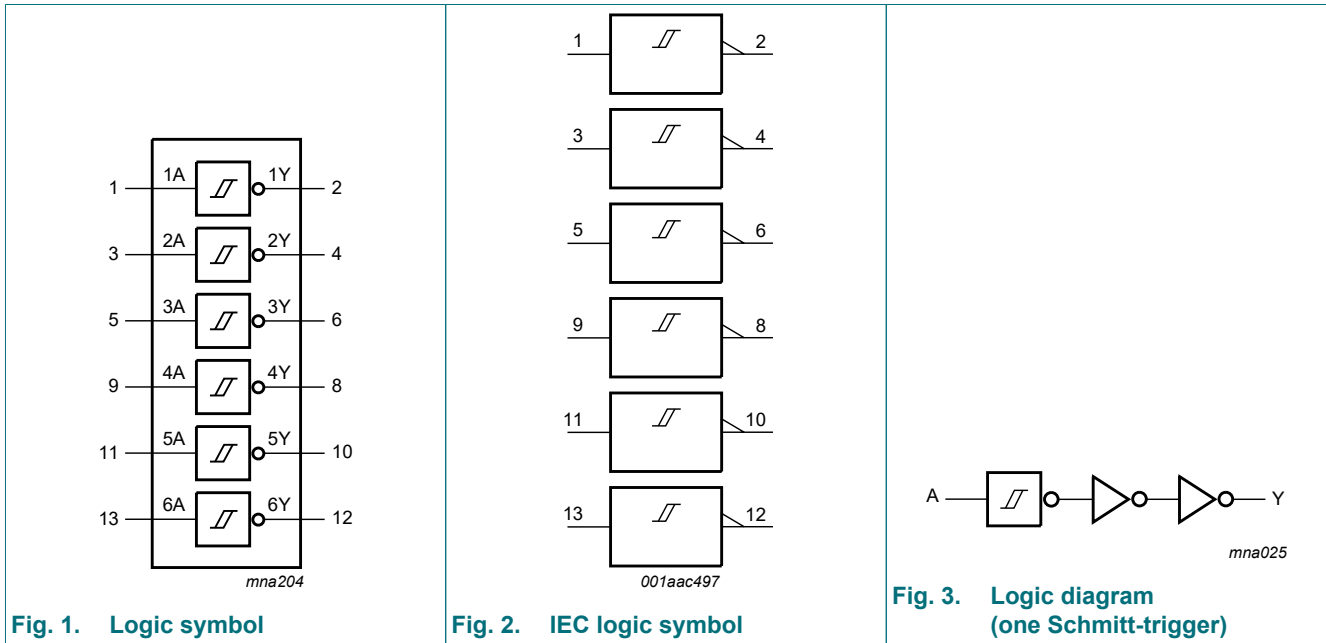
- Wide supply voltage range from 2.0 V to 5.5 V
- Maximum t_{pd} of 10 ns at 5 V
- Typical $V_{OL(p)} < 0.8$ V at $V_{CC} = 3.3$ V, $T_{amb} = 25$ °C
- Typical $V_{OH(v)} > 2.3$ V at $V_{CC} = 3.3$ V, $T_{amb} = 25$ °C
- Supports mixed-mode voltage operation on all ports
- I_{OFF} circuitry provides partial Power-down mode operation
- Latch-up performance exceeds 250 mA per JESD 78 Class II
- ESD protection:
 - HBM ANSI/ESDA/JEDEC JS-001 Class 2 exceeds 3 kV
 - MM JESD22-A115-A exceeds 200 V
 - CDM JESD22-C101E exceeds 2 kV
- Specified from -40 °C to +85 °C and from -40 °C to +125 °C

3. Ordering information

Table 1. Ordering information

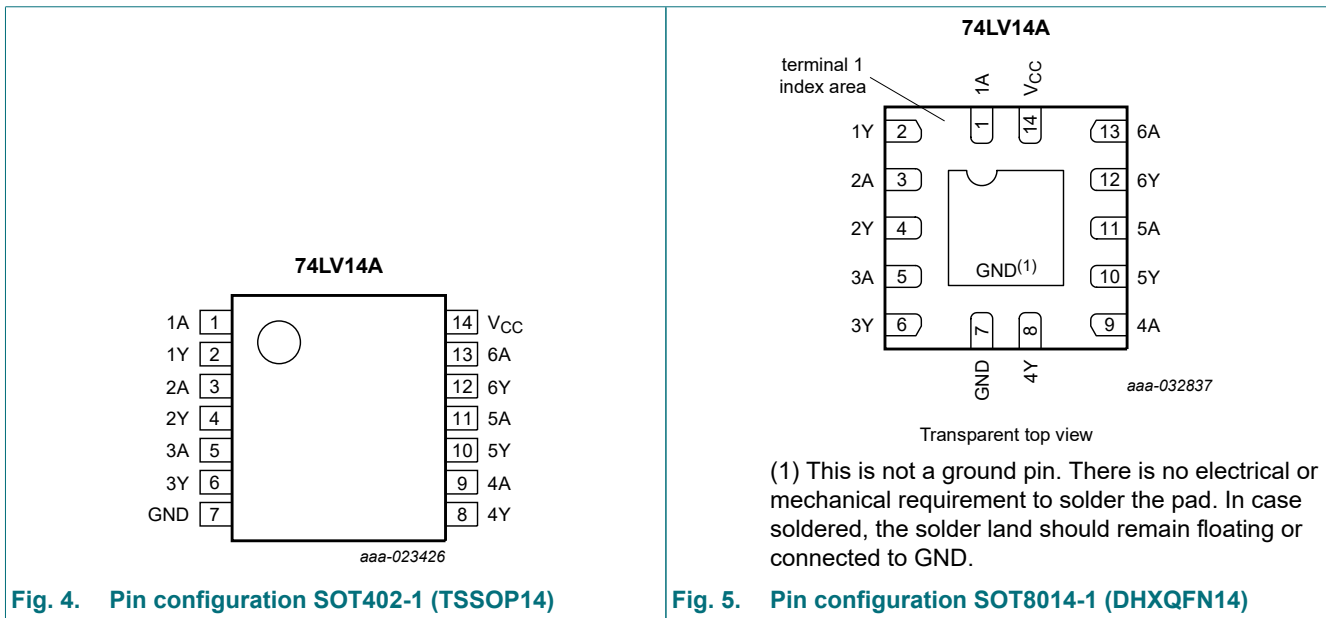
Type number	Package			
	Temperature range	Name	Description	Version
74LV14APW	-40 °C to +125 °C	TSSOP14	plastic thin shrink small outline package; 14 leads; body width 4.4 mm	SOT402-1
74LV14ABZ	-40 °C to +125 °C	DHXQFN14	plastic, leadless dual in-line compatible thermal enhanced extreme thin quad flat package; no leads; 14 terminals; 0.4 mm pitch; body 2 mm × 2 mm × 0.48 mm	SOT8014-1

4. Functional diagram



5. Pinning information

5.1. Pinning



5.2. Pin description

Table 2. Pin description

Symbol	Pin	Description
1A, 2A, 3A, 4A, 5A, 6A	1, 3, 5, 9, 11, 13	data input
1Y, 2Y, 3Y, 4Y, 5Y, 6Y	2, 4, 6, 8, 10, 12	data output
GND	7	ground (0 V)
V _{CC}	14	supply voltage

6. Functional description

Table 3. Function table

H = HIGH voltage level; L = LOW voltage level.

Input	Output
nA	nY
L	H
H	L

7. Limiting values

Table 4. Limiting values

In accordance with the Absolute Maximum Rating System (IEC 60134). Voltages are referenced to GND (ground = 0 V).

Symbol	Parameter	Conditions	Min	Max	Unit
V _{CC}	supply voltage		-0.5	+7.0	V
V _I	input voltage	[1]	-0.5	+7.0	V
V _O	output voltage	output HIGH or LOW state [2] [3]	-0.5	V _{CC} + 0.5	V
		output power-down [2]	-0.5	+7.0	V
I _{IK}	input clamping current	V _I < 0 V	-20	-	mA
I _{OK}	output clamping current	V _O < 0 V	-50	-	mA
I _O	output current	V _O = 0 V to V _{CC}	-	±35	mA
I _{CC}	supply current		-	70	mA
I _{GND}	ground current		-70	-	mA
T _{stg}	storage temperature		-65	+150	°C
P _{tot}	total power dissipation	T _{amb} = -40 °C to +125 °C			
		SOT402-1 [4]	-	500	mW
		SOT8014-1 [5]	-	250	mW

[1] If the input current ratings are observed, the minimum input voltage ratings may be exceeded.

[2] If the output current ratings are observed, the output voltage ratings may be exceeded.

[3] This value is limited to 7 V maximum.

[4] For SOT402-1 (TSSOP14) package: P_{tot} derates linearly with 7.3 mW/K above 81 °C.

[5] For SOT8014-1 (DHXQFN14) package: P_{tot} derates linearly with 8.7 mW/K above 121 °C.

8. Recommended operating conditions

Table 5. Recommended operating conditions

Voltages are referenced to GND (ground = 0 V).

Symbol	Parameter	Conditions	Min	Typ	Max	Unit
V_{CC}	supply voltage		2.0	5.0	5.5	V
V_I	input voltage		0	-	5.5	V
V_O	output voltage	output HIGH or LOW state	0	-	V_{CC}	V
		output power-down	0	-	5.5	V
T_{amb}	ambient temperature		-40	+25	+125	°C
$\Delta t/\Delta V$	input transition rise and fall rate	$V_{CC} = 2.3 \text{ V to } 2.7 \text{ V}$	-	-	50	ms/V
		$V_{CC} = 3.0 \text{ V to } 3.6 \text{ V}$	-	-	20	ms/V
		$V_{CC} = 4.5 \text{ V to } 5.5 \text{ V}$	-	-	1	ms/V

9. Static characteristics

Table 6. Static characteristics

Voltages are referenced to GND (ground = 0 V).

Symbol	Parameter	Conditions	25 °C			-40 °C to +85 °C		-40 °C to +125 °C		Unit
			Min	Typ	Max	Min	Max	Min	Max	
V_{T+}	positive-going threshold voltage	$V_{CC} = 2.5 \text{ V}$	-	-	1.75	-	1.75	-	1.75	V
		$V_{CC} = 3.3 \text{ V}$	-	-	2.31	-	2.31	-	2.31	V
		$V_{CC} = 5.0 \text{ V}$	-	-	3.5	-	3.5	-	3.5	V
V_{T-}	negative-going threshold voltage	$V_{CC} = 2.5 \text{ V}$	0.75	-	-	0.75	-	0.75	-	V
		$V_{CC} = 3.3 \text{ V}$	0.99	-	-	0.99	-	0.99	-	V
		$V_{CC} = 5.0 \text{ V}$	1.5	-	-	1.5	-	1.5	-	V
V_H	hysteresis voltage	$V_{CC} = 2.5 \text{ V}$	0.25	-	-	0.25	-	0.25	-	V
		$V_{CC} = 3.3 \text{ V}$	0.33	-	-	0.33	-	0.33	-	V
		$V_{CC} = 5.0 \text{ V}$	0.5	-	-	0.5	-	0.5	-	V
V_{OH}	HIGH-level output voltage	$V_I = V_{IH}$ or V_{IL}								
		$V_{CC} = 2.0 \text{ V to } 5.5 \text{ V}; I_O = -50 \mu\text{A}$	$V_{CC}-0.1$	-	-	$V_{CC}-0.1$	-	$V_{CC}-0.1$	-	V
		$V_{CC} = 2.3 \text{ V}; I_O = -2 \text{ mA}$	2	-	-	2	-	2	-	V
		$V_{CC} = 3.0 \text{ V}; I_O = -6 \text{ mA}$	2.48	-	-	2.48	-	2.48	-	V
	$V_{CC} = 4.5 \text{ V}; I_O = -12 \text{ mA}$	3.8	-	-	3.8	-	3.8	-	V	
V_{OL}	LOW-level output voltage	$V_I = V_{IH}$ or V_{IL}								
		$V_{CC} = 2.0 \text{ V to } 5.5 \text{ V}; I_O = 50 \mu\text{A}$	-	-	0.1	-	0.1	-	0.1	V
		$V_{CC} = 2.3 \text{ V}; I_O = 2 \text{ mA}$	-	-	0.4	-	0.4	-	0.4	V
		$V_{CC} = 3.0 \text{ V}; I_O = 6 \text{ mA}$	-	-	0.44	-	0.44	-	0.44	V
	$V_{CC} = 4.5 \text{ V}; I_O = 12 \text{ mA}$	-	-	0.55	-	0.55	-	0.55	V	

Symbol	Parameter	Conditions	25 °C			-40 °C to +85 °C		-40 °C to +125 °C		Unit
			Min	Typ	Max	Min	Max	Min	Max	
I_{OFF}	power-off leakage current	V_I or $V_O = \text{GND to } 5.5 \text{ V}; V_{CC} = 0 \text{ V}$	-	-	0.5	-	5	-	5	μA
I_I	input leakage current	$V_I = V_{CC}$ or $\text{GND}; V_{CC} = 0 \text{ V to } 5.5 \text{ V}$	-	-	± 0.1	-	± 1	-	± 1	μA
I_{CC}	supply current	$V_I = V_{CC}$ or $\text{GND}; I_O = 0 \text{ A}; V_{CC} = 5.5 \text{ V}$	-	-	2	-	20	-	20	μA

9.1. Transfer characteristics waveforms

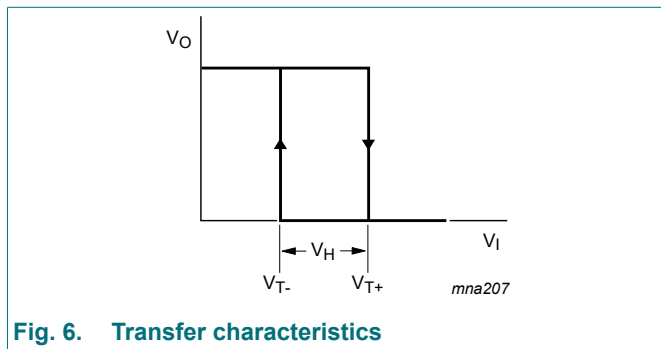


Fig. 6. Transfer characteristics

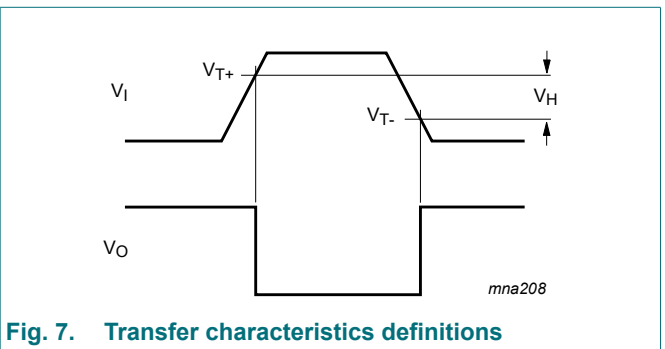
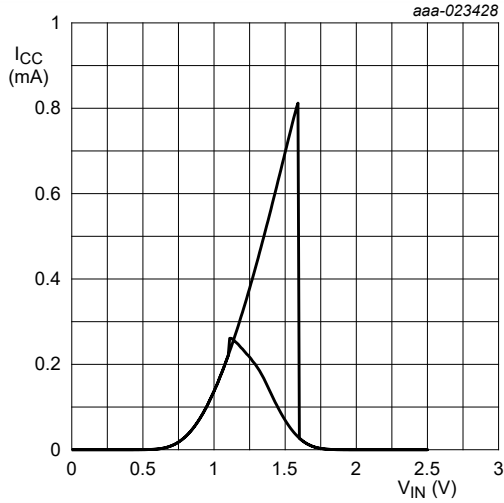
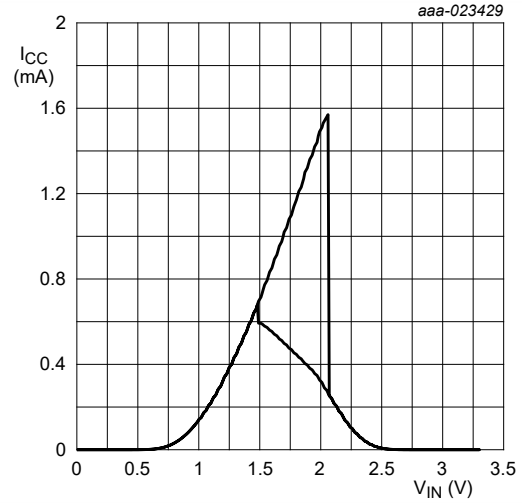


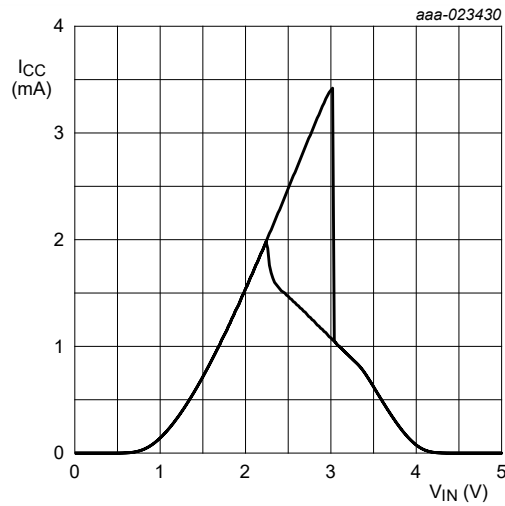
Fig. 7. Transfer characteristics definitions



a. $V_{CC} = 2.5\text{ V}$



b. $V_{CC} = 3.3\text{ V}$



c. $V_{CC} = 5.0\text{ V}$

Fig. 8. Typical transfer characteristics

10. Dynamic characteristics

Table 7. Dynamic characteristics

$GND = 0\text{ V}$. For test circuit, see Fig. 10.

Symbol	Parameter	Conditions	25 °C			-40 °C to +85 °C		-40 °C to +125 °C		Unit
			Min	Typ[1]	Max	Min	Max	Min	Max	
t_{pd}	propagation delay	nA to nY; see Fig. 9 [2]								
		$V_{CC} = 2.3\text{ V to }2.7\text{ V}$								
		$C_L = 15\text{ pF}$	-	5.6	19.7	1	22	1	23	ns
		$C_L = 50\text{ pF}$	-	8.7	24	1	27	1	28	ns
		$V_{CC} = 3.0\text{ V to }3.6\text{ V}$								
		$C_L = 15\text{ pF}$	-	4.4	12.8	1	15	1	16	ns
		$C_L = 50\text{ pF}$	-	6.7	16.3	1	18.5	1	19.5	ns
		$V_{CC} = 4.5\text{ V to }5.5\text{ V}$								
		$C_L = 15\text{ pF}$	-	3.4	8.6	1	10	1	11	ns
		$C_L = 50\text{ pF}$	-	5.2	10.6	1	12	1	13	ns
C_I	input capacitance	$V_I = V_{CC}$ or GND; $V_{CC} = 3.3\text{ V}$	-	2	6	-	6	-	6	pF
C_O	output capacitance	$V_O = V_{CC}$ or GND; $V_{CC} = 3.3\text{ V}$	-	5	-	-	-	-	-	pF
C_{PD}	power dissipation capacitance	per buffer; $C_L = 50\text{ pF}$; $f = 10\text{ MHz}$; $V_I = GND$ to V_{CC} [3]								
		$V_{CC} = 3.3\text{ V}$	-	8	-	-	-	-	-	pF
		$V_{CC} = 5.0\text{ V}$	-	9	-	-	-	-	-	pF

[1] Typical values are measured at $T_{amb} = 25\text{ °C}$ and $V_{CC} = 2.5\text{ V}$, 3.3 V , and 5 V respectively, unless otherwise specified.

[2] t_{pd} is the same as t_{PLH} and t_{PHL} .

[3] C_{PD} is used to determine the dynamic power dissipation P_D (μW).

$$P_D = C_{PD} \times V_{CC}^2 \times f_i + \sum (C_L \times V_{CC}^2 \times f_o) \text{ where:}$$

f_i = input frequency in MHz;

f_o = output frequency in MHz;

C_L = output load capacitance in pF;

V_{CC} = supply voltage in Volts.

Table 8. Noise characteristics

$GND = 0\text{ V}$. For test circuit, see Fig. 10.

Symbol	Parameter	Conditions	$T_{amb} = 25\text{ °C}$			Unit
			Min	Typ	Max	
$V_{CC} = 3.3\text{ V}$; $C_L = 50\text{ pF}$						
$V_{OL(p)}$	LOW-level output voltage (peak)		-	0.2	0.8	V
$V_{OL(v)}$	LOW-level output voltage (valley)		-0.8	-0.1	-	V
$V_{OH(v)}$	HIGH-level output voltage (valley)		-	3.1	-	V
$V_{IH(AC)}$	AC HIGH-level input voltage		2.31	-	-	V
$V_{IL(AC)}$	AC LOW-level input voltage		-	-	0.99	V

10.1. Waveforms and test circuit

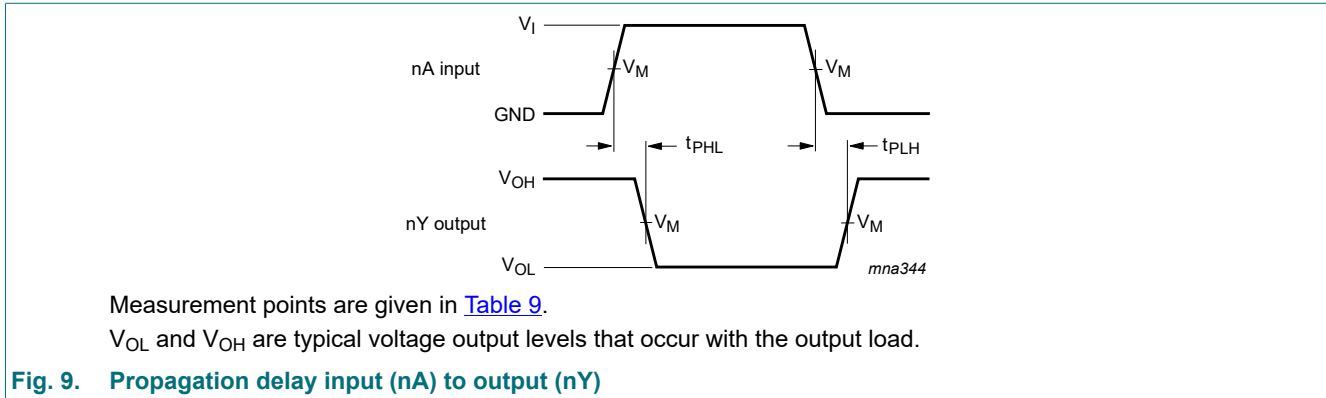


Table 9. Measurement points

Input	Output
V_M	V_M
$0.5V_{CC}$	$0.5V_{CC}$

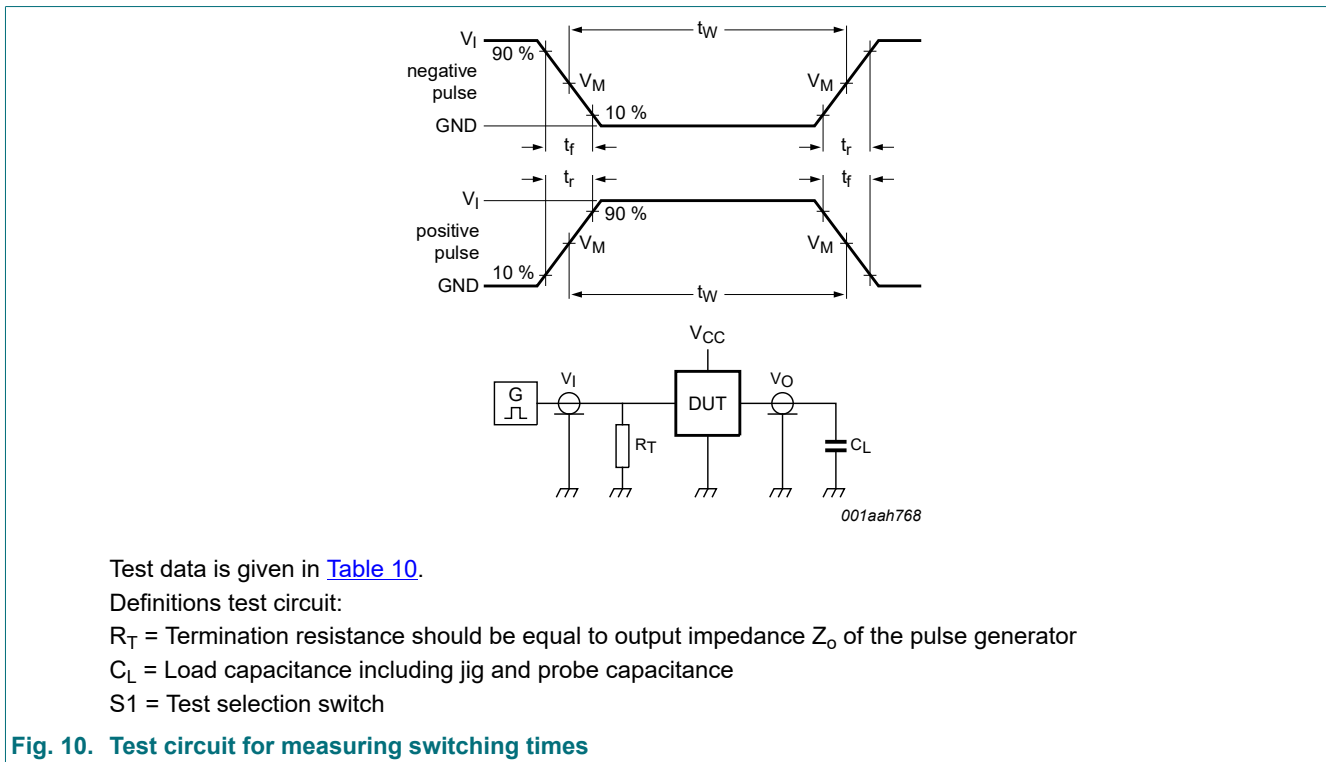


Table 10. Test data

Input		Load	Test
V_I	t_r, t_f	C_L	
GND to V_{CC}	3.0 ns	15 pF, 50 pF	t_{PLH}, t_{PHL}

11. Package outline

TSSOP14: plastic thin shrink small outline package; 14 leads; body width 4.4 mm

SOT402-1

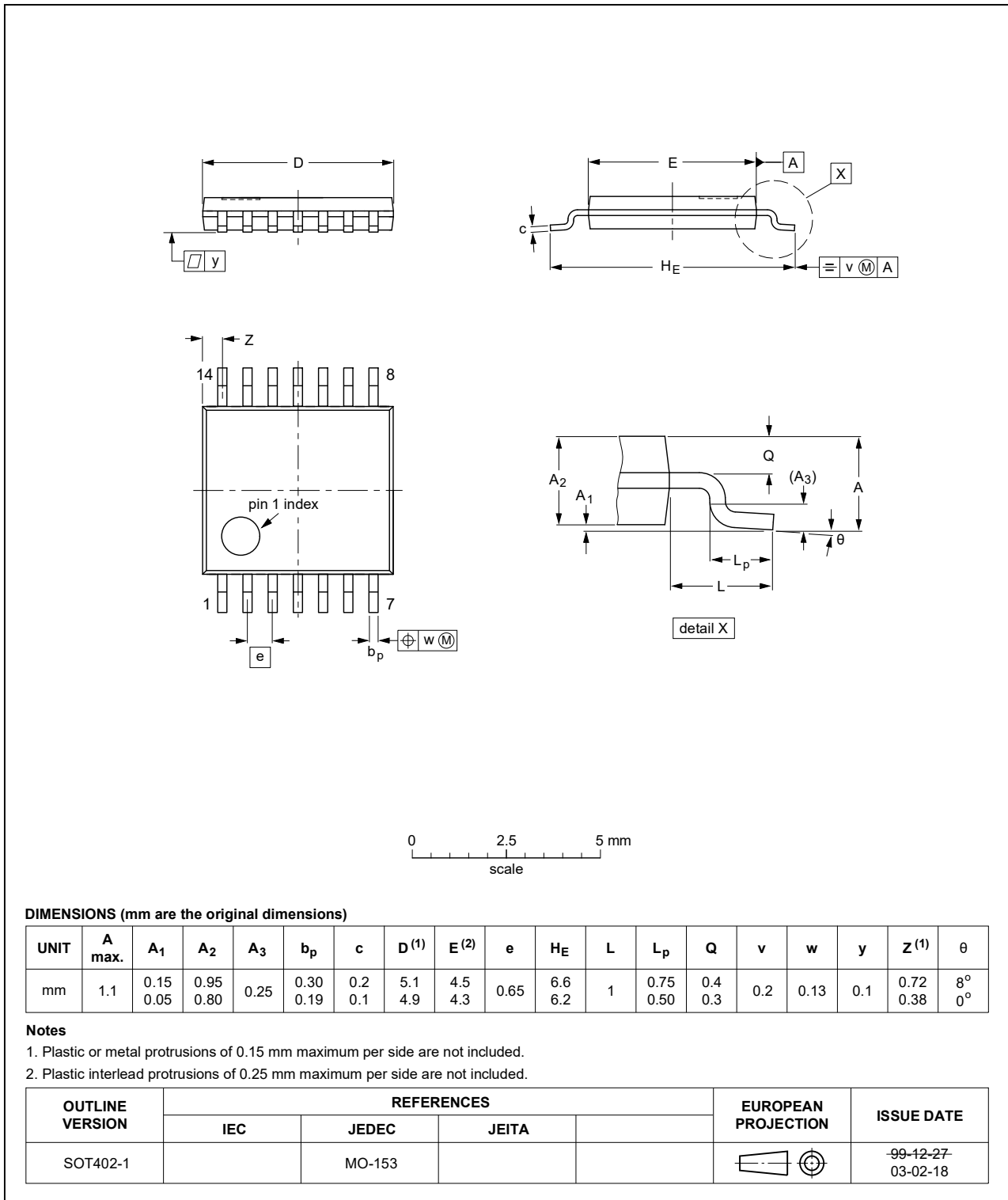


Fig. 11. Package outline SOT402-1 (TSSOP14)

DHXQFN14: plastic, leadless dual in-line compatible thermal enhanced extreme thin quad flat package; no leads; 14 terminals; 0.4 mm pitch; body 2 mm x 2 mm x 0.48 mm

SOT8014-1

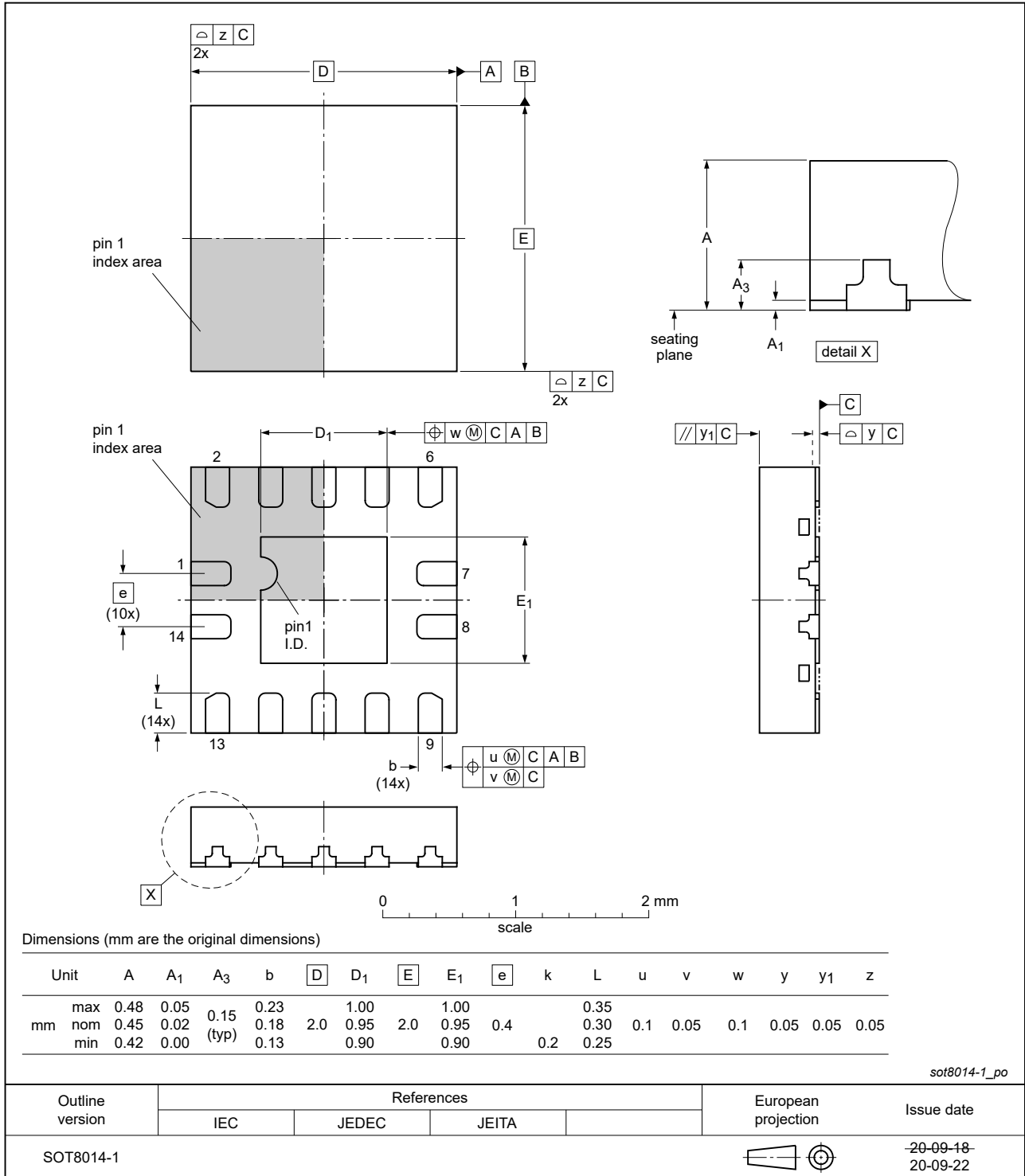


Fig. 12. Package outline SOT8014-1 (DHXQFN14)

12. Abbreviations

Table 11. Abbreviations

Acronym	Description
CDM	Charge Device Model
DUT	Device Under Test
ESD	ElectroStatic Discharge
HBM	Human Body Model
MM	Machine Model

13. Revision history

Table 12. Revision history

Document ID	Release date	Data sheet status	Change notice	Supersedes
74LV14A v.4	20210429	Product data sheet	-	74LV14A v.3
Modifications:	<ul style="list-style-type: none"> Type number 74LV14ABZ (SOT8014-1 / DHXQFN14) added. Table 4: Derating value for P_{tot} total power dissipation updated. 			
74LV14A v.3	20161102	Product data sheet	-	74LV14A v.2
Modifications:	<ul style="list-style-type: none"> Type numbers 74LV14AD and 74LV14ABQ removed. 			
74LV14A v.2	20160809	Product data sheet	-	74LV14A v.1
Modifications:	<ul style="list-style-type: none"> Section 1: Typo corrected. 			
74LV14A v.1	20160613	Product data sheet	-	-

14. Legal information

Data sheet status

Document status [1][2]	Product status [3]	Definition
Objective [short] data sheet	Development	This document contains data from the objective specification for product development.
Preliminary [short] data sheet	Qualification	This document contains data from the preliminary specification.
Product [short] data sheet	Production	This document contains the product specification.

- [1] Please consult the most recently issued document before initiating or completing a design.
- [2] The term 'short data sheet' is explained in section "Definitions".
- [3] The product status of device(s) described in this document may have changed since this document was published and may differ in case of multiple devices. The latest product status information is available on the internet at <https://www.nexperia.com>.

Definitions

Draft — The document is a draft version only. The content is still under internal review and subject to formal approval, which may result in modifications or additions. Nexperia does not give any representations or warranties as to the accuracy or completeness of information included herein and shall have no liability for the consequences of use of such information.

Short data sheet — A short data sheet is an extract from a full data sheet with the same product type number(s) and title. A short data sheet is intended for quick reference only and should not be relied upon to contain detailed and full information. For detailed and full information see the relevant full data sheet, which is available on request via the local Nexperia sales office. In case of any inconsistency or conflict with the short data sheet, the full data sheet shall prevail.

Product specification — The information and data provided in a Product data sheet shall define the specification of the product as agreed between Nexperia and its customer, unless Nexperia and customer have explicitly agreed otherwise in writing. In no event however, shall an agreement be valid in which the Nexperia product is deemed to offer functions and qualities beyond those described in the Product data sheet.

Disclaimers

Limited warranty and liability — Information in this document is believed to be accurate and reliable. However, Nexperia does not give any representations or warranties, expressed or implied, as to the accuracy or completeness of such information and shall have no liability for the consequences of use of such information. Nexperia takes no responsibility for the content in this document if provided by an information source outside of Nexperia.

In no event shall Nexperia be liable for any indirect, incidental, punitive, special or consequential damages (including - without limitation - lost profits, lost savings, business interruption, costs related to the removal or replacement of any products or rework charges) whether or not such damages are based on tort (including negligence), warranty, breach of contract or any other legal theory.

Notwithstanding any damages that customer might incur for any reason whatsoever, Nexperia's aggregate and cumulative liability towards customer for the products described herein shall be limited in accordance with the Terms and conditions of commercial sale of Nexperia.

Right to make changes — Nexperia reserves the right to make changes to information published in this document, including without limitation specifications and product descriptions, at any time and without notice. This document supersedes and replaces all information supplied prior to the publication hereof.

Suitability for use — Nexperia products are not designed, authorized or warranted to be suitable for use in life support, life-critical or safety-critical systems or equipment, nor in applications where failure or malfunction of an Nexperia product can reasonably be expected to result in personal

injury, death or severe property or environmental damage. Nexperia and its suppliers accept no liability for inclusion and/or use of Nexperia products in such equipment or applications and therefore such inclusion and/or use is at the customer's own risk.

Quick reference data — The Quick reference data is an extract of the product data given in the Limiting values and Characteristics sections of this document, and as such is not complete, exhaustive or legally binding.

Applications — Applications that are described herein for any of these products are for illustrative purposes only. Nexperia makes no representation or warranty that such applications will be suitable for the specified use without further testing or modification.

Customers are responsible for the design and operation of their applications and products using Nexperia products, and Nexperia accepts no liability for any assistance with applications or customer product design. It is customer's sole responsibility to determine whether the Nexperia product is suitable and fit for the customer's applications and products planned, as well as for the planned application and use of customer's third party customer(s). Customers should provide appropriate design and operating safeguards to minimize the risks associated with their applications and products.

Nexperia does not accept any liability related to any default, damage, costs or problem which is based on any weakness or default in the customer's applications or products, or the application or use by customer's third party customer(s). Customer is responsible for doing all necessary testing for the customer's applications and products using Nexperia products in order to avoid a default of the applications and the products or of the application or use by customer's third party customer(s). Nexperia does not accept any liability in this respect.

Limiting values — Stress above one or more limiting values (as defined in the Absolute Maximum Ratings System of IEC 60134) will cause permanent damage to the device. Limiting values are stress ratings only and (proper) operation of the device at these or any other conditions above those given in the Recommended operating conditions section (if present) or the Characteristics sections of this document is not warranted. Constant or repeated exposure to limiting values will permanently and irreversibly affect the quality and reliability of the device.

Terms and conditions of commercial sale — Nexperia products are sold subject to the general terms and conditions of commercial sale, as published at <http://www.nexperia.com/profile/terms>, unless otherwise agreed in a valid written individual agreement. In case an individual agreement is concluded only the terms and conditions of the respective agreement shall apply. Nexperia hereby expressly objects to applying the customer's general terms and conditions with regard to the purchase of Nexperia products by customer.

No offer to sell or license — Nothing in this document may be interpreted or construed as an offer to sell products that is open for acceptance or the grant, conveyance or implication of any license under any copyrights, patents or other industrial or intellectual property rights.

Export control — This document as well as the item(s) described herein may be subject to export control regulations. Export might require a prior authorization from competent authorities.

Non-automotive qualified products — Unless this data sheet expressly states that this specific Nexperia product is automotive qualified, the product is not suitable for automotive use. It is neither qualified nor tested in accordance with automotive testing or application requirements. Nexperia accepts no liability for inclusion and/or use of non-automotive qualified products in automotive equipment or applications.

In the event that customer uses the product for design-in and use in automotive applications to automotive specifications and standards, customer (a) shall use the product without Nexperia's warranty of the product for such automotive applications, use and specifications, and (b) whenever customer uses the product for automotive applications beyond Nexperia's specifications such use shall be solely at customer's own risk, and (c) customer fully indemnifies Nexperia for any liability, damages or failed product claims resulting from customer design and use of the product for automotive applications beyond Nexperia's standard warranty and Nexperia's product specifications.

Translations — A non-English (translated) version of a document is for reference only. The English version shall prevail in case of any discrepancy between the translated and English versions.

Trademarks

Notice: All referenced brands, product names, service names and trademarks are the property of their respective owners.

Contents

1. General description	1
2. Features and benefits	1
3. Ordering information	1
4. Functional diagram	2
5. Pinning information	2
5.1. Pinning.....	2
5.2. Pin description.....	3
6. Functional description	3
7. Limiting values	3
8. Recommended operating conditions	4
9. Static characteristics	4
9.1. Transfer characteristics waveforms.....	5
10. Dynamic characteristics	7
10.1. Waveforms and test circuit.....	8
11. Package outline	9
12. Abbreviations	11
13. Revision history	11
14. Legal information	12

© Nexperia B.V. 2021. All rights reserved

For more information, please visit: <http://www.nexperia.com>

For sales office addresses, please send an email to: salesaddresses@nexperia.com

Date of release: 29 April 2021
