

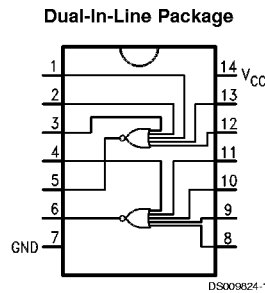
DM74LS260

Dual 5-Input NOR Gate

General Description

This device contains two individual five input gates, each of which perform the logic NOR function.

Connection Diagram



Order Number DM54LS260J, DM54LS260W,
DN54LS260E, DM74LS260M or DM74LS260N
See Package Number E20A, J14A, M14A, N14A or W14B

Truth Table

$$\overline{A + B + C + D + E} = Y$$

Inputs					Outputs
A	B	C	D	E	Y
L	L	L	L	L	H
X	X	X	X	H	L
X	X	X	H	X	L
X	X	H	X	X	L
X	H	X	X	X	L
H	X	X	X	X	L

Absolute Maximum Ratings (Note 1)

Supply Voltage	7V	DM54LS	-55°C to +125°C
Input Voltage	7V	DM74LS	0°C to +70°C
Operating Free Air Temperature Range		Storage Temperature Range	-65°C to +150°C

Recommended Operating Conditions

Symbol	Parameter	DM54LS260			DM74LS260			Units
		Min	Nom	Max	Min	Nom	Max	
V _{CC}	Supply Voltage	4.5	5	5.5	4.75	5	5.25	V
V _{IH}	High Level Input Voltage	2			2			V
V _{IL}	Low Level Input Voltage			0.7			0.8	V
I _{OH}	High Level Output Current			-0.4			-0.4	mA
I _{OL}	Low Level Output Current			4			8	mA
T _A	Free Air Operating Temperature	-55		125	0		70	°C

Note 1: The "Absolute Maximum Ratings" are those values beyond which the safety of the device cannot be guaranteed. The device should not be operated at these limits. The parametric values defined in the "Electrical Characteristics" table are not guaranteed at the absolute maximum ratings. The "Recommended Operating Conditions" table will define the conditions for actual device operation.

Electrical Characteristics

over recommended operating free air temperature range (unless otherwise noted)

Symbol	Parameter	Conditions	Min	Typ (Note 2)	Max	Units
V _I	Input Clamp Voltage	V _{CC} = Min, I _I = -18 mA			-1.5	V
V _{OH}	High Level Output Voltage	V _{CC} = Min, I _{OH} = Max V _{IL} = Max	DM54 2.5			V
V _{OL}	Low Level Output Voltage	V _{CC} = Min, I _{OL} = Max	DM54		0.4	V
		V _{IH} = Min	DM74		0.5	
		I _{OL} = 4 mA, V _{CC} = Min	DM74		0.4	
I _I	Input Current @ Max Input Voltage	V _{CC} = Max, V _I = 7V V _I = 10V	DM54		0.1	mA
I _{IH}	High Level Input Current	V _{CC} = Max, V _I = 2.7V			20	µA
I _{IL}	Low Level Input Current	V _{CC} = Max, V _I = 0.4V	DM54		-0.40	mA
			DM74		-0.36	
I _{OS}	Short Circuit Output Current	V _{CC} = Max (Note 2)	DM54	-20	-100	mA
			DM74	-20	-100	
I _{CCH}	Supply Current with Outputs High	V _{CC} = Max, V _{IN} = GND			4.0	mA
I _{CCL}	Supply Current with Outputs Low	V _{CC} = Max, V _{IN} = Open			5.5	mA

Note 2: All typicals are at V_{CC} = 5V, T_A = 25°C.

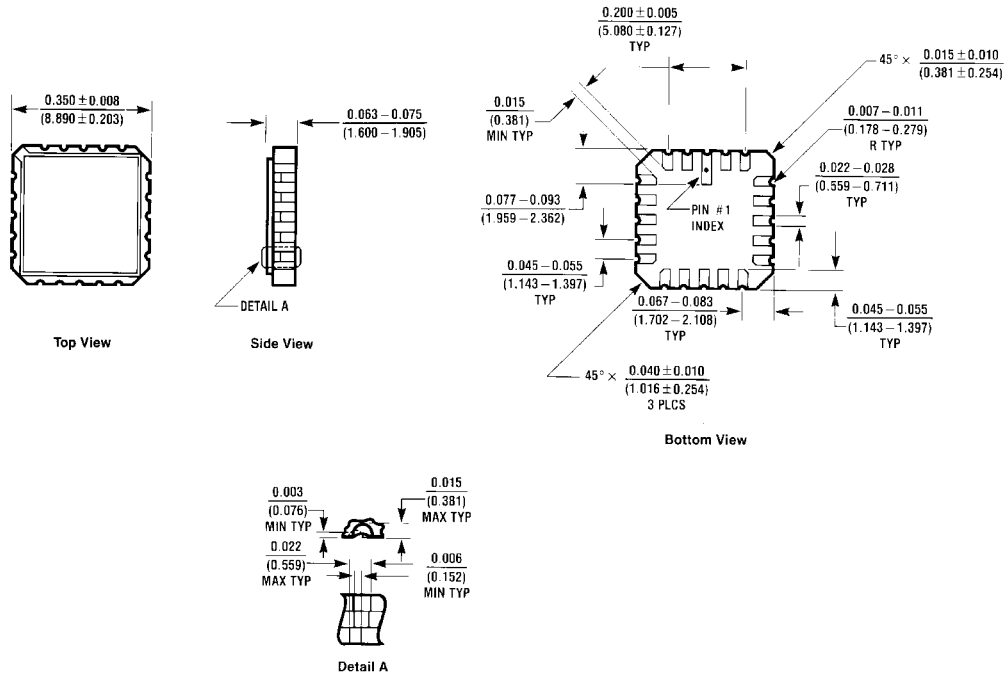
Note 3: Not more than one output should be shorted at a time, and the duration should not exceed one second.

Switching Characteristics

V_{CC} = +5V, T_A = +25°C

Symbol	Parameter	R _L = 2 kΩ, C _L = 15 pF		Units
		Min	Max	
t _{PLH}	Propagation Delay Time Low to High Level Output		10	ns
t _{PHL}	Propagation Delay Time High to Low Level Output		12	ns

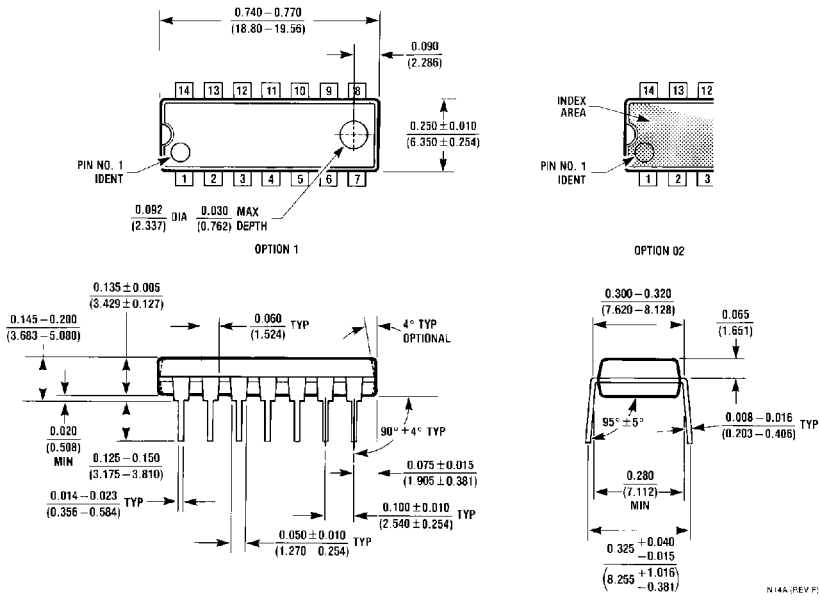
Physical Dimensions inches (millimeters) unless otherwise noted



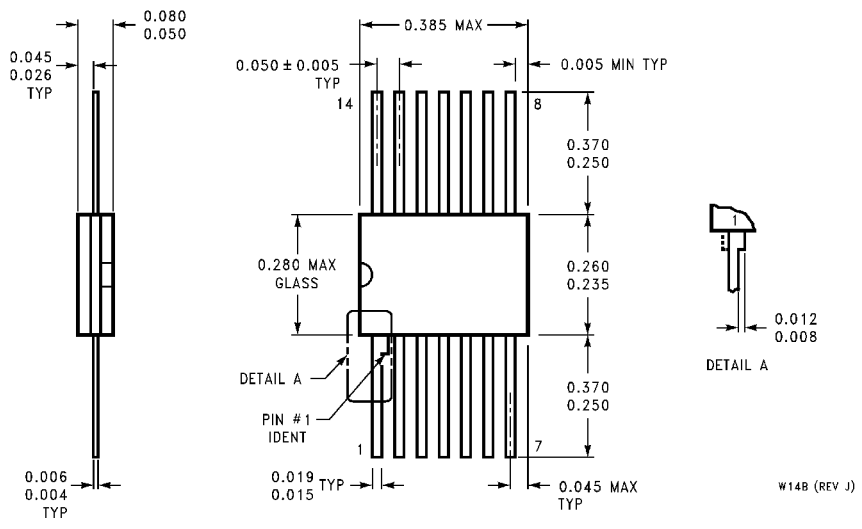
E20A (REV D)

Ceramic Leadless Chip Carrier Package (E)
Order Number DM54LS260E
Package Number E20A

Physical Dimensions inches (millimeters) unless otherwise noted (Continued)



14-Lead Molded Dual-In-Line Package (N)
Order Number DM74LS260N
Package Number N14A



14-Lead Ceramic Flat Package (W)
Order Number DM54LS260W
Package Number W14B