

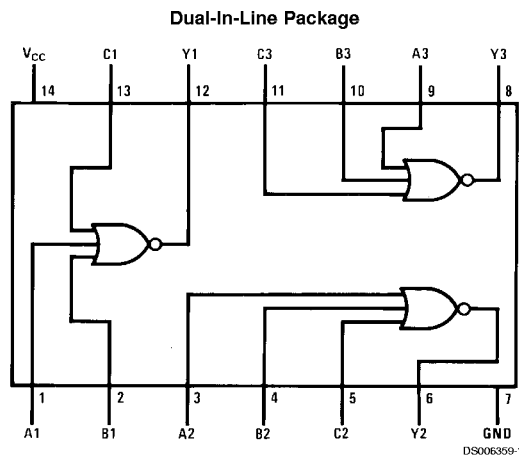
DM74LS27

Triple 3-Input NOR Gates

General Description

This device contains three independent gates each of which performs the logic NOR function.

Connection Diagram



Order Number DM54LS27J, DM54LS27W,
DM54LS27E, DM74LS27M or DM74LS27N
See Package Number E20A, J14A, M14A, N14A or W14B

Function Table

$$Y = \overline{A + B + C}$$

Inputs			Output
A	B	C	Y
L	L	L	H
X	X	H	L
X	H	X	L
H	X	X	L

H = High Logic Level
L = Low Logic Level
X = Either Low or High Logic Level

Absolute Maximum Ratings (Note 1)

Supply Voltage	7V	DM54LS and 54LS	-55°C to +125°C
Input Voltage	7V	DM74LS	0°C to +70°C
Operating Free Air Temperature Range		Storage Temperature Range	-65°C to +150°C

Recommended Operating Conditions

Symbol	Parameter	DM54LS27			DM74LS27			Units
		Min	Nom	Max	Min	Nom	Max	
V _{CC}	Supply Voltage	4.5	5	5.5	4.75	5	5.25	V
V _{IH}	High Level Input Voltage	2			2			V
V _{IL}	Low Level Input Voltage			0.7			0.8	V
I _{OH}	High Level Output Current			-0.4			-0.4	mA
I _{OL}	Low Level Output Current			4			8	mA
T _A	Free Air Operating Temperature	-55		125	0		70	°C

Note 1: The "Absolute Maximum Ratings" are those values beyond which the safety of the device cannot be guaranteed. The device should not be operated at these limits. The parametric values defined in the "Electrical Characteristics" table are not guaranteed at the absolute maximum ratings. The "Recommended Operating Conditions" table will define the conditions for actual device operation.

Electrical Characteristics

over recommended operating free air temperature range (unless otherwise noted)

Symbol	Parameter	Conditions	Min	Typ (Note 2)	Max	Units
V _I	Input Clamp Voltage	V _{CC} = Min, I _I = -18 mA			-1.5	V
V _{OH}	High Level Output Voltage	V _{CC} = Min, I _{OH} = Max, V _{IL} = Max	DM54 2.5			V
			DM74 2.7	3.4		
V _{OL}	Low Level Output Voltage	V _{CC} = Min, I _{OL} = Max, V _{IH} = Min	DM54		0.4	V
		I _{OL} = 4 mA, V _{CC} = Min	DM74	0.35	0.5	
I _I	Input Current @ Max Input Voltage	V _{CC} = Max, V _I = 7V			0.1	mA
I _{IH}	High Level Input Current	V _{CC} = Max, V _I = 2.7V			20	μA
I _{IL}	Low Level Input Current	V _{CC} = Max, V _I = 0.4V			-0.36	mA
I _{OS}	Short Circuit Output Current	V _{CC} = Max (Note 3)	DM54 -20		-100	mA
			DM74 -20		-100	
I _{COH}	Supply Current with Outputs High	V _{CC} = Max		2	4	mA
I _{COL}	Supply Current with Outputs Low	V _{CC} = Max		3.4	6.8	mA

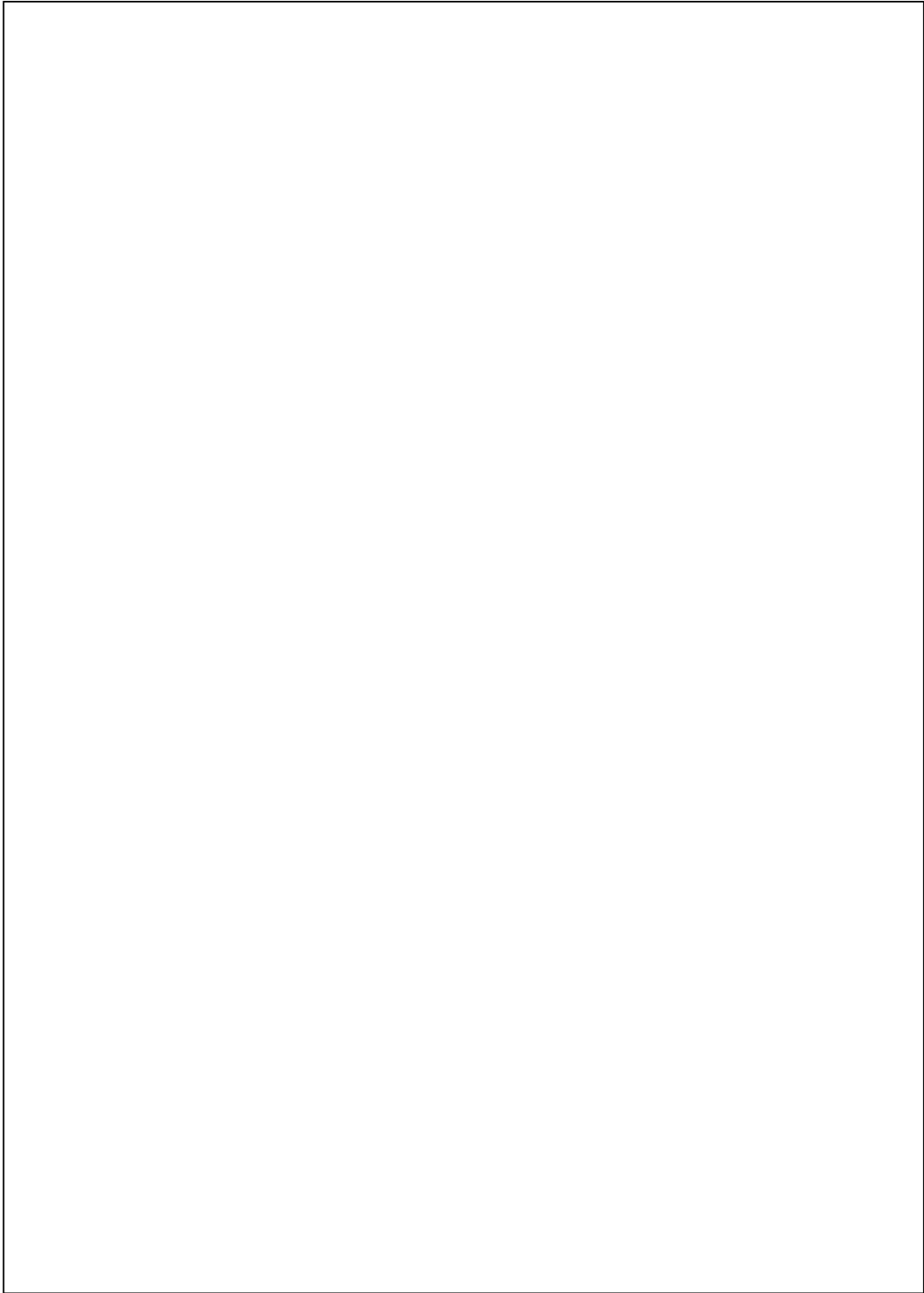
Switching Characteristics

at $V_{CC} = 5V$ and $T_A = 25^\circ C$

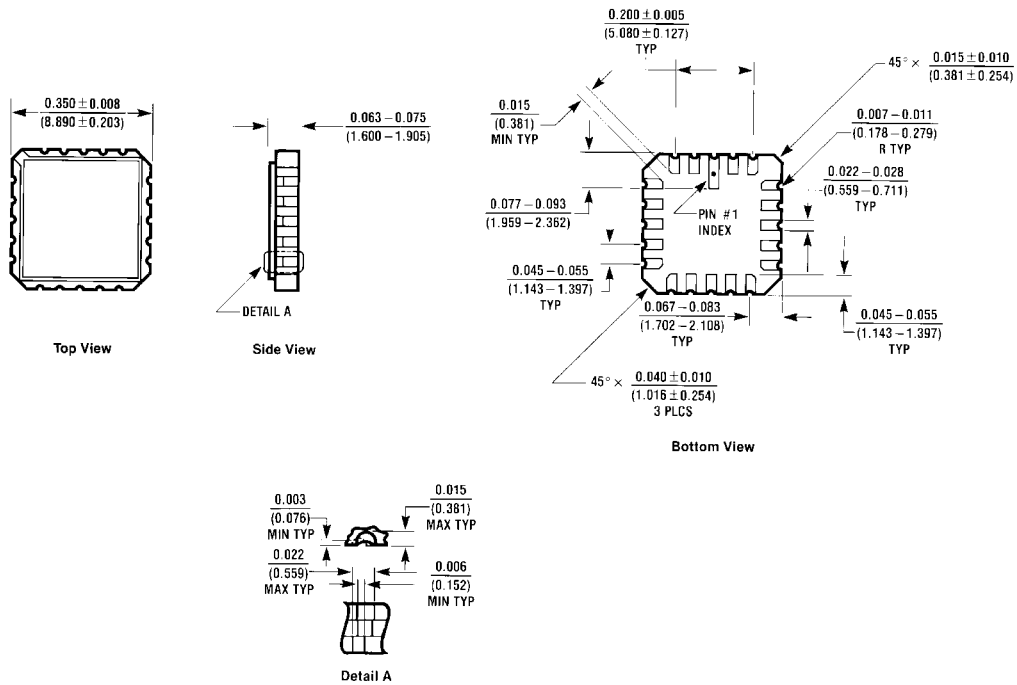
Symbol	Parameter	DM54		DM74				Units
		$R_L = 2\text{ k}\Omega$						
		$C_L = 15\text{ pF}$		$C_L = 15\text{ pF}$		$C_L = 50\text{ pF}$		
		Min	Max	Min	Max	Min	Max	
t_{PLH}	Propagation Delay Time Low to High Level Output	3	13	3	13	5	18	ns
t_{PHL}	Propagation Delay Time High to Low Level Output	3	13	3	10	4	15	ns

Note 2: All typicals are at $V_{CC} = 5V$, $T_A = 25^\circ C$.

Note 3: Not more than one output should be shorted at a time, and the duration should not exceed one second.



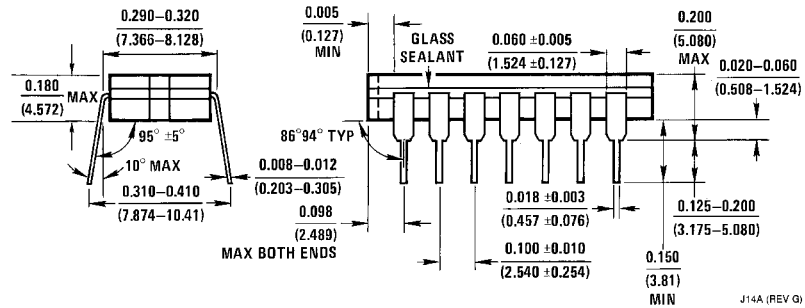
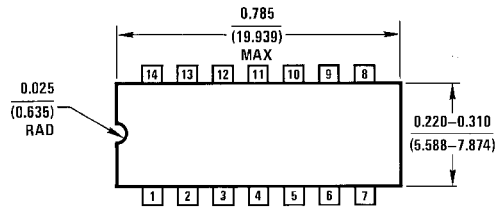
Physical Dimensions inches (millimeters) unless otherwise noted



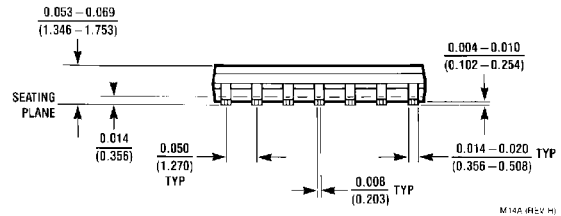
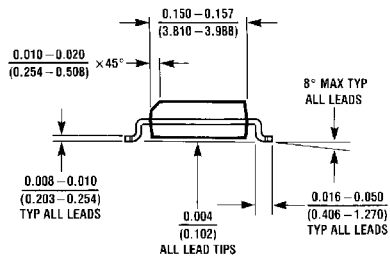
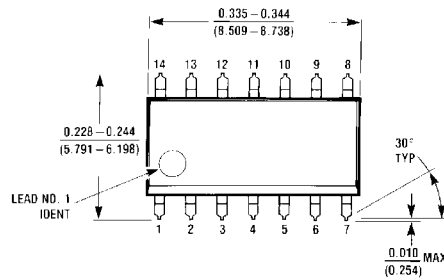
E20A (F&V) (1)

Ceramic Leadless Chip Carrier Package (E)
Order Number DM54LS27E
Package Number E20A

Physical Dimensions inches (millimeters) unless otherwise noted (Continued)

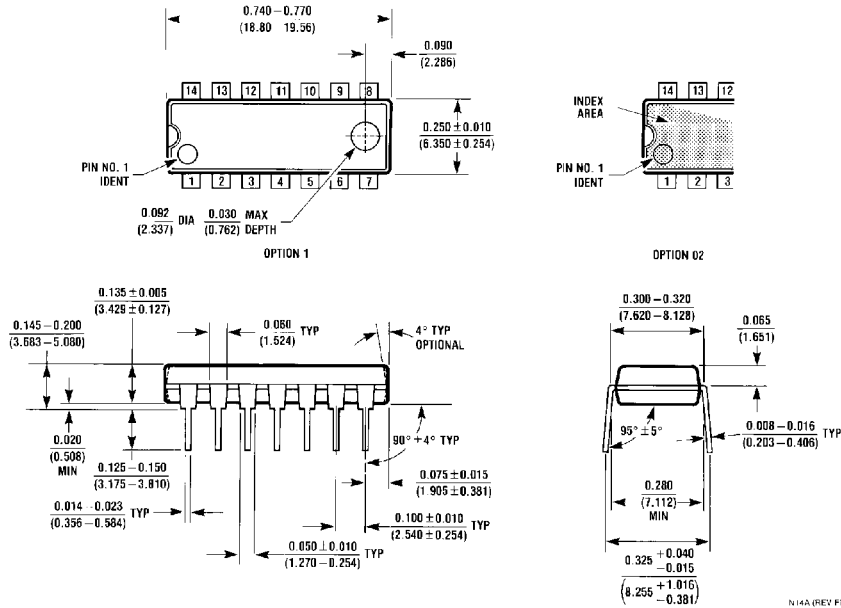


14-Lead Ceramic Dual-In-Line Package (J)
Order Number DM54LS27J
Package Number J14A

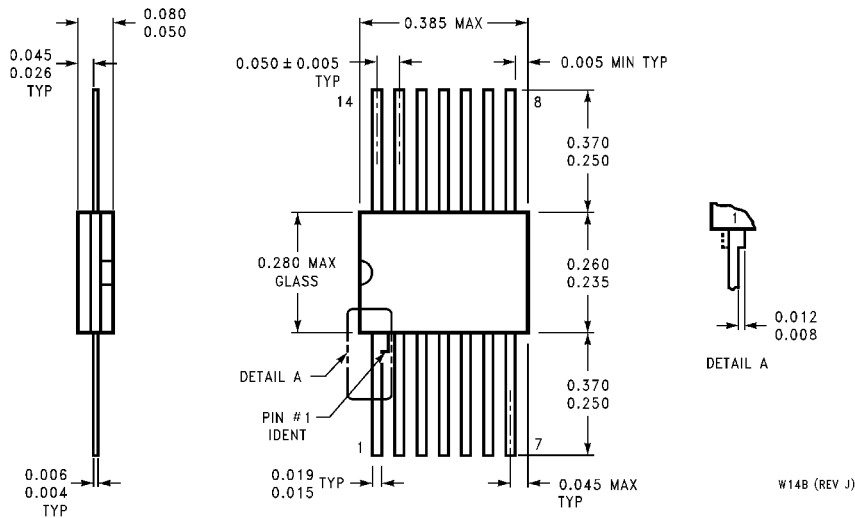


14-Lead Small Outline Molded Package (M)
Order Number DM74LS27M
Package Number M14A

Physical Dimensions inches (millimeters) unless otherwise noted (Continued)



14-Lead Molded Dual-In-Line Package (N)
Order Number DM74LS27N
Package Number N14A



14-Lead Ceramic Flat Package (W)
Order Number DM54LS27W
Package Number W14B