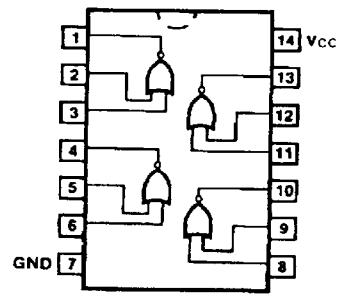


✓ 54/7402 011098  
 ✓ 54S/74S02 011105  
 ✓ 54LS/74LS02 011103  
 QUAD 2-INPUT NOR GATE

CONNECTION DIAGRAMS  
 PINOUT A

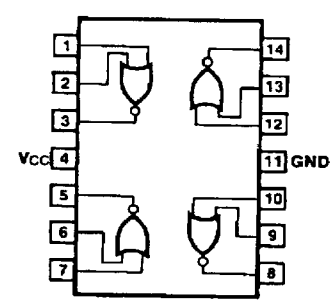


4

ORDERING CODE: See Section 9

PKGS	PIN OUT	COMMERCIAL GRADE	MILITARY GRADE	PKG TYPE
		V <sub>CC</sub> = +5.0 V ±5%, T <sub>A</sub> = 0° C to +70° C	V <sub>CC</sub> = +5.0 V ±10%, T <sub>A</sub> = -55° C to +125° C	
Plastic DIP (P)	A	7402PC, 74LS02PC 74S02PC		9A
Ceramic DIP (D)	A	7402DC, 74LS02DC 74S02DC	5402DM, 54LS02DM 54S02DM	6A
Flatpak (F)	A	74LS02FC, 74S02FC	54LS02FM, 54S02FM	3I
	B	7402FC	5402FM	

PINOUT B



INPUT LOADING/FAN-OUT: See Section 3 for U.L. definitions

PINS	54/74 (U.L.) HIGH/LOW	54/74S (U.L.) HIGH/LOW	54/74LS (U.L.) HIGH/LOW
Inputs	1.0/1.0	1.25/1.25	0.5/0.25
Outputs	20/10	25/12.5	10/5.0 (2.5)

DC AND AC CHARACTERISTICS: See Section 3\*

SYMBOL	PARAMETER	54/74		54/74S		54/74LS		UNITS	CONDITIONS
		Min	Max	Min	Max	Min	Max		
I <sub>CC</sub> H	Power Supply Current	16		29		3.2		mA	V <sub>IN</sub> = Gnd
I <sub>CC</sub> L		27		45		5.4			V <sub>IN</sub> = Open
t <sub>PLH</sub>	Propagation Delay	15	2.0	5.5		10		ns	Figs. 3-1, 3-4
t <sub>PHL</sub>		15	2.0	5.5		10			

\*DC limits apply over operating temperature range; AC limits apply at T<sub>A</sub> = +25° C and V<sub>CC</sub> = +5.0 V.