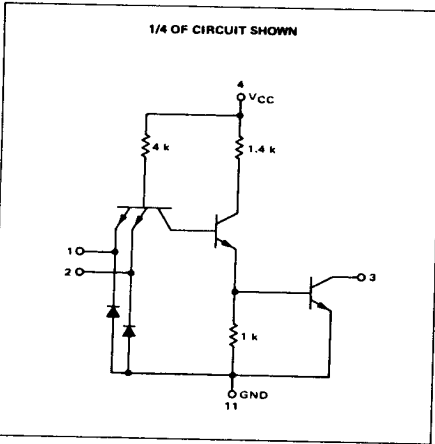


QUAD 2-INPUT "NAND" GATE  
WITH OPEN COLLECTOR

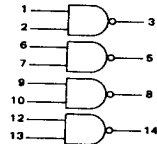
MTTL MC5400F/7400F series

MC5401F\*  
MC7401F\*



\* F suffix = TO-85 ceramic package (Case 609).  
See General Information section for package outline dimensions.

This device consists of four 2-input NAND gates with no output pullup network. It can be used where the Wired-OR function is required, or for driving discrete components.



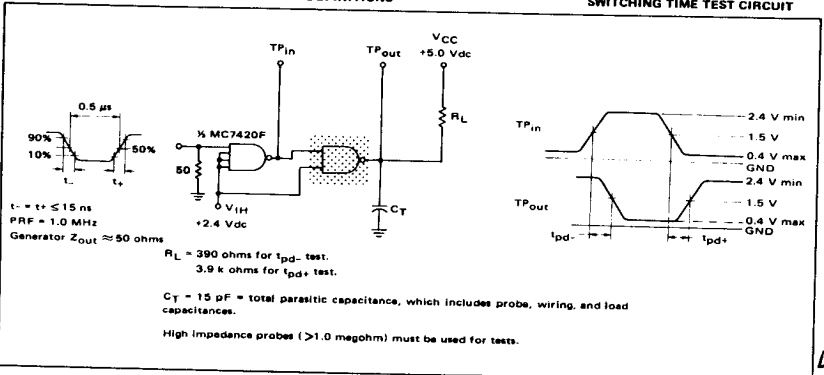
Positive Logic:  $3 = \overline{1 \cdot 2}$   
Negative Logic:  $3 = \overline{1 \cdot 2}$

Input Loading Factor = 1  
Output Loading Factor = 10

Total Power Dissipation = 40 mW typ/pkg  
Propagation Delay Time = 35 ns typ

VOLTAGE WAVEFORMS AND DEFINITIONS

SWITCHING TIME TEST CIRCUIT



427

