

ISL89400, ISL89401

100V, 1.25A Peak, High Frequency Half-Bridge Drivers

FN6614
Rev 3.00
December 4, 2015

The [ISL89400](#), [ISL89401](#) are 100V, high frequency, half-bridge N-Channel power MOSFET driver ICs. They are based on the popular HIP2100, HIP2101 half-bridge drivers, but offer several performance improvements. The ISL89400 has additional input hysteresis for superior operation in noisy environments and the inputs of the ISL89401 (like those of the ISL89400) can now safely swing to the V_{DD} supply rail. Finally, both parts are available in a very compact 9 Ld DFN package and an 8 Ld SOIC to minimize the required PCB footprint.

Applications

- Telecom half-bridge converters
- Telecom full-bridge converters
- Two-switch forward converters
- Active-clamp forward converters
- Class-D audio amplifiers

TABLE 1. KEY DIFFERENCES BETWEEN FAMILY OF PARTS

| PART NUMBER | INPUT THRESHOLDS |
|-------------|---------------------|
| ISL89400 | CMOS Compatible |
| ISL89401 | 3.3V/TTL Compatible |

Features

- Drives N-channel MOSFET half-bridge
- Space saving DFN package
- DFN package compliant with 100V conductor spacing guidelines per IPC-2221
- Pb-free (RoHS compliant)
- Bootstrap supply maximum voltage to 114VDC
- On-chip 1Ω bootstrap diode
- Fast propagation times for multi-MHz circuits
- Drives 1nF load with typical rise/fall times of 16ns
- CMOS compatible input thresholds (ISL89400)
- 3.3V/TTL compatible input thresholds (ISL89401)
- Independent inputs provide flexibility
- No start-up problems
- Outputs unaffected by supply glitches, HS ringing below ground or HS slewing at high dV/dt
- Low power consumption
- Wide supply voltage range (9V to 14V)
- Supply undervoltage protection
- 4.0Ω typical output pull-up/pull-down resistance

Application Block Diagram

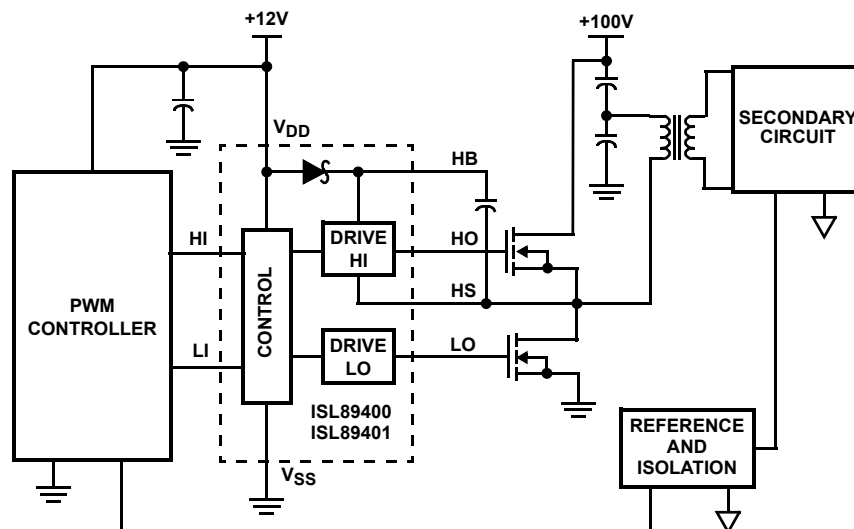


FIGURE 1. APPLICATION BLOCK DIAGRAM

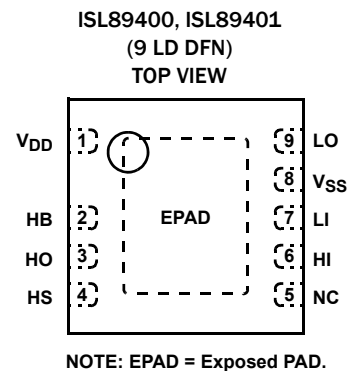
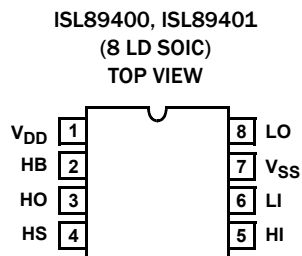
Ordering Information

| PART NUMBER (Notes 3, 4) | PART MARKING | TEMP. RANGE (°C) | PACKAGE (RoHS Compliant) | PKG. DWG. # |
|-----------------------------|--------------|---------------------|-----------------------------|----------------|
| ISL89400AR3Z (Note 1) | 9400 | -40 to +125 | 9 Ld 3x3 DFN | L9.3x3 |
| ISL89401AR3Z (Note 1) | 9401 | -40 to +125 | 9 Ld 3x3 DFN | L9.3x3 |
| ISL89400ABZ (Note 2) | 89400 ABZ | -40 to +125 | 8 Ld SOIC | M8.15 |
| ISL89401ABZ (Note 2) | 89401 ABZ | -40 to +125 | 8 Ld SOIC | M8.15 |

NOTES:

1. Add "-T" suffix for tape and reel. Please refer to [TB347](#) for details on reel specifications.
2. Add "-T" suffix for 2.5k unit or add "-TK" suffix for 1k unit tape and reel. Please refer to [TB347](#) for details on reel specifications.
3. These Intersil Pb-free plastic packaged products employ special Pb-free material sets, molding compounds/die attach materials, and 100% matte tin plate plus anneal (e3 termination finish, which is RoHS compliant and compatible with both SnPb and Pb-free soldering operations). Intersil Pb-free products are MSL classified at Pb-free peak reflow temperatures that meet or exceed the Pb-free requirements of IPC/JEDEC J STD-020.
4. For Moisture Sensitivity Level (MSL), please see product information page for [ISL89400](#), [ISL89401](#). For more information on MSL, please see tech brief [TB363](#).

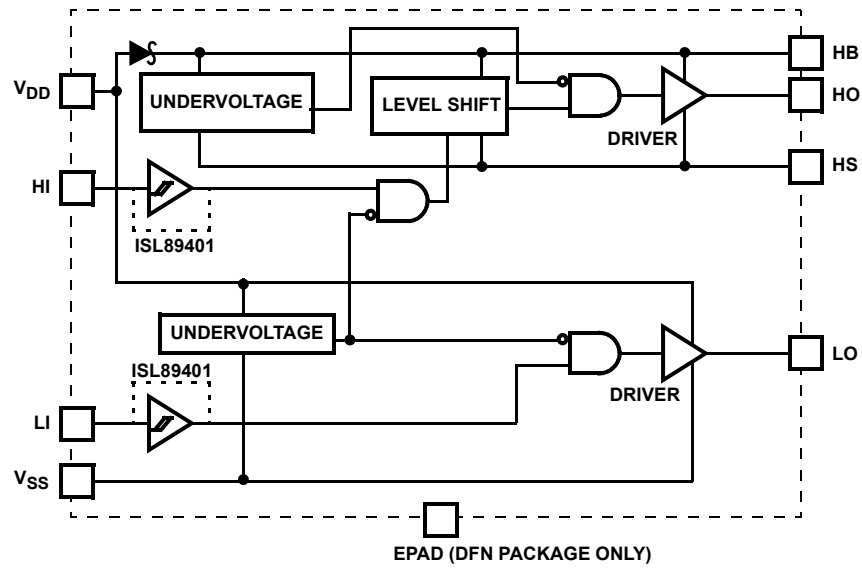
Pin Configurations



Pin Descriptions

| SYMBOL | DESCRIPTION |
|-----------------|---|
| V _{DD} | Positive supply to lower gate driver. Bypass this pin to V _{SS} . |
| HB | High-side bootstrap supply. External bootstrap capacitor is required. Connect positive side of bootstrap capacitor to this pin. Bootstrap diode is on-chip. |
| HO | High-side output. Connect to gate of high-side power MOSFET. |
| HS | High-side source connection. Connect to source of high-side power MOSFET. Connect negative side of bootstrap capacitor to this pin. |
| HI | High-side input. |
| LI | Low-side input. |
| V _{SS} | Chip negative supply, which will generally be ground. |
| LO | Low-side output. Connect to gate of low-side power MOSFET. |
| NC | No connect. |
| EPAD | Exposed pad. Connect to ground or float. The EPAD is electrically isolated from all other pins. |

Functional Block Diagram



*EPAD = EXPOSED PAD. THE EPAD IS ELECTRICALLY ISOLATED FROM ALL OTHER PINS. FOR BEST THERMAL PERFORMANCE, CONNECT THE EPAD TO THE PCB POWER GROUND PLANE.

FIGURE 2. FUNCTIONAL BLOCK DIAGRAM

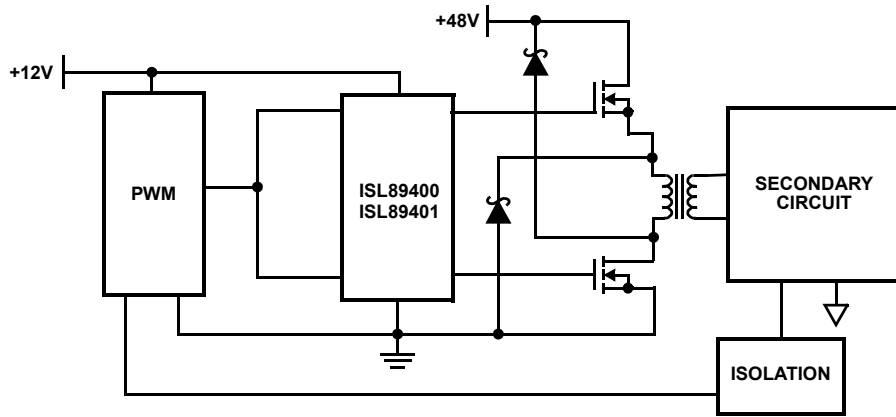


FIGURE 3. TWO-SWITCH FORWARD CONVERTER

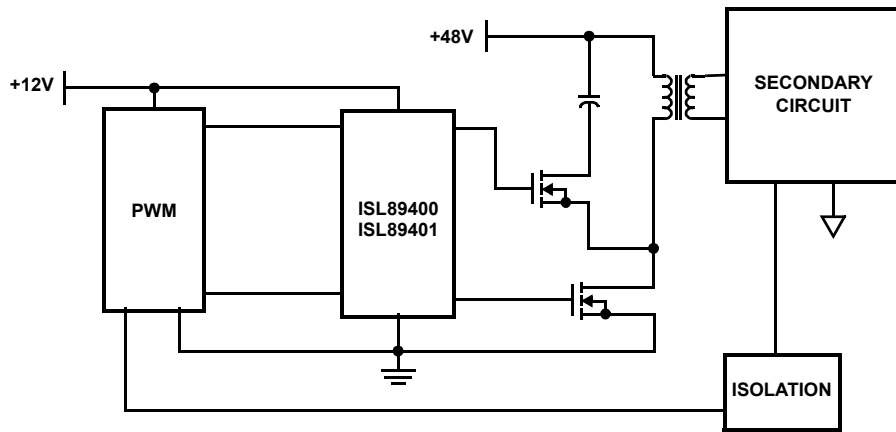


FIGURE 4. FORWARD CONVERTER WITH AN ACTIVE-CLAMP

Absolute Maximum Ratings

| | |
|---|------------------------------------|
| Supply Voltage, V_{DD} , V_{HB} - V_{HS} (Note 6) | -0.3V to 18V |
| LI and HI Voltages (Note 6) | -0.3V to $V_{DD} + 0.3V$ |
| Voltage on LO (Note 6) | -0.3V to $V_{DD} + 0.3V$ |
| Voltage on HO (Note 6) | $V_{HS} - 0.3V$ to $V_{HB} + 0.3V$ |
| Voltage on HS (Continuous) (Note 6) | -1V to 110V |
| Voltage on HB (Note 6) | 118V |
| Average Current in V_{DD} to HB Diode | 100mA |

Thermal Information

| | | |
|---|-------------------------------------|---------------------------------|
| Thermal Resistance (Typical) | θ_{JA} ($^{\circ}C/W$) | θ_{JC} ($^{\circ}C/W$) |
| 9 Ld DFN (Notes 7, 9) | 55 | 3.5 |
| 8 Ld SOIC (Note 8, 10) | 107 | 50 |
| Max Power Dissipation at +25 $^{\circ}C$ in Free Air (Note 7) | 2.27W | |
| Storage Temperature Range | -65 $^{\circ}C$ to +150 $^{\circ}C$ | |
| Junction Temperature Range | -55 $^{\circ}C$ to +150 $^{\circ}C$ | |
| Pb-free reflow profile | see link TB493 | |

Maximum Recommended Operating Conditions

| | |
|--------------------------------------|--|
| Supply Voltage, V_{DD} (Note 5) | 9V to 14V |
| Voltage on HS | -1V to 100V |
| Voltage on HS (Repetitive Transient) | -5V to 105V |
| Voltage on HB | $V_{HS} + 8V$ to $V_{HS} + 14V$ and $V_{DD} - 1V$ to $V_{DD} + 100V$ |
| HS Slew Rate | <50V/ns |

CAUTION: Do not operate at or near the maximum ratings listed for extended periods of time. Exposure to such conditions may adversely impact product reliability and result in failures not covered by warranty.

NOTES:

- The ISL89400 and ISL89401 are capable of derated operation at supply voltages exceeding 14V. [Figure 24](#) shows the high-side voltage derating curve for this mode of operation.
- All voltages referenced to V_{SS} , unless otherwise specified.
- θ_{JA} is measured in free air with the component mounted on a high effective thermal conductivity test board with "direct attach" features. See Tech Brief [TB379](#).
- θ_{JA} is measured with the component mounted on a high effective thermal conductivity test board in free air. See Tech Brief [TB379](#) for details.
- For θ_{JC} , the "case temp" is measured at the center of the exposed metal pad on the package underside. See Tech Brief [TB379](#) for details.
- For θ_{JC} , the "case temp" location is taken at the package top center.

Electrical Specifications $V_{DD} = V_{HB} = 12V$, $V_{SS} = V_{HS} = 0V$, No Load on LO or HO, unless otherwise specified. Parameters with MIN and/or MAX limits are 100% tested at +25 $^{\circ}C$, unless otherwise specified. Temperature limits at -40 $^{\circ}C$ and +125 $^{\circ}C$ are established by characterization and are not production tested.

| PARAMETERS | SYMBOL | TEST CONDITIONS | $T_J = +25^{\circ}C$ | | | $T_J = -40^{\circ}C$ to +125 $^{\circ}C$ | | UNIT |
|------------------------------------|------------|--|----------------------|------|------|--|------|------------|
| | | | MIN | TYP | MAX | MIN | MAX | |
| SUPPLY CURRENTS | | | | | | | | |
| V_{DD} Quiescent Current | I_{DD} | ISL89400; LI = HI = 0V | - | 0.1 | 0.25 | - | 0.3 | mA |
| V_{DD} Quiescent Current | I_{DD} | ISL89401; LI = HI = 0V | - | 0.3 | 0.45 | - | 0.55 | mA |
| V_{DD} Operating Current | I_{DDO} | ISL89400; f = 500kHz | - | 1.6 | 2.2 | - | 2.7 | mA |
| V_{DD} Operating Current | I_{DDO} | ISL89401; f = 500kHz | - | 1.9 | 2.5 | - | 3 | mA |
| Total HB Quiescent Current | I_{HB} | LI = HI = 0V | - | 0.1 | 0.15 | - | 0.2 | mA |
| Total HB Operating Current | I_{HBO} | f = 500kHz | - | 2.0 | 2.5 | - | 3 | mA |
| HB to V_{SS} Current, Quiescent | I_{HBS} | LI = HI = 0V; $V_{HB} = V_{HS} = 114V$ | - | 0.05 | 1 | - | 10 | μA |
| HB to V_{SS} Current, Operating | I_{HBSO} | f = 500kHz; $V_{HB} = V_{HS} = 114V$ | - | 0.9 | - | - | - | mA |
| INPUT PINS | | | | | | | | |
| Low Level Input Voltage Threshold | V_{IL} | ISL89400 | 3.7 | 4.4 | - | 2.7 | - | V |
| Low Level Input Voltage Threshold | V_{IL} | ISL89401 | 1.4 | 1.8 | - | 1.2 | - | V |
| High Level Input Voltage Threshold | V_{IH} | ISL89400 | - | 6.6 | 7.4 | - | 8.4 | V |
| High Level Input Voltage Threshold | V_{IH} | ISL89401 | - | 1.8 | 2.2 | - | 2.4 | V |
| Input Voltage Hysteresis | V_{IHYS} | ISL89400 | - | 2.2 | - | - | - | V |
| Input Pull-Down Resistance | R_I | | - | 210 | - | 100 | 500 | k Ω |

Electrical Specifications $V_{DD} = V_{HB} = 12V$, $V_{SS} = V_{HS} = 0V$, No Load on LO or HO, unless otherwise specified. Parameters with MIN and/or MAX limits are 100% tested at +25°C, unless otherwise specified. Temperature limits at -40°C and +125°C are established by characterization and are not production tested. (Continued)

| PARAMETERS | SYMBOL | TEST CONDITIONS | $T_J = +25^\circ\text{C}$ | | | $T_J = -40^\circ\text{C to } +125^\circ\text{C}$ | | UNIT |
|--------------------------------|-----------|--|---------------------------|------|-----|--|-----|----------|
| | | | MIN | TYP | MAX | MIN | MAX | |
| UNDervoltage Protection | | | | | | | | |
| V_{DD} Rising Threshold | VDDR | | 6.8 | 7.3 | 7.8 | 6.5 | 8.1 | V |
| V_{DD} Threshold Hysteresis | VDDH | | - | 0.6 | - | - | - | V |
| HB Rising Threshold | VHBR | | 6.2 | 6.9 | 7.5 | 5.9 | 7.8 | V |
| HB Threshold Hysteresis | VHBH | | - | 0.6 | - | - | - | V |
| BOOTSTRAP DIODE | | | | | | | | |
| Low Current Forward Voltage | V_{DL} | $I_{VDD-HB} = 100\mu\text{A}$ | - | 0.5 | 0.6 | - | 0.7 | V |
| High Current Forward Voltage | V_{DH} | $I_{VDD-HB} = 100\text{mA}$ | - | 0.7 | 0.9 | - | 1 | V |
| Dynamic Resistance | R_D | $I_{VDD-HB} = 100\text{mA}$ | - | 0.8 | 1 | - | 1.5 | Ω |
| LO GATE DRIVER | | | | | | | | |
| Low Level Output Voltage | V_{OLL} | $I_{LO} = 100\text{mA}$ | - | 0.4 | 0.5 | - | 0.7 | V |
| High Level Output Voltage | V_{OHL} | $I_{LO} = -100\text{mA}$, $V_{OHL} = V_{DD} - V_{LO}$ | - | 0.4 | 0.5 | - | 0.7 | V |
| Peak Pull-Up Current | I_{OHL} | $V_{LO} = 0V$ | - | 1.25 | - | - | - | A |
| Peak Pull-Down Current | I_{OLL} | $V_{LO} = 12V$ | - | 1.25 | - | - | - | A |
| HO GATE DRIVER | | | | | | | | |
| Low Level Output Voltage | V_{OLH} | $I_{HO} = 100\text{mA}$ | - | 0.4 | 0.5 | - | 0.7 | V |
| High Level Output Voltage | V_{OHH} | $I_{HO} = -100\text{mA}$, $V_{OHH} = V_{HB} - V_{HO}$ | - | 0.4 | 0.5 | - | 0.7 | V |
| Peak Pull-Up Current | I_{OHH} | $V_{HO} = 0V$ | - | 1.25 | - | - | - | A |
| Peak Pull-Down Current | I_{OLH} | $V_{HO} = 12V$ | - | 1.25 | - | - | - | A |

Switching Specifications $V_{DD} = V_{HB} = 12V$, $V_{SS} = V_{HS} = 0V$, No Load on LO or HO, unless otherwise specified. Parameters with MIN and/or MAX limits are 100% tested at +25°C, unless otherwise specified. Temperature limits at -40°C and +125°C are established by characterization and are not production tested.

| PARAMETERS | SYMBOL | TEST CONDITIONS | $T_J = +25^\circ\text{C}$ | | | $T_J = -40^\circ\text{C to } +125^\circ\text{C}$ | | UNIT |
|---|------------------|------------------------|---------------------------|-----|-----|--|-----|---------------|
| | | | MIN | TYP | MAX | MIN | MAX | |
| Lower Turn-Off Propagation Delay (LI Falling to LO Falling) | t_{LPHL} | | - | 34 | 50 | - | 60 | ns |
| Upper Turn-Off Propagation Delay (HI Falling to HO Falling) | t_{HPHL} | | - | 31 | 50 | - | 60 | ns |
| Lower Turn-On Propagation Delay (LI Rising to LO Rising) | t_{LPLH} | | - | 39 | 50 | - | 60 | ns |
| Upper Turn-On Propagation Delay (HI Rising to HO Rising) | t_{HPLH} | | - | 39 | 50 | - | 60 | ns |
| Delay Matching: Upper Turn-Off to Lower Turn-On | t_{MON} | | 1 | 8 | - | - | 16 | ns |
| Delay Matching: Lower Turn-Off to Upper Turn-On | t_{MOFF} | | 1 | 6 | - | - | 16 | ns |
| Either Output Rise/Fall Time (10% to 90%/90% to 10%) | t_{RC}, t_{FC} | $C_L = 1\text{nF}$ | - | 16 | - | - | - | ns |
| Either Output Rise/Fall Time (3V to 9V/9V to 3V) | t_R, t_F | $C_L = 0.1\mu\text{F}$ | - | 0.8 | 1.0 | - | 1.2 | μs |
| Minimum Input Pulse Width that Changes the Output | t_{PW} | | - | - | - | - | 50 | ns |
| Bootstrap Diode Turn-On or Turn-Off Time | t_{BS} | | - | 10 | - | - | - | ns |

Timing Diagrams

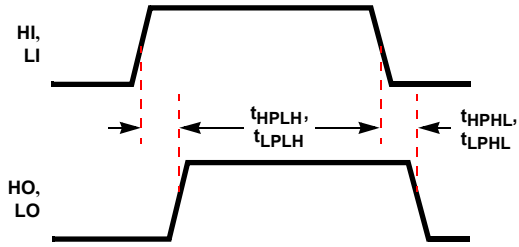


FIGURE 5. PROPAGATION DELAYS

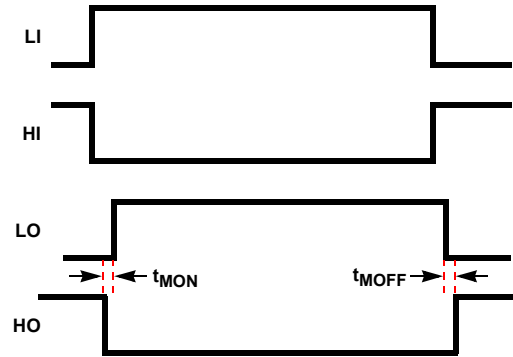


FIGURE 6. DELAY MATCHING

Typical Performance Curves

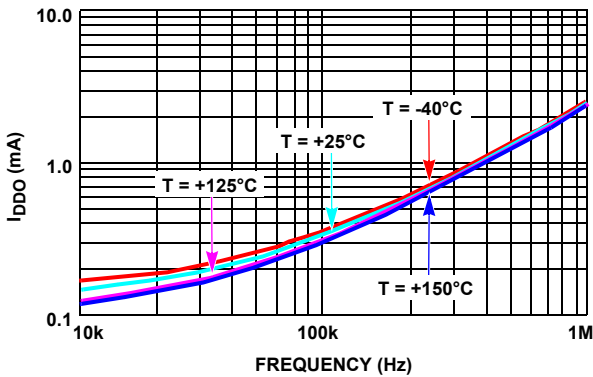


FIGURE 7. ISL89400 I_{DD} OPERATING CURRENT vs FREQUENCY

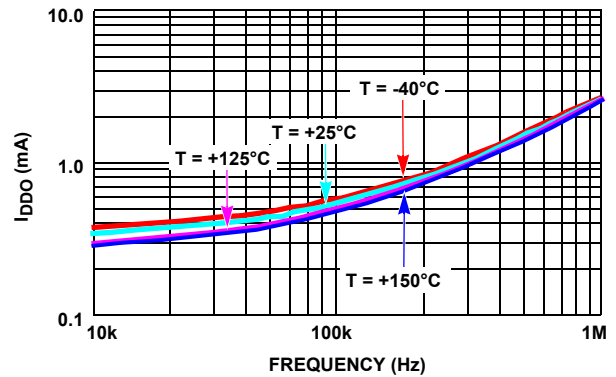


FIGURE 8. ISL89401 I_{DD} OPERATING CURRENT vs FREQUENCY

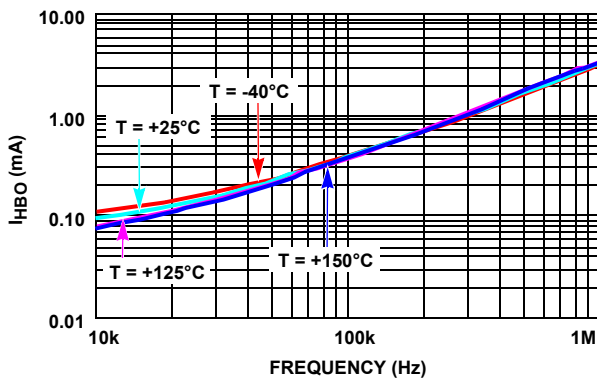


FIGURE 9. I_{HB} OPERATING CURRENT vs FREQUENCY

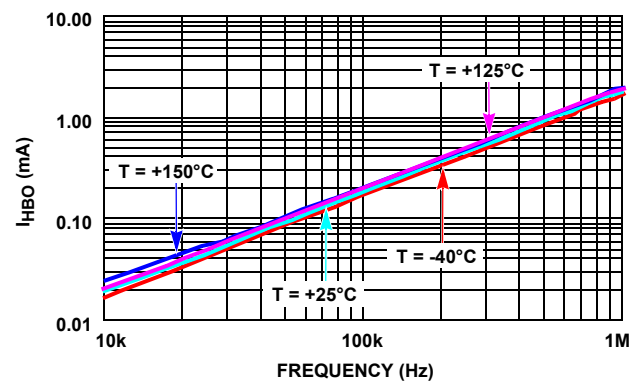


FIGURE 10. I_{HBS} OPERATING CURRENT vs FREQUENCY

Typical Performance Curves (Continued)

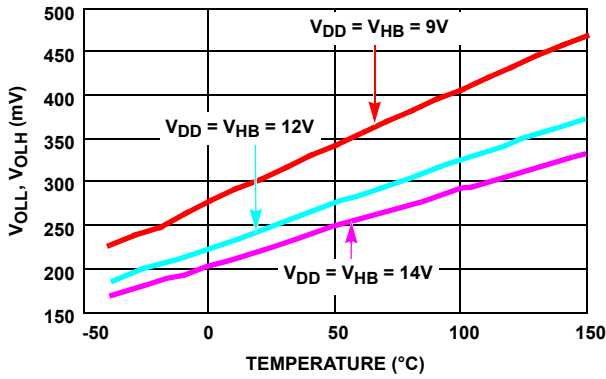


FIGURE 11. HIGH LEVEL OUTPUT VOLTAGE vs TEMPERATURE

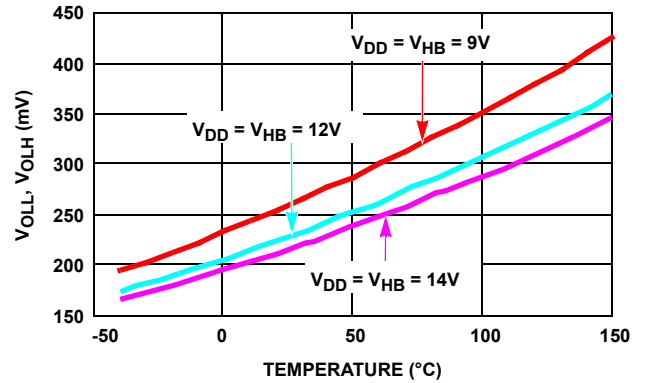


FIGURE 12. LOW LEVEL OUTPUT VOLTAGE vs TEMPERATURE

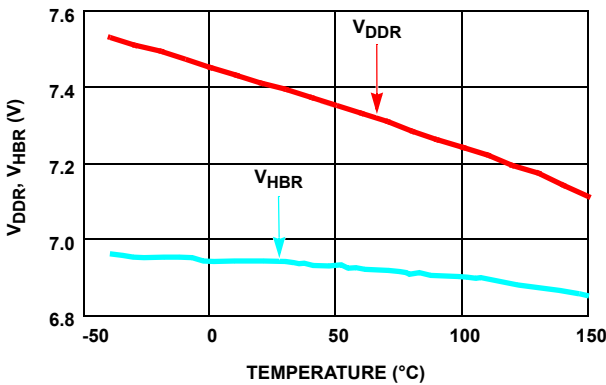


FIGURE 13. UNDERVOLTAGE LOCKOUT THRESHOLD vs TEMPERATURE

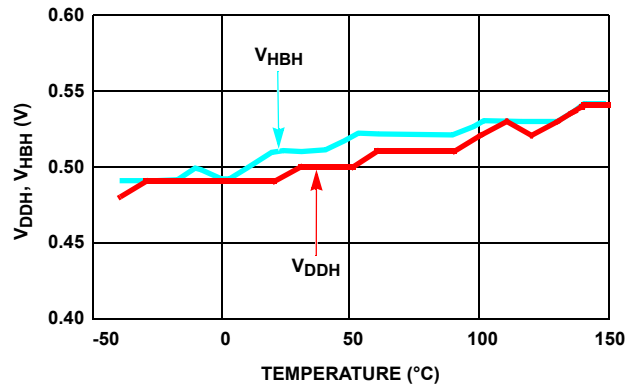


FIGURE 14. UNDERVOLTAGE LOCKOUT HYSTERESIS vs TEMPERATURE

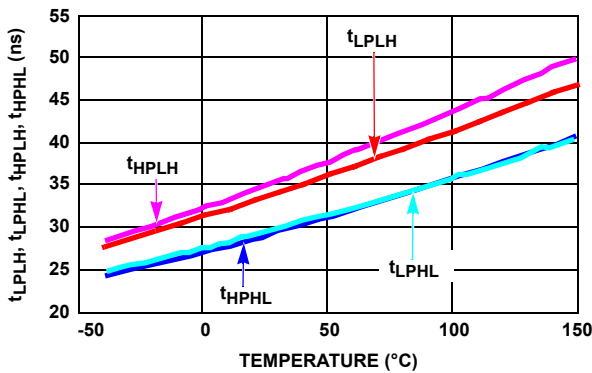


FIGURE 15. ISL89400 PROPAGATION DELAYS vs TEMPERATURE

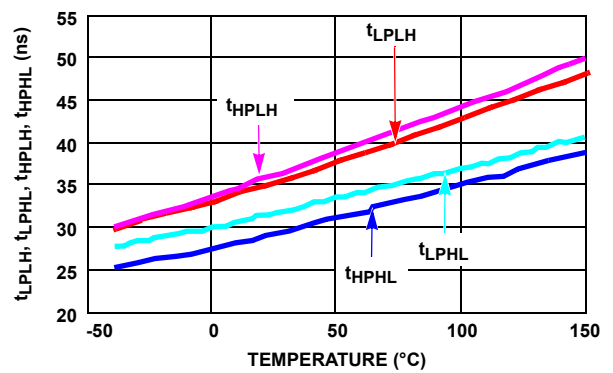


FIGURE 16. ISL89401 PROPAGATION DELAYS vs TEMPERATURE

Typical Performance Curves (Continued)

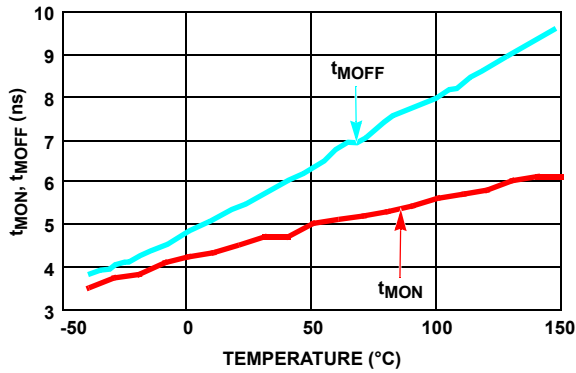


FIGURE 17. ISL89400 DELAY MATCHING vs TEMPERATURE

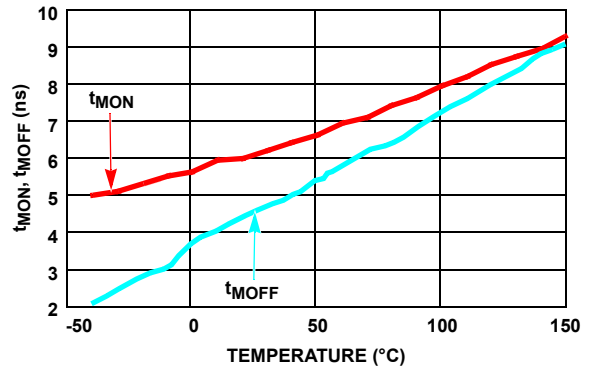


FIGURE 18. ISL89401 DELAY MATCHING vs TEMPERATURE

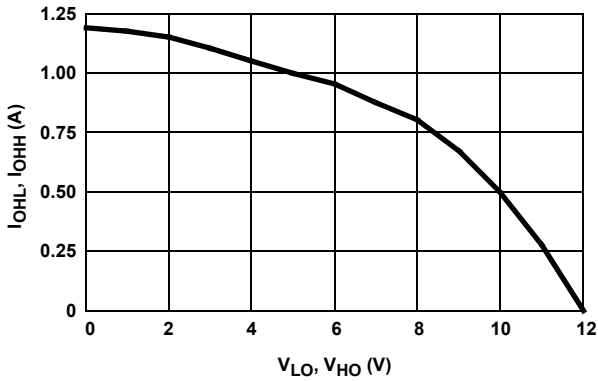


FIGURE 19. PEAK PULL-UP CURRENT vs OUTPUT VOLTAGE

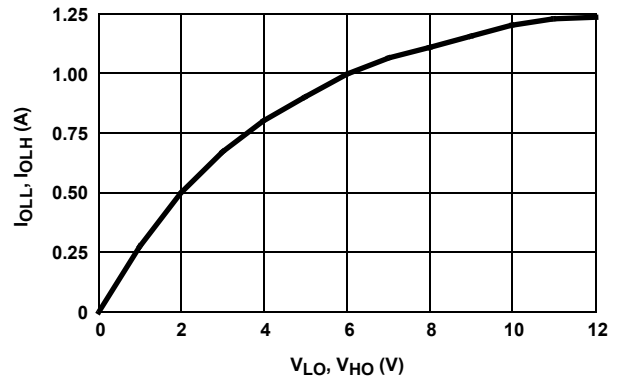


FIGURE 20. PEAK PULL-DOWN CURRENT vs OUTPUT VOLTAGE

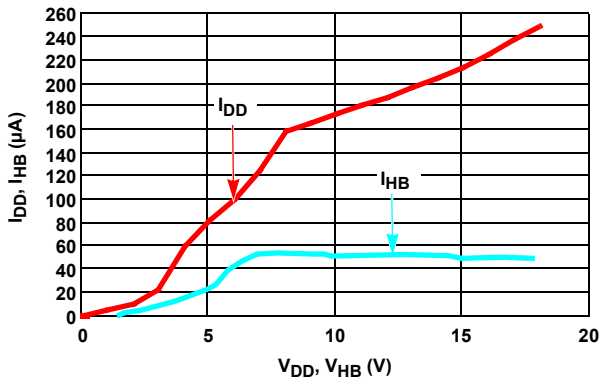


FIGURE 21. ISL89400 QUIESCENT CURRENT vs VOLTAGE

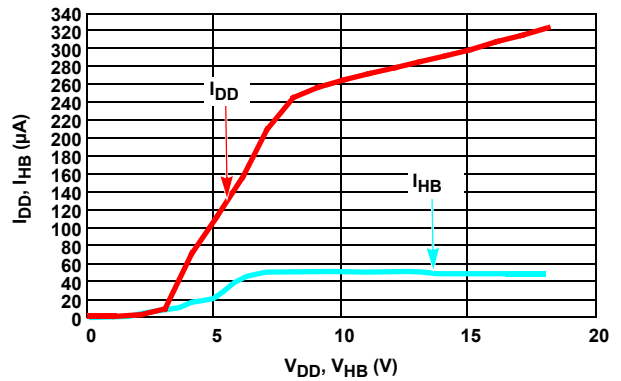


FIGURE 22. ISL89401 QUIESCENT CURRENT vs VOLTAGE

Typical Performance Curves (Continued)

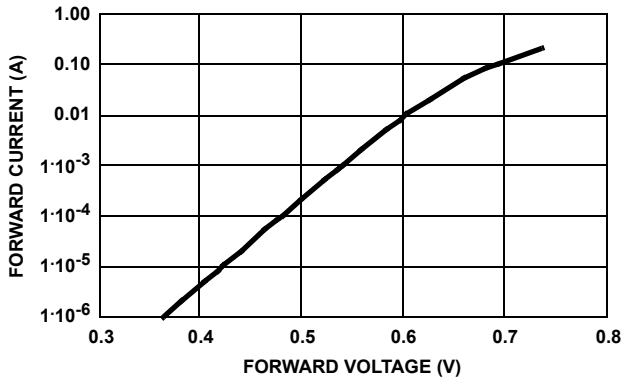


FIGURE 23. BOOTSTRAP DIODE I-V CHARACTERISTICS

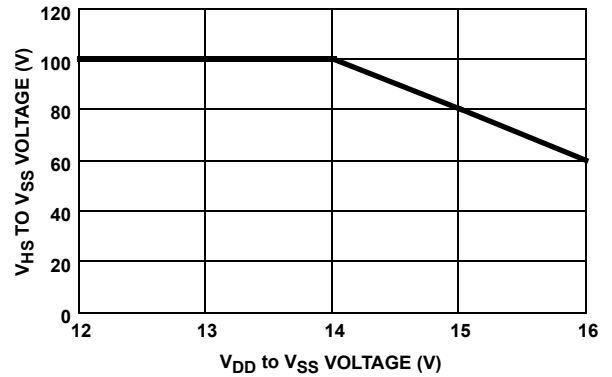


FIGURE 24. V_{HS} VOLTAGE vs V_{DD} VOLTAGE

Revision History

The revision history provided is for informational purposes only and is believed to be accurate, but not warranted. Please go to the web to make sure that you have the latest revision.

| DATE | REVISION | CHANGE |
|------------------|----------|---|
| December 4, 2015 | FN6614.3 | <p>Updated datasheet to the latest Intersil standards.</p> <p>Moved Note 5 from “Absolute Maximum Ratings” section to “Maximum Recommended Operating Conditions” section.</p> <p>Updated Theta JC on page 5 for DFN from “7.5” to “3.5”.</p> <p>Added Theta JC on page 5 for SOIC.</p> <p>Updated Theta JA on page 5 for SOIC from “115” to “107”.</p> <p>Added Note 10 on page 5.</p> <p>Updated last sentence in the “Electrical Specifications” table title area.</p> <p>Added more verbiage to “Switching Specifications” table title area.</p> <p>Added Revision History and About Intersil sections</p> <p>Updated package outline drawings to the latest revisions. Changes are as follows:</p> <p>M8.15</p> <ul style="list-style-type: none"> -Updated to new POD format by removing table and moving dimensions onto drawing and adding land pattern -Changed in Typical Recommended Land Pattern the following: <ul style="list-style-type: none"> 2.41(0.095) to 2.20(0.087) 0.76 (0.030) to 0.60(0.023) 0.200 to 5.20(0.205) -Changed Note 1 “1982” to “1994” <p>L9.3x3</p> <ul style="list-style-type: none"> -Tiebar Note 9 added: Tiebar shown (if present) is a non-functional feature and may be located on any of the 4 sides (or ends). |

About Intersil

Intersil Corporation is a leading provider of innovative power management and precision analog solutions. The company's products address some of the largest markets within the industrial and infrastructure, mobile computing and high-end consumer markets.

For the most updated datasheet, application notes, related documentation and related parts, please see the respective product information page found at www.intersil.com.

You may report errors or suggestions for improving this datasheet by visiting www.intersil.com/ask.

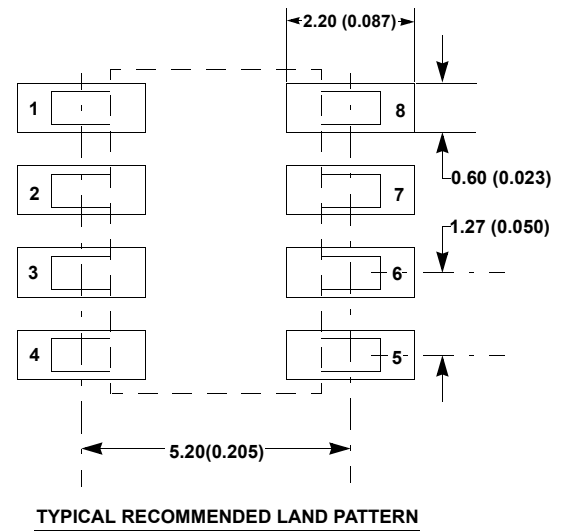
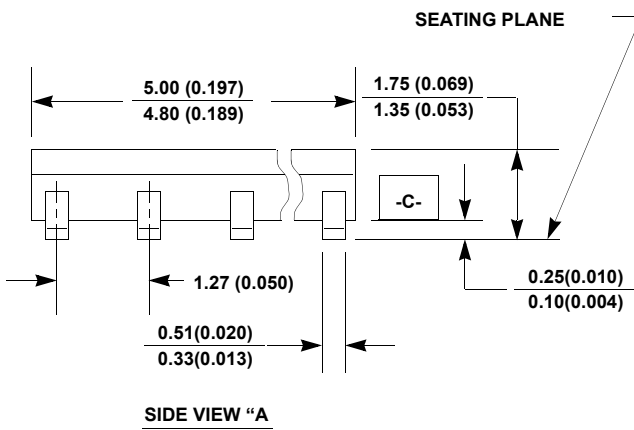
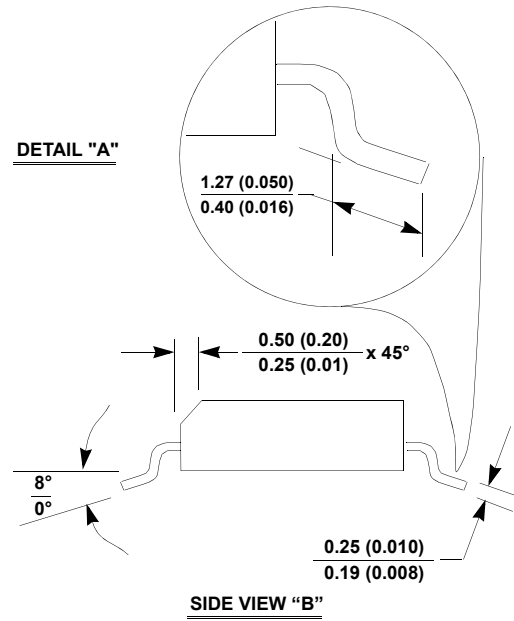
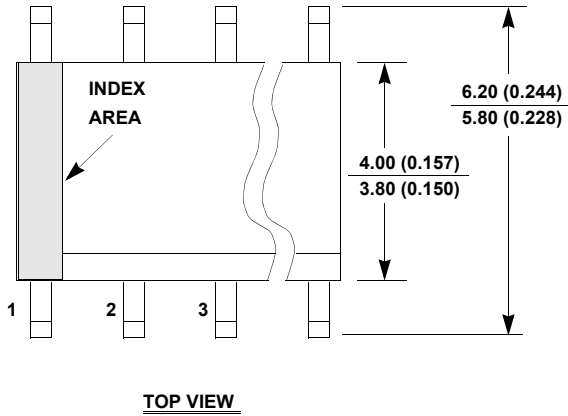
Reliability reports are also available from our website at www.intersil.com/support.

Package Outline Drawing

M8.15

8 LEAD NARROW BODY SMALL OUTLINE PLASTIC PACKAGE

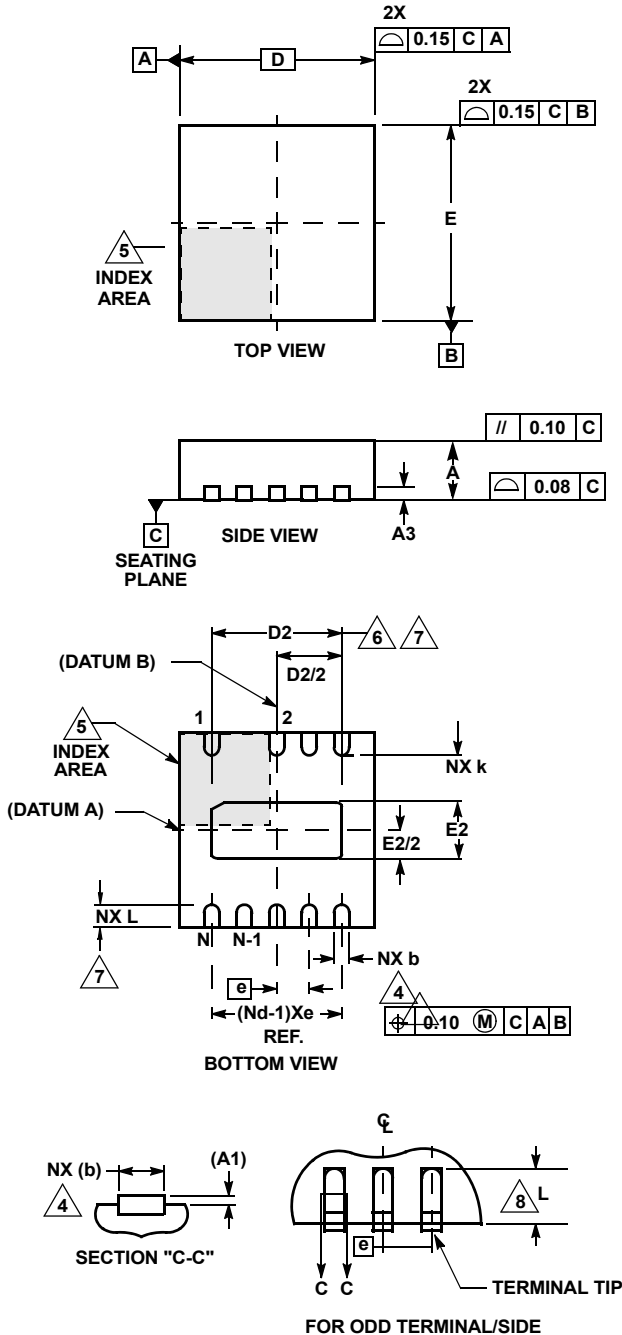
Rev 4, 1/12



NOTES:

1. Dimensioning and tolerancing per ANSI Y14.5M-1994.
2. Package length does not include mold flash, protrusions or gate burrs. Mold flash, protrusion and gate burrs shall not exceed 0.15mm (0.006 inch) per side.
3. Package width does not include interlead flash or protrusions. Interlead flash and protrusions shall not exceed 0.25mm (0.010 inch) per side.
4. The chamfer on the body is optional. If it is not present, a visual index feature must be located within the crosshatched area.
5. Terminal numbers are shown for reference only.
6. The lead width as measured 0.36mm (0.014 inch) or greater above the seating plane, shall not exceed a maximum value of 0.61mm (0.024 inch).
7. Controlling dimension: MILLIMETER. Converted inch dimensions are not necessarily exact.
8. This outline conforms to JEDEC publication MS-012-AA ISSUE C.

Dual Flat No-Lead Plastic Package (DFN)



L9.3x3

9 LEAD DUAL FLAT NO-LEAD PLASTIC PACKAGE

| SYMBOL | MILLIMETERS | | | NOTES |
|--------|-------------|---------|------|-------|
| | MIN | NOMINAL | MAX | |
| A | 0.80 | 0.90 | 1.00 | - |
| A1 | - | - | 0.05 | - |
| A3 | 0.20 REF | | | - |
| b | 0.20 | 0.25 | 0.30 | 4, 7 |
| D | 3.00 BSC | | | - |
| D2 | 1.85 | 2.00 | 2.10 | 6, 7 |
| E | 3.00 BSC | | | - |
| E2 | 0.80 | 0.95 | 1.05 | 6, 7 |
| e | 0.50 BSC | | | - |
| k | 0.60 | - | - | - |
| L | 0.25 | 0.35 | 0.45 | 7 |
| N | 9 | | | 2 |

Rev. 1 3/15

NOTES:

1. Dimensioning and tolerancing conform to ASME Y14.5-1994.
2. N is the number of terminals.
3. All dimensions are in millimeters. Angles are in degrees.
4. Dimension b applies to the metallized terminal and is measured between 0.15mm and 0.30mm from the terminal tip.
5. The configuration of the pin #1 identifier is optional, but must be located within the zone indicated. The pin #1 identifier may be either a mold or mark feature.
6. Dimensions D2 and E2 are for the exposed pads which provide improved electrical and thermal performance.
7. Nominal dimensions are provided to assist with PCB Land Pattern Design efforts, see Intersil Technical Brief TB389.
8. Compliant to JEDEC MO-229-WEED-3 except for dimensions E2 & D2.
9. Tiebar shown (if present) is a non-functional feature and may be located on any of the 4 sides (or ends).

© Copyright Intersil Americas LLC 2007-2015. All Rights Reserved.

All trademarks and registered trademarks are the property of their respective owners.

For additional products, see www.intersil.com/en/products.html

Intersil products are manufactured, assembled and tested utilizing ISO9001 quality systems as noted in the quality certifications found at www.intersil.com/en/support/qualandreliability.html

Intersil products are sold by description only. Intersil may modify the circuit design and/or specifications of products at any time without notice, provided that such modification does not, in Intersil's sole judgment, affect the form, fit or function of the product. Accordingly, the reader is cautioned to verify that datasheets are current before placing orders. Information furnished by Intersil is believed to be accurate and reliable. However, no responsibility is assumed by Intersil or its subsidiaries for its use; nor for any infringements of patents or other rights of third parties which may result from its use. No license is granted by implication or otherwise under any patent or patent rights of Intersil or its subsidiaries.

For information regarding Intersil Corporation and its products, see www.intersil.com