



Is Now Part of



**ON Semiconductor®**

To learn more about ON Semiconductor, please visit our website at  
[www.onsemi.com](http://www.onsemi.com)

Please note: As part of the Fairchild Semiconductor integration, some of the Fairchild orderable part numbers will need to change in order to meet ON Semiconductor's system requirements. Since the ON Semiconductor product management systems do not have the ability to manage part nomenclature that utilizes an underscore (\_), the underscore (\_) in the Fairchild part numbers will be changed to a dash (-). This document may contain device numbers with an underscore (\_). Please check the ON Semiconductor website to verify the updated device numbers. The most current and up-to-date ordering information can be found at [www.onsemi.com](http://www.onsemi.com). Please email any questions regarding the system integration to [Fairchild\\_questions@onsemi.com](mailto:Fairchild_questions@onsemi.com).

ON Semiconductor and the ON Semiconductor logo are trademarks of Semiconductor Components Industries, LLC dba ON Semiconductor or its subsidiaries in the United States and/or other countries. ON Semiconductor owns the rights to a number of patents, trademarks, copyrights, trade secrets, and other intellectual property. A listing of ON Semiconductor's product/patent coverage may be accessed at [www.onsemi.com/site/pdf/Patent-Marking.pdf](http://www.onsemi.com/site/pdf/Patent-Marking.pdf). ON Semiconductor reserves the right to make changes without further notice to any products herein. ON Semiconductor makes no warranty, representation or guarantee regarding the suitability of its products for any particular purpose, nor does ON Semiconductor assume any liability arising out of the application or use of any product or circuit, and specifically disclaims any and all liability, including without limitation special, consequential or incidental damages. Buyer is responsible for its products and applications using ON Semiconductor products, including compliance with all laws, regulations and safety requirements or standards, regardless of any support or applications information provided by ON Semiconductor. "Typical" parameters which may be provided in ON Semiconductor data sheets and/or specifications can and do vary in different applications and actual performance may vary over time. All operating parameters, including "Typicals" must be validated for each customer application by customer's technical experts. ON Semiconductor does not convey any license under its patent rights nor the rights of others. ON Semiconductor products are not designed, intended, or authorized for use as a critical component in life support systems or any FDA Class 3 medical devices or medical devices with a same or similar classification in a foreign jurisdiction or any devices intended for implantation in the human body. Should Buyer purchase or use ON Semiconductor products for any such unintended or unauthorized application, Buyer shall indemnify and hold ON Semiconductor and its officers, employees, subsidiaries, affiliates, and distributors harmless against all claims, costs, damages, and expenses, and reasonable attorney fees arising out of, directly or indirectly, any claim of personal injury or death associated with such unintended or unauthorized use, even if such claim alleges that ON Semiconductor was negligent regarding the design or manufacture of the part. ON Semiconductor is an Equal Opportunity/Affirmative Action Employer. This literature is subject to all applicable copyright laws and is not for resale in any manner.



# FL3100T

## Low-Side Gate Driver with LED PWM Dimming Control for Smart LED Lighting

### Features

- Non-inverting Input Logic with DIM Control Input for PWM Dimming Down to 0.1% for Hybrid Dimming
- 4.5 to 18 V Operating Range
- TTL Inputs Independent of Supply Voltage
- 2.5 A Sink / 1.8 A Source at  $V_{OUT} = 6 V$
- Internal Resistors Turn Driver Off If No Inputs
- 13 ns Typical Rise Time and 9 ns Typical Fall-Time with 1 nF Load
- MillerDrive™ Technology
- Typical Propagation Delay Time Under 20 ns with Input Falling or Rising
- 6-Lead, 2 x 2 mm MLP or 5-Pin, SOT23 Packages
- Rated from -40°C to 125°C Ambient

### Applications

- Smart LED Drivers with Accurate PWM Dimming
- General LED Lighting

### Description

The FL3100T 2 A gate driver is designed to drive an N-channel enhancement-mode MOSFET in low-side switching applications by providing high peak current pulses during the short switching intervals. The FL3100T has two inputs that can be configured to operate in non-inverting (IN) mode with a DIM pin for PWM dimming control of the LED Driver. High accuracy PWM dimming control required in smart LED drivers is possible by adjusting the duty ratio of the DIM input. If one or both inputs are left unconnected, internal resistors bias the inputs such that the output is pulled LOW to hold the power MOSFET off.

The driver is available with fixed TTL input thresholds. Internal circuitry provides an under-voltage lockout function by holding the output LOW until the supply voltage is within operating range. The FL3100T delivers fast MOSFET switching performance, which helps maximize efficiency in high-frequency LED driver designs.

The FL3100T is available in a 5-pin, SOT23 or a 2 x 2 mm, 6-lead, Molded Leadless Package (MLP) for the smallest size with excellent thermal performance.

### Typical Application Circuit

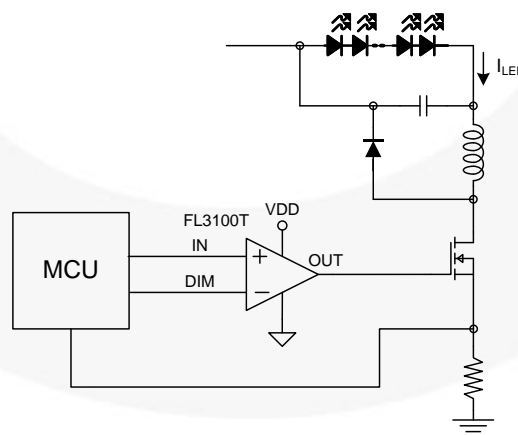


Figure 1. LED PWM Dimming Application Circuit for Smart LED Lighting

### Ordering Information

| Part Number | Package              | Packing Method | Quantity / Reel |
|-------------|----------------------|----------------|-----------------|
| FL3100TMPX  | 6-Lead, 2 x 2 mm MLP | Tape & Reel    | 3000            |
| FL3100TSX   | 5-Pin, SOT23         | Tape & Reel    | 3000            |

### Block Diagrams

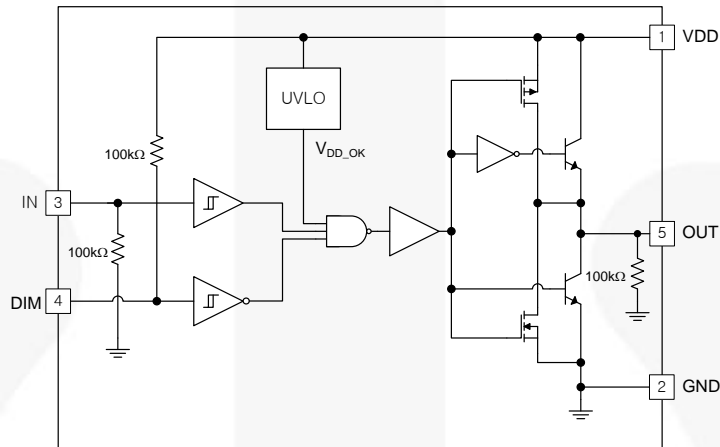


Figure 2. Simplified Block Diagram (SOT23 Pin-out)

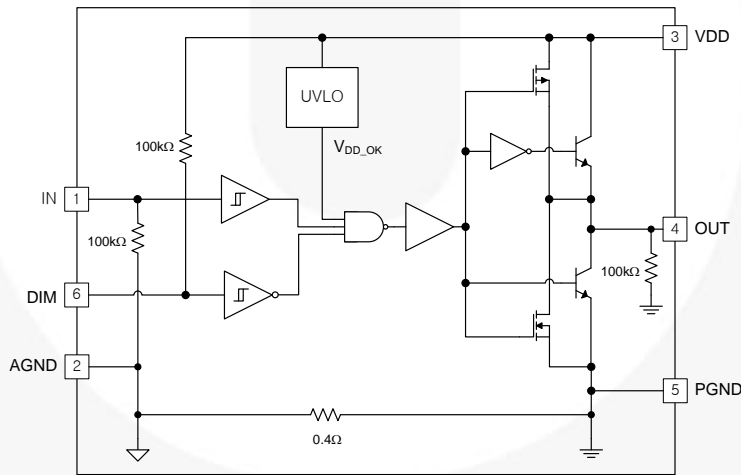


Figure 3. Simplified Block Diagram (MLP Pin-out)

## Functional Pin Configurations

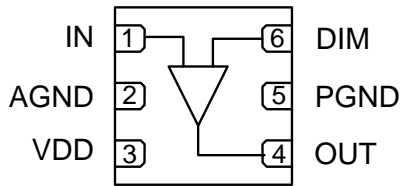


Figure 4. 6-Lead MLP (Top View)

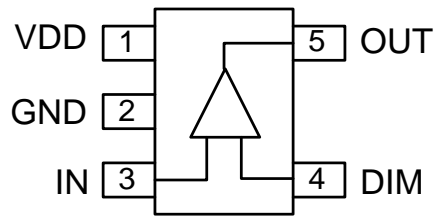


Figure 5. SOT23-5 (Top View)

## Pin Definitions

| SOT23 Pin # | MLP Pin # | Name | Pin Description                                                                                                                                  |
|-------------|-----------|------|--------------------------------------------------------------------------------------------------------------------------------------------------|
| 1           | 3         | VDD  | Supply Voltage. Provides power to the IC.                                                                                                        |
|             | 2         | AGND | Analog ground for input signals (MLP only). Connect to PGND underneath the IC.                                                                   |
| 2           |           | GND  | Ground (SOT-23 only). Common ground reference for input and output circuits.                                                                     |
| 3           | 1         | IN   | Input. Non-inverting logic. If IN is not used, connect to VDD to enable regular operation of the output.                                         |
| 4           | 6         | DIM  | Dimming Input. Used for PWM dimming. Inverting logic. If dimming is not used, connect to AGND or PGND to enable regular operation of the output. |
| 5           | 4         | OUT  | Gate Drive Output: Held low unless required inputs are present and VDD is above UVLO threshold.                                                  |
|             | Pad       | P1   | Thermal Pad (MLP only). Exposed metal on the bottom of the package, which is electrically connected to pin 5.                                    |
|             | 5         | PGND | Power Ground (MLP only). For output drive circuit; separates switching noise from inputs.                                                        |

## Output Logic

| IN               | DIM              | OUT |
|------------------|------------------|-----|
| 0 <sup>(1)</sup> | 0                | 0   |
| 0 <sup>(1)</sup> | 1 <sup>(1)</sup> | 0   |
| 1                | 0                | 1   |
| 1                | 1 <sup>(1)</sup> | 0   |

**Note:**

1. Default input signal if no external connection is made.

## Thermal Characteristics<sup>(2)</sup>

| Package                                        | $\Theta_{JL}$ <sup>(3)</sup> | $\Theta_{JT}$ <sup>(4)</sup> | $\Theta_{JA}$ <sup>(5)</sup> | Unit |
|------------------------------------------------|------------------------------|------------------------------|------------------------------|------|
| 6-Lead, 2 x 2 mm Molded Leadless Package (MLP) | 2.7                          | 133.0                        | 58.0                         | °C/W |
| SOT23-5                                        | 56                           | 99                           | 157                          | °C/W |

### Notes:

- Estimates derived from thermal simulation; actual values depend on the application.
- Theta\_JL ( $\Theta_{JL}$ ): Thermal resistance between the semiconductor junction and the bottom surface of all the leads (including any thermal pad) that are typically soldered to a PCB.
- Theta\_JT ( $\Theta_{JT}$ ): Thermal resistance between the semiconductor junction and the top surface of the package, assuming it is held at a uniform temperature by a top-side heatsink.
- Theta\_JA ( $\Theta_{JA}$ ): Thermal resistance between junction and ambient, dependent on the PCB design, heat sinking, and airflow. The value given is for natural convection with no heatsink using a 2SP2 board, as specified in JEDEC standards JESD51-2, JESD51-5, and JESD51-7, as appropriate.

## Absolute Maximum Ratings

Stresses exceeding the absolute maximum ratings may damage the device. The device may not function or be operable above the recommended operating conditions and stressing the parts to these levels is not recommended. In addition, extended exposure to stresses above the recommended operating conditions may affect device reliability. The absolute maximum ratings are stress ratings only.

| Symbol           | Parameter                                   | Min.      | Max.                  | Unit |
|------------------|---------------------------------------------|-----------|-----------------------|------|
| V <sub>DD</sub>  | VDD to PGND                                 | -0.3      | 20.0                  | V    |
| V <sub>IN</sub>  | Voltage on IN and DIM to GND, AGND, or PGND | GND - 0.3 | V <sub>DD</sub> + 0.3 | V    |
| V <sub>OUT</sub> | Voltage on OUT to GND, AGND, or PGND        | GND - 0.3 | V <sub>DD</sub> + 0.3 | V    |
| T <sub>L</sub>   | Lead Soldering Temperature (10 Seconds)     |           | +260                  | °C   |
| T <sub>J</sub>   | Junction Temperature                        | -55       | +150                  | °C   |
| T <sub>STG</sub> | Storage Temperature                         | -65       | +150                  | °C   |

## Recommended Operating Conditions

The Recommended Operating Conditions table defines the conditions for actual device operation. Recommended operating conditions are specified to ensure optimal performance to the datasheet specifications. Fairchild does not recommend exceeding them or designing to Absolute Maximum Ratings.

| Symbol          | Parameter                     | Min. | Max.            | Unit |
|-----------------|-------------------------------|------|-----------------|------|
| V <sub>DD</sub> | Supply Voltage Range          | 4.5  | 18.0            | V    |
| V <sub>IN</sub> | Input Voltage IN, DIM         | 0    | V <sub>DD</sub> | V    |
| T <sub>A</sub>  | Operating Ambient Temperature | -40  | +125            | °C   |

## Electrical Characteristics

Unless otherwise noted,  $V_{DD} = 12\text{ V}$ ,  $T_J = -40^\circ\text{C}$  to  $+125^\circ\text{C}$ . Currents are defined as positive into the device and negative out of the device.

| Symbol           | Parameter                                         | Conditions                                                                 | Min. | Typ. | Max. | Unit          |
|------------------|---------------------------------------------------|----------------------------------------------------------------------------|------|------|------|---------------|
| <b>Supply</b>    |                                                   |                                                                            |      |      |      |               |
| $V_{DD}$         | Operating Range                                   |                                                                            | 4.5  |      | 18.0 | V             |
| $I_{DD}$         | Supply Current Inputs/<br>EN Not Connected        |                                                                            |      | 0.50 | 0.80 | mA            |
| $V_{ON}$         | Turn-On Voltage                                   |                                                                            | 3.5  | 3.9  | 4.3  | V             |
| $V_{OFF}$        | Turn-Off Voltage                                  |                                                                            | 3.3  | 3.7  | 4.1  | V             |
| <b>Inputs</b>    |                                                   |                                                                            |      |      |      |               |
| $V_{IN\_T}$      | IN, DIM Logic LOW Voltage, Maximum                |                                                                            | 0.8  |      |      | V             |
| $V_{IN\_H\_T}$   | IN, DIM Logic HIGH Voltage, Minimum               |                                                                            |      |      | 2.0  | V             |
| $I_{IN}$         | Non-inverting Input                               | IN from 0 to $V_{DD}$                                                      | -1   |      | 175  | $\mu\text{A}$ |
| $I_{DIMim}$      | DIM Input                                         | IN from 0 to $V_{DD}$                                                      | -175 |      | 1    | $\mu\text{A}$ |
| $V_{HYS}$        | IN, DIM Logic Hysteresis Voltage                  |                                                                            | 0.2  | 0.4  | 0.8  | V             |
| <b>Output</b>    |                                                   |                                                                            |      |      |      |               |
| $I_{SINK}$       | OUT Current, Mid-Voltage, Sinking <sup>(6)</sup>  | OUT at $V_{DD}/2$ ,<br>$C_{LOAD} = 0.1\ \mu\text{F}$ , $f = 1\ \text{kHz}$ |      | 2.5  |      | A             |
| $I_{SOURCE}$     | OUT Current, Mid-Voltage, Sourcing <sup>(6)</sup> | OUT at $V_{DD}/2$ ,<br>$C_{LOAD} = 0.1\ \mu\text{F}$ , $f = 1\ \text{kHz}$ |      | -1.8 |      | A             |
| $I_{PK\_SINK}$   | OUT Current, Peak, Sinking <sup>(6)</sup>         | $C_{LOAD} = 0.1\ \mu\text{F}$ , $f = 1\ \text{kHz}$                        |      | 3    |      | A             |
| $I_{PK\_SOURCE}$ | OUT Current, Peak, Sourcing <sup>(6)</sup>        | $C_{LOAD} = 0.1\ \mu\text{F}$ , $f = 1\ \text{kHz}$                        |      | -3   |      | A             |
| $t_{RISE}$       | Output Rise Time <sup>(7)</sup>                   | $C_{LOAD} = 1000\ \text{pF}$                                               |      | 13   | 20   | ns            |
| $t_{FALL}$       | Output Fall Time <sup>(7)</sup>                   | $C_{LOAD} = 1000\ \text{pF}$                                               |      | 9    | 14   | ns            |
| $t_{D1}, t_{D2}$ | Output Prop. Delay, TTL Inputs <sup>(7)</sup>     | $0 - 5\ V_{IN}$ ; 1 V/ns Slew Rate                                         | 9    | 16   | 30   | ns            |
| $I_{RVS}$        | Output Reverse Current Withstand <sup>(6)</sup>   |                                                                            |      | 500  |      | mA            |

**Notes:**

- 6. Not tested in production.
- 7. See *Timing Diagrams of Figure 6 and Figure 7.*

Timing Diagrams

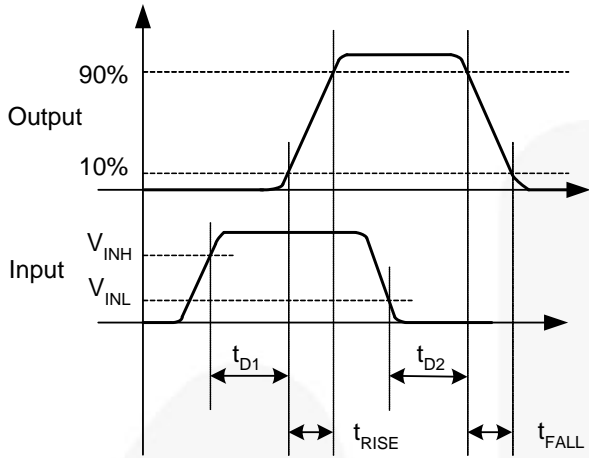


Figure 6. IN Pin

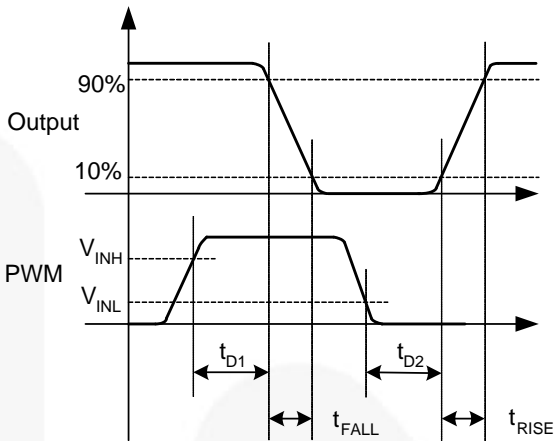


Figure 7. DIM Pin

## Typical Performance Characteristics

Typical characteristics are provided at 25°C and  $V_{DD}=12\text{ V}$  unless otherwise noted.

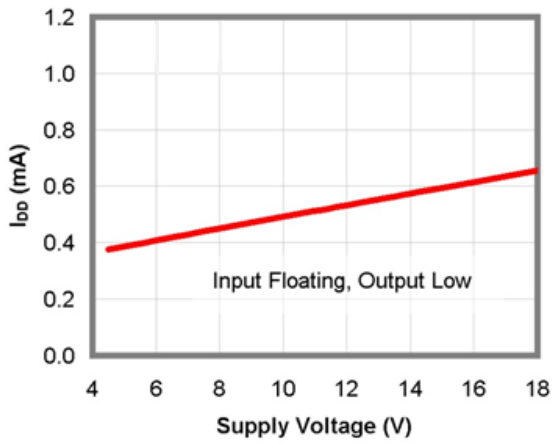


Figure 8.  $I_{DD}$  (Static) vs. Supply Voltage

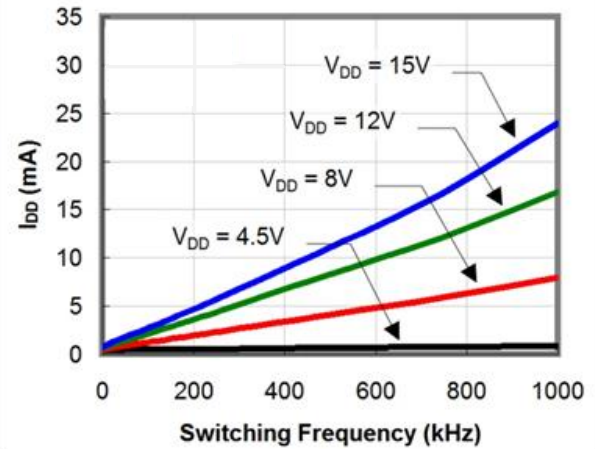


Figure 9.  $I_{DD}$  (No-Load) vs. Frequency

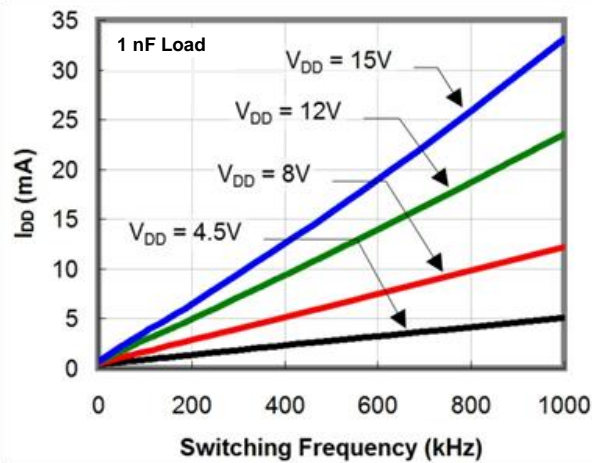


Figure 10.  $I_{DD}$  (1 nF Load) vs. Frequency

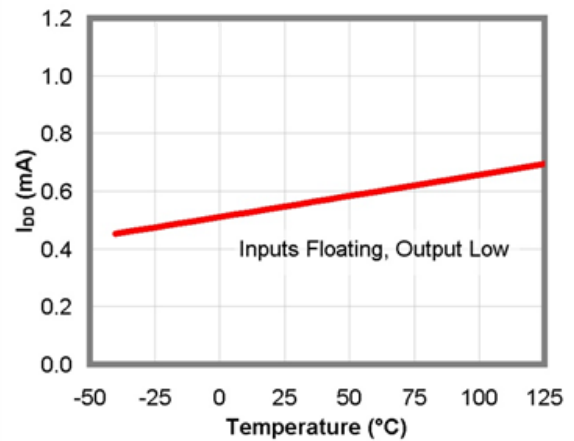


Figure 11.  $I_{DD}$  (Static) vs. Temperature

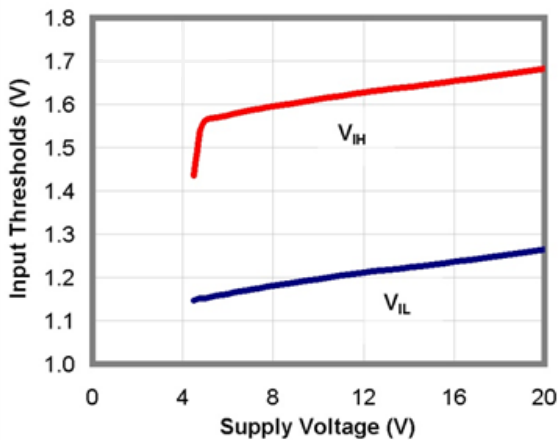


Figure 12. Input Thresholds vs. Supply Voltage

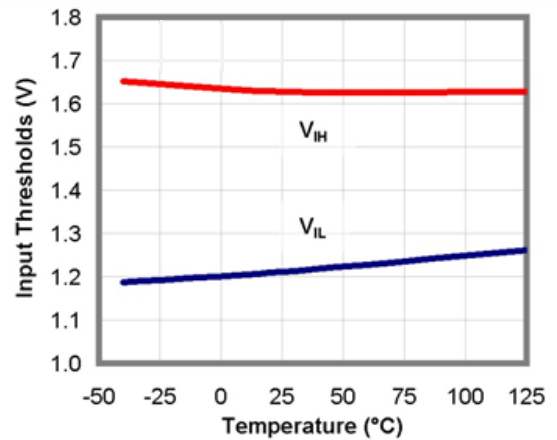


Figure 13. TTL Input Thresholds vs. Temperature



## Typical Performance Characteristics

Typical characteristics are provided at 25°C and  $V_{DD}=12\text{ V}$  unless otherwise noted.

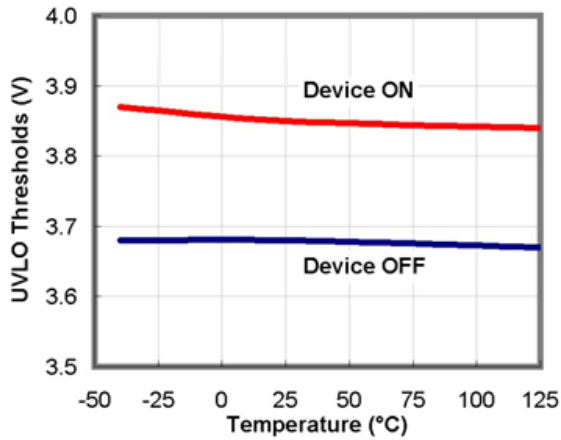


Figure 14. UVLO Thresholds vs. Temperature

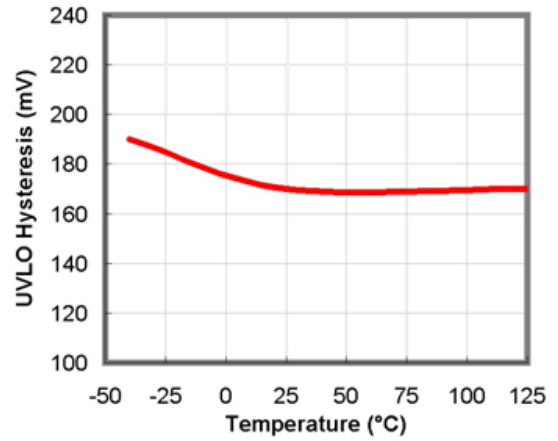


Figure 15. UVLO Hysteresis vs. Temperature

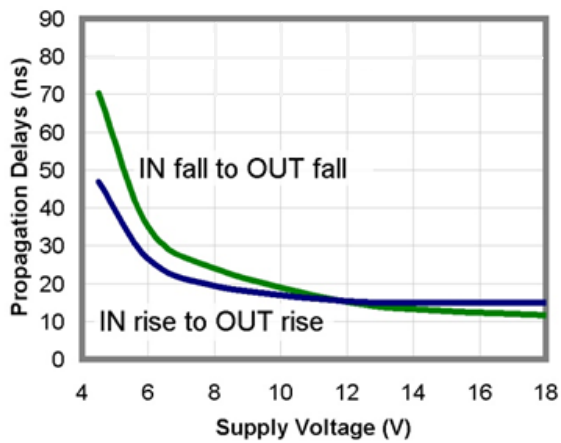


Figure 16. Propagation Delay vs. Supply Voltage

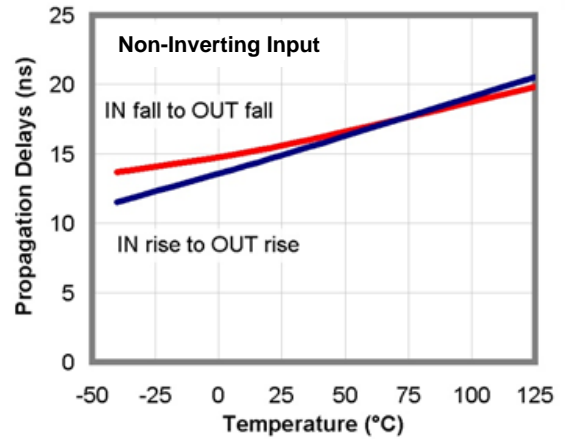


Figure 17. Propagation Delay vs. Temperature

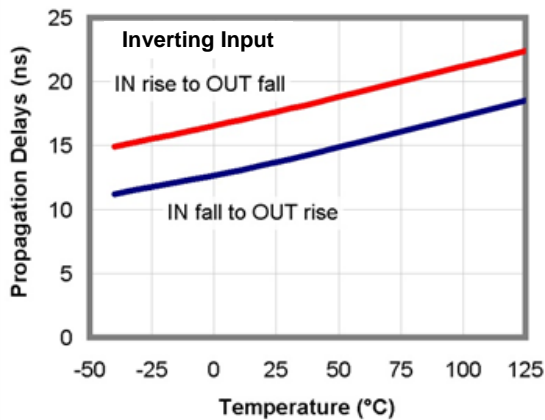


Figure 18. Propagation Delay vs. Temperature

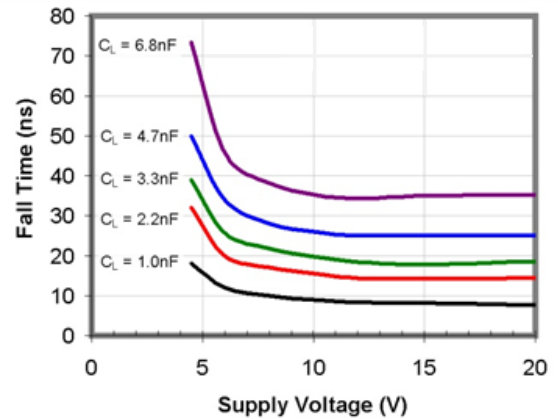


Figure 19. Fall Time vs. Supply Voltage

## Typical Performance Characteristics

Typical characteristics are provided at 25°C and  $V_{DD}=12\text{ V}$  unless otherwise noted.

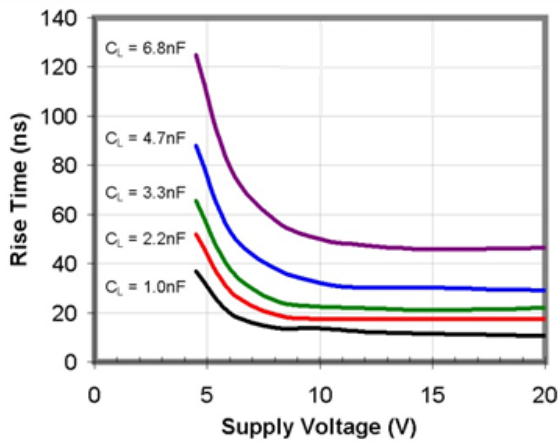


Figure 20. Rise Time vs. Supply Voltage

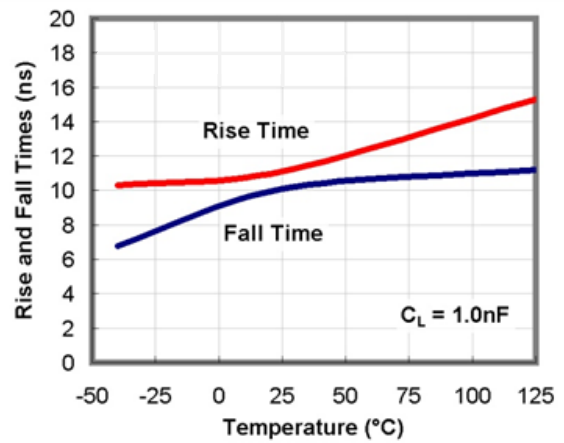


Figure 21. Rise and Fall Time vs. Temperature

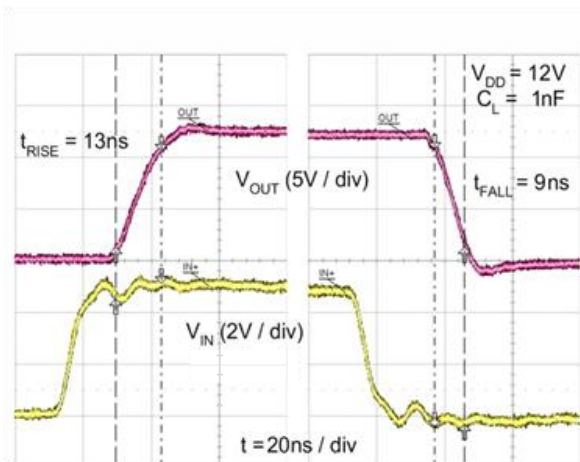


Figure 22. Rise / Fall Waveforms with 1 nF Load

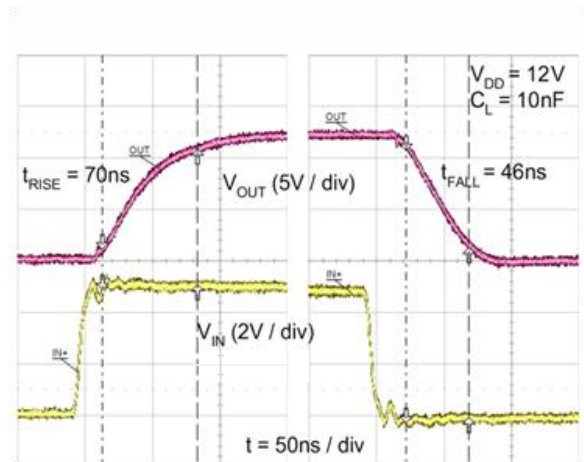


Figure 23. Rise / Fall Waveforms with 10 nF Load

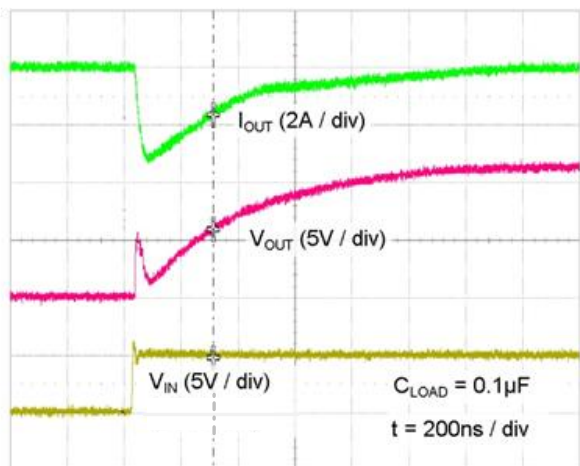


Figure 24. Quasi-Static Source Current with  $V_{DD}=12\text{ V}$

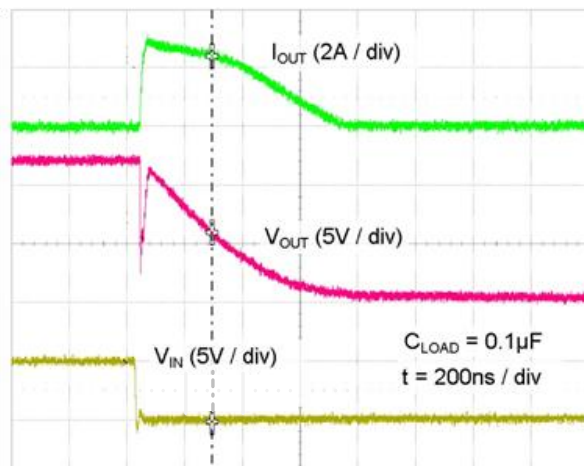


Figure 25. Quasi-Static Sink Current with  $V_{DD}=12\text{ V}$

## Typical Performance Characteristics

Typical characteristics are provided at 25°C and  $V_{DD}=12$  V unless otherwise noted.

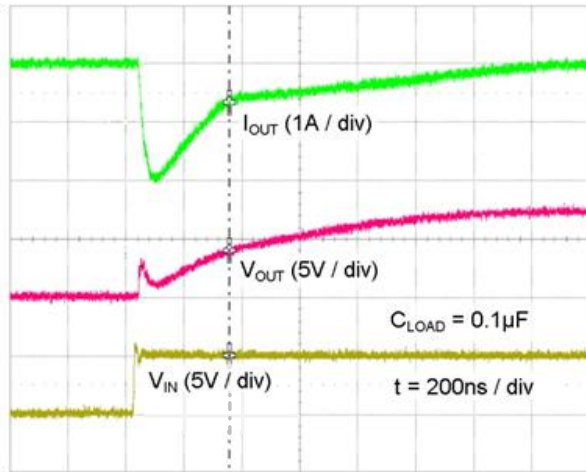


Figure 26. Quasi-Static Source Current with  $V_{DD}=8$  V

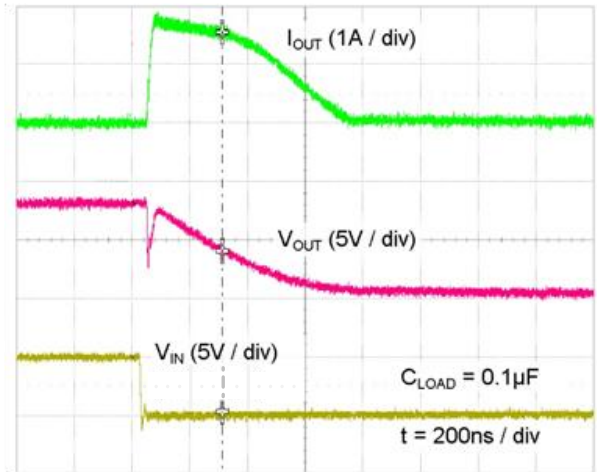


Figure 27. Quasi-Static Sink Current with  $V_{DD}=8$  V

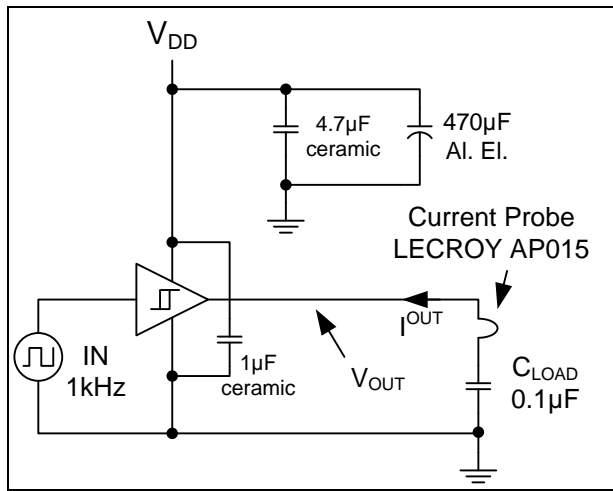


Figure 28. Quasi-Static  $I_{OUT}$  /  $V_{OUT}$  Test Circuit

## Applications Information

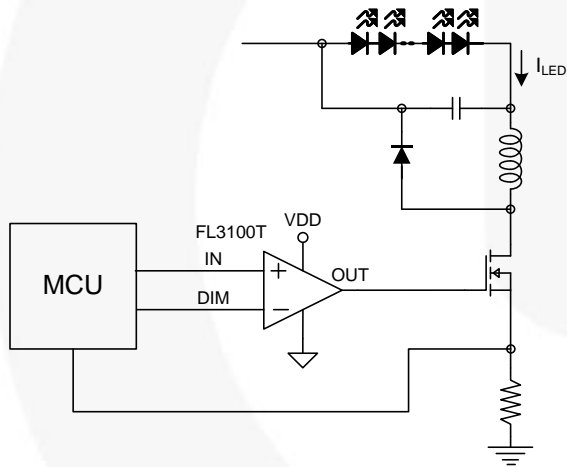
### PWM Dimming

FL3100T is used for pulse-width modulation of the LED current to control the amount of light produced by the LED in MCU-driven hybrid dimming applications.

There are two factors to consider,  $PWM_{amplitude}$  controls the LED light output by reducing the forward current in the LED and  $PWM_{light}$  controls the on time of forward current in the LED.

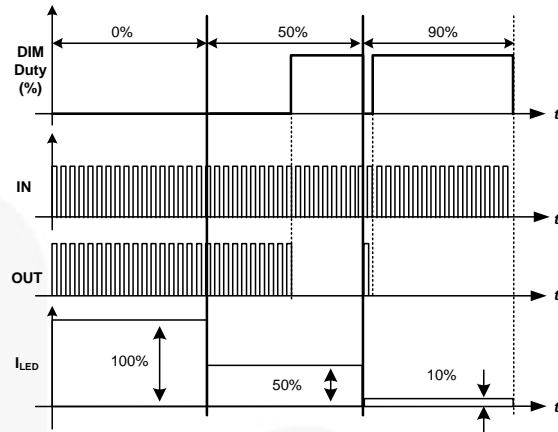
In the typical application circuit, Figure 1 and repeated here Figure 29, IN is connected to the  $PWM_{amplitude}$  signal coming out of the MCU to control the amplitude of the overall LED current. This  $PWM_{amplitude}$  signal from the MCU is the same PWM signal based on the switching frequency of the power stage and error signal in a closed loop LED driver stage.

DIM is connected to a different PWM signal, also from the MCU, but is usually a lower frequency signal to command the  $PWM_{light}$  dimming on the LED current, i.e. ~1 kHz and can be commanded from a wired or wireless interface such as DALI or ZigBee. Therefore, mixed mode dimming using both amplitude and PWM dimming on the LED current is possible.



**Figure 29. LED PWM Dimming Application**

During amplitude dimming ( $PWM_{amplitude}$ ), DIM stays low and there is no  $PWM_{light}$  dimming. When  $PWM_{light}$  dimming becomes active, e.g. below 20% of amplitude ( $PWM_{amplitude}$ ) dimming, then amplitude dimming is held constant and  $PWM_{light}$  dimming is used to reduce the light output down to ~0.1% accurately. Figure 30 shows a possible implementation for mixed mode dimming.



**Figure 30. LED Current with PWM Dimming**

### Input Thresholds

In the FL3100T, the input thresholds meet industry-standard TTL logic thresholds, independent of the  $V_{DD}$  voltage, and there is a hysteresis voltage of approximately 0.4 V. These levels permit the inputs to be driven from a range of input logic signal levels for which a voltage over 2 V is considered logic HIGH. The driving signal for the TTL inputs should have fast rising and falling edges with a slew rate of 6 V/ $\mu$ s or faster, so the rise time from 0 to 3.3 V should be 550 ns or less. With reduced slew rate, circuit noise could cause the driver input voltage to exceed the hysteresis voltage and retrigger the driver input, causing erratic operation.

### Static Supply Current

In the  $I_{DD}$  (static) typical performance graphs (Figure 8, and Figure 11), the curve is produced with all inputs floating (OUT is LOW) and indicates the lowest static  $I_{DD}$  current for the tested configuration. For other states, additional current flows through the 100 k $\Omega$  resistors on the inputs and outputs shown in the block diagrams (see Figure 2 - Figure 3). In these cases, the actual static  $I_{DD}$  current is the value obtained from the curves plus this additional current.

### Under-Voltage Lockout (UVLO)

The FL3100T startup logic is optimized to drive ground referenced N-channel MOSFETs with an Under-Voltage Lockout (UVLO) function to ensure that the IC starts up in an orderly fashion. When  $V_{DD}$  is rising, yet below the 3.9 V operational level, this circuit holds the output LOW, regardless of the status of the input pins. After the part is active, the supply voltage must drop 0.2 V before the part shuts down. This hysteresis helps prevent chatter when low  $V_{DD}$  supply voltages have noise from the power switching. This configuration is not suitable for driving high-side P-channel MOSFETs because the low output voltage of the driver would turn the P-channel MOSFET on with  $V_{DD}$  below 3.9 V.

## VDD Bypass Capacitor Guidelines

To enable this IC to turn a power device on quickly, a local, high-frequency, bypass capacitor  $C_{BYP}$  with low ESR and ESL should be connected between the VDD and GND pins with minimal trace length. This capacitor is in addition to bulk electrolytic capacitance of 10  $\mu\text{F}$  to 47  $\mu\text{F}$  often found on driver and controller bias circuits.

A typical criterion for choosing the value of  $C_{BYP}$  is to keep the ripple voltage on the  $V_{DD}$  supply  $\leq 5\%$ . Often this is achieved with a value  $\geq 20$  times the equivalent load capacitance  $C_{EQV}$ , defined here as  $Q_{gate}/V_{DD}$ . Ceramic capacitors of 0.1  $\mu\text{F}$  to 1  $\mu\text{F}$  or larger are common choices, as are dielectrics, such as X5R and X7R, which have good temperature characteristics and high pulse current capability.

If circuit noise affects normal operation, the value of  $C_{BYP}$  may be increased to 50-100 times the  $C_{EQV}$ , or  $C_{BYP}$  may be split into two capacitors. One should be a larger value, based on equivalent load capacitance, and the other a smaller value, such as 1-10 nF, mounted closest to the VDD and GND pins to carry the higher-frequency components of the current pulses.

## MillerDrive™ Gate Drive Technology

FL3100T drivers incorporate the MillerDrive™ architecture shown in Figure 31 for the output stage, a combination of bipolar and MOS devices capable of providing large currents over a wide range of supply voltage and temperature variations. The bipolar devices carry the bulk of the current as OUT swings between 1/3 to 2/3  $V_{DD}$  and the MOS devices pull the output to the high or low rail.

The purpose of the MillerDrive™ architecture is to speed up switching by providing the highest current during the Miller plateau region when the gate-drain capacitance of the MOSFET is being charged or discharged as part of the turn-on / turn-off process.

The output pin slew rate is determined by  $V_{DD}$  voltage and the load on the output. It is not user adjustable, but if a slower rise or fall time at the MOSFET gate is needed, a series resistor can be added.

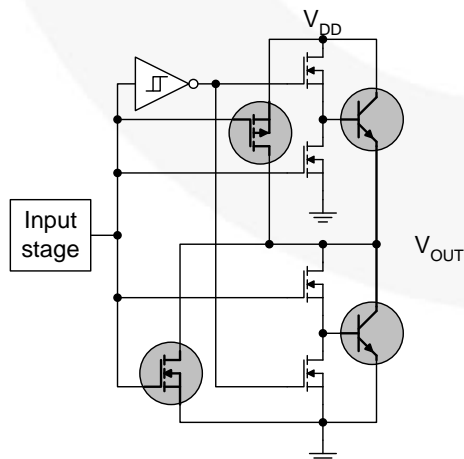


Figure 31. MillerDrive™ Output Architecture

## Layout and Connection Guidelines

The FL3100T incorporates fast-reacting input circuits, short propagation delays, and powerful output stages capable of delivering current peaks over 2 A to facilitate voltage transition times from under 10 ns to over 100 ns. The following layout and connection guidelines are strongly recommended:

- Keep high-current output and power ground paths separate from logic input signals and signal ground paths. This is especially critical when dealing with TTL-level logic thresholds.
- Keep the driver as close to the load as possible to minimize the length of high-current traces. This reduces the series inductance to improve high-speed switching, while reducing the loop area that can radiate EMI to the driver inputs and other surrounding circuitry.
- The FL3100T is available in two packages with slightly different pinouts, offering similar performance. In the 6-pin MLP package, Pin 2 is internally connected to the input analog ground and should be connected to power ground, Pin 5, through a short direct path underneath the IC. In the 5-pin SOT23, the internal analog and power ground connections are made through separate, individual bond wires to Pin 2, which should be used as the common ground point for power and control signals.
- Many high-speed power circuits can be susceptible to noise injected from their own output or other external sources, possibly causing output re-triggering. These effects can be especially obvious if the circuit is tested in breadboard or non-optimal circuit layouts with long input, enable, or output leads. For best results, make connections to all pins as short and direct as possible.
- The turn-on and turn-off current paths should be minimized as discussed in the following sections.

Figure 32 shows the pulsed gate drive current path when the gate driver is supplying gate charge to turn the MOSFET on. The current is supplied from the local bypass capacitor,  $C_{BYP}$ , and flows through the driver to the MOSFET gate and to ground. To reach the high peak currents possible, the resistance and inductance in the path should be minimized. The localized  $C_{BYP}$  acts to contain the high peak current pulses within this driver-MOSFET circuit, preventing them from disturbing the sensitive analog circuitry in the PWM controller.

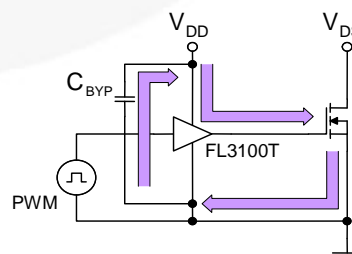
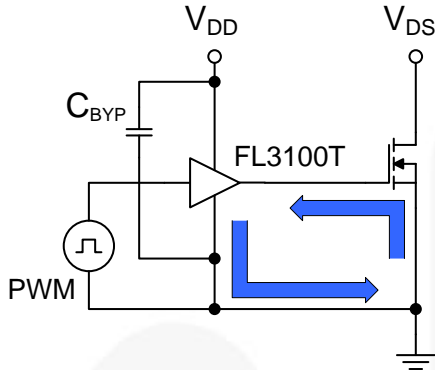


Figure 32. Current Path for MOSFET Turn-On

Figure 33 shows the current path when the gate driver turns the MOSFET off. Ideally, the driver shunts the current directly to the source of the MOSFET in a small circuit loop. For fast turn-off times, the resistance and inductance in this path should be minimized.



**Figure 33. Current Path for MOSFET Turn-Off**

**Table 1. Truth Table of Logic Operation**

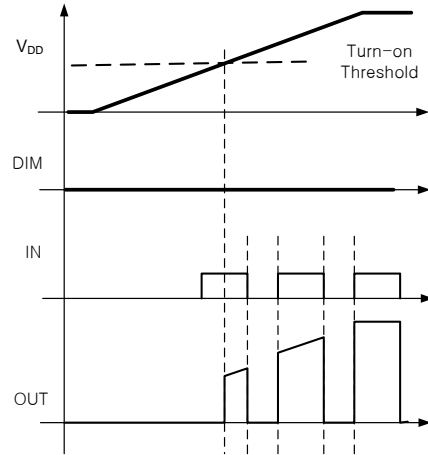
The truth table indicates the operational states using the IN and DIM pins.

| IN | DIM | OUT |
|----|-----|-----|
| 0  | 0   | 0   |
| 0  | 1   | 0   |
| 1  | 0   | 1   |
| 1  | 1   | 0   |

If the DIM pin is connected to logic HIGH, a disable function is realized, and the driver output remains LOW regardless of the state of the IN pin. Likewise, if the IN pin is connected to logic LOW, a disable function is realized, and the driver output remains LOW regardless of the state of the DIM pin.

### Operational Waveforms

At power up, the driver output remains LOW until the  $V_{DD}$  voltage reaches the turn-on threshold. The magnitude of the OUT pulses rises with  $V_{DD}$  until steady-state  $V_{DD}$  is reached. The non-inverting operation illustrated in Figure 34 shows that the output remains LOW until the UVLO threshold is reached, and then the output is in-phase with the input.



**Figure 34. IN Startup Waveforms**

### Thermal Guidelines

Gate drivers used to switch MOSFETs and IGBTs at high frequencies can dissipate significant amounts of power. It is important to determine the driver power dissipation and the resulting junction temperature in the application to ensure that the part is operating within acceptable temperature limits.

The total power dissipation in a gate driver is the sum of two components;  $P_{GATE}$  and  $P_{DYNAMIC}$ :

$$P_{TOTAL} = P_{GATE} + P_{DYNAMIC} \quad (1)$$

**Gate Driving Loss:** The most significant power loss results from supplying gate current (charge per unit time) to switch the load MOSFET on and off at the switching frequency. The power dissipation that results from driving a MOSFET at a specified gate-source voltage,  $V_{GS}$ , with gate charge,  $Q_G$ , at switching frequency,  $f_{SW}$ , is determined by:

$$P_{GATE} = Q_G \cdot V_{GS} \cdot f_{SW} \quad (2)$$

**Dynamic Pre-drive / Shoot-through Current:** A power loss resulting from internal current consumption under dynamic operating conditions, including pin pull-up / pull-down resistors, can be obtained using the  $I_{DD}$  (no-Load) vs. Frequency graphs in Typical Performance Characteristics to determine the current  $I_{DYNAMIC}$  drawn from  $V_{DD}$  under actual operating conditions:

$$P_{DYNAMIC} = I_{DYNAMIC} \cdot V_{DD} \quad (3)$$

Once the power dissipated in the driver is determined, the driver junction rise with respect to circuit board can be evaluated using the following thermal equation, assuming  $\Psi_{JB}$  was determined for a similar thermal design (heat sinking and air flow):

$$T_J = P_{TOTAL} \cdot \Psi_{JB} + T_B \quad (4)$$

where:

$T_J$  = driver junction temperature

$\Psi_{JB}$  = (psi) thermal characterization parameter relating temperature rise to total power dissipation

$T_B$  = board temperature in location defined in the Thermal Characteristics table.

In a typical MOSFET gate drive application, the FDS2672 would be a potential MOSFET selection. The typical gate charge would be 32 nC with  $V_{GS} = V_{DD} = 10$  V. Using a TTL input driver at a switching frequency of 500 kHz, the total power dissipation can be calculated as:

$$P_{GATE} = 32 \text{ nC} \cdot 10 \text{ V} \cdot 500 \text{ kHz} = 0.160 \text{ W} \quad (5)$$

$$P_{DYNAMIC} = 8 \text{ mA} \cdot 10 \text{ V} = 0.080 \text{ W} \quad (6)$$

$$P_{TOTAL} = 0.24 \text{ W} \quad (7)$$

The 5-pin SOT23 has a junction-to-lead thermal characterization parameter  $\Psi_{JB} = 51^\circ\text{C/W}$ .

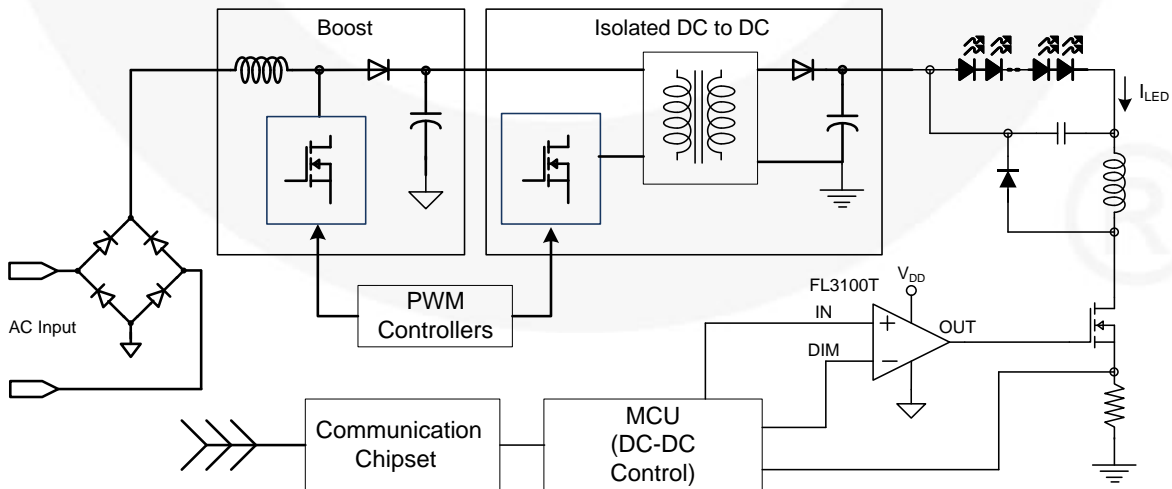
In a system application, the localized temperature around the device is a function of the layout and construction of the PCB along with airflow across the surfaces. To ensure reliable operation, the maximum junction temperature of the device must be prevented from exceeding the maximum rating of  $150^\circ\text{C}$ ; with 80% derating,  $T_J$  would be limited to  $120^\circ\text{C}$ . Rearranging Equation (4) determines the board temperature required to maintain the junction temperature below  $120^\circ\text{C}$ :

$$T_{B,MAX} = T_J - P_{TOTAL} \cdot \Psi_{JB} \quad (8)$$

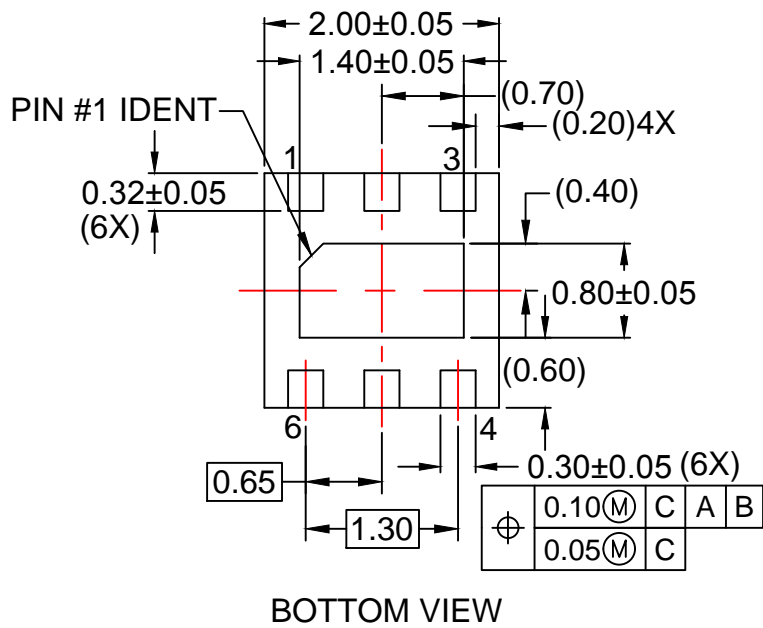
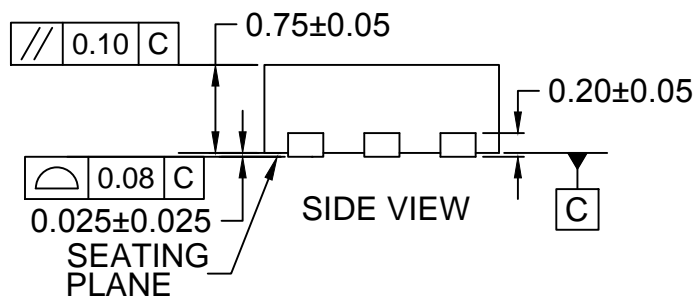
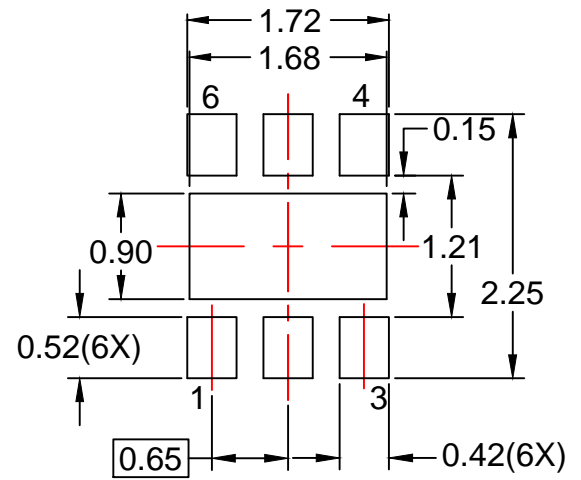
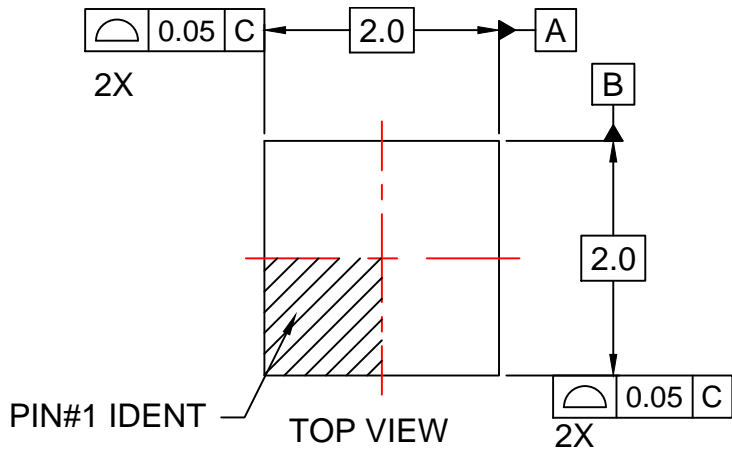
$$T_{B,MAX} = 120^\circ\text{C} - 0.24\text{W} \cdot 51^\circ\text{C/W} = 108^\circ\text{C} \quad (9)$$

For comparison purposes, replace the 5-pin SOT23 used in the previous example with the 6-pin MLP package with  $\Psi_{JB} = 2.8^\circ\text{C/W}$ . The 6-pin MLP package can operate at a PCB temperature of  $119^\circ\text{C}$ , while maintaining the junction temperature below  $120^\circ\text{C}$ . This illustrates that the physically smaller MLP package with thermal pad offers a more conductive path to remove the heat from the driver. Consider the tradeoffs between reducing overall circuit size with junction temperature reduction for increased reliability.

### Typical Application Diagram



**Figure 35. Smart LED Driver using the MCU and FL3100T in the Buck DC-DC Stage**

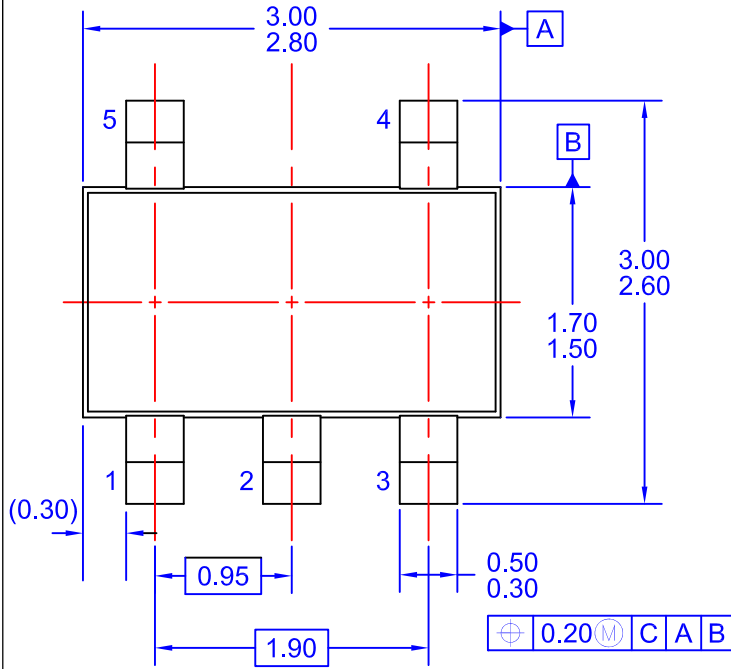


NOTES:

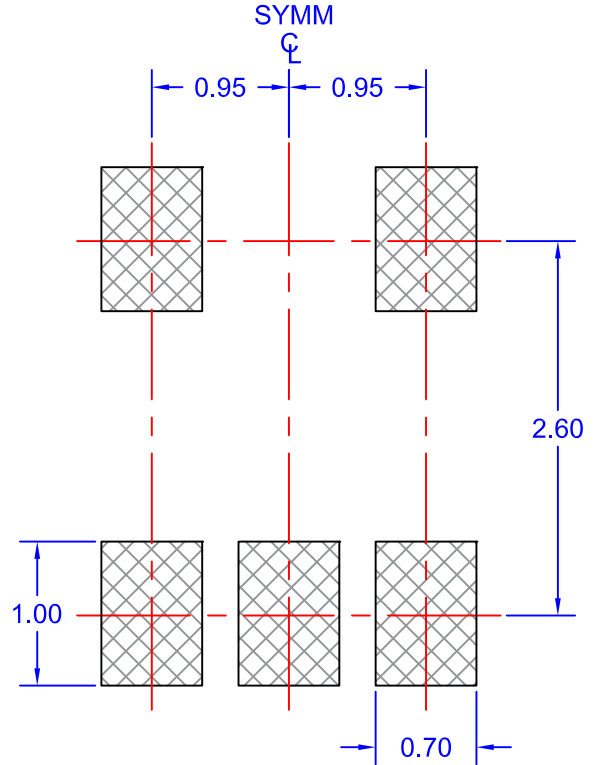
- A. PACKAGE DOES NOT FULLY CONFORM TO JEDEC MO-229 REGISTRATION
- B. DIMENSIONS ARE IN MILLIMETERS.
- C. DIMENSIONS AND TOLERANCES PER ASME Y14.5M, 2009.
- D. LAND PATTERN RECOMMENDATION IS EXISTING INDUSTRY LAND PATTERN.
- E. DRAWING FILENAME: MKT-MLP06Krev5.



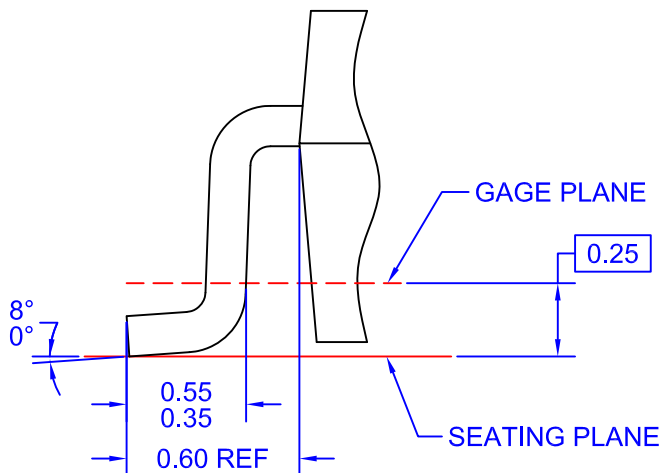
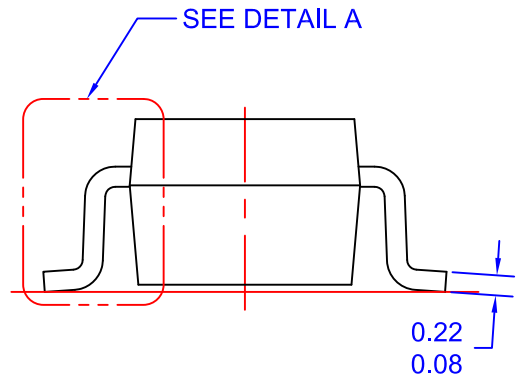
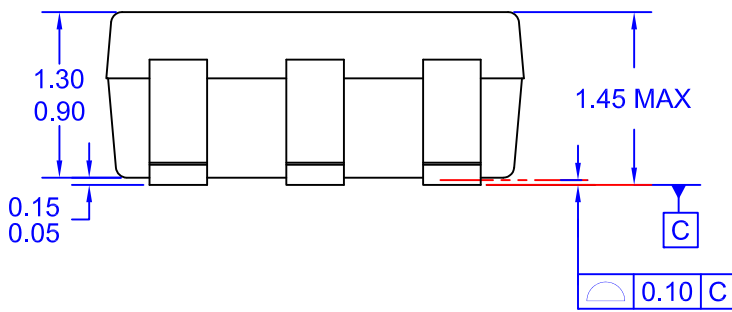




TOP VIEW



LAND PATTERN RECOMMENDATION



- NOTES: UNLESS OTHERWISE SPECIFIED
- A) PACKAGE STANDARD REFERENCE: JEDEC REGISTRATION, MO-178, ISSUE B, VARIATION AA.
  - B) ALL DIMENSIONS ARE IN MILLIMETERS.
  - C) DIMENSIONS DO NOT INCLUDE BURRS OR MOLD FLASH. MOLD FLASH OR BURRS DOES NOT EXCEED 0.10MM.
  - D) DIMENSIONING AND TOLERANCING PER ASME Y14.5M-2009.
  - E) DRAWING FILE NAME: MKT-MA05BREV6



ON Semiconductor and  are trademarks of Semiconductor Components Industries, LLC dba ON Semiconductor or its subsidiaries in the United States and/or other countries. ON Semiconductor owns the rights to a number of patents, trademarks, copyrights, trade secrets, and other intellectual property. A listing of ON Semiconductor's product/patent coverage may be accessed at [www.onsemi.com/site/pdf/Patent-Marking.pdf](http://www.onsemi.com/site/pdf/Patent-Marking.pdf). ON Semiconductor reserves the right to make changes without further notice to any products herein. ON Semiconductor makes no warranty, representation or guarantee regarding the suitability of its products for any particular purpose, nor does ON Semiconductor assume any liability arising out of the application or use of any product or circuit, and specifically disclaims any and all liability, including without limitation special, consequential or incidental damages. Buyer is responsible for its products and applications using ON Semiconductor products, including compliance with all laws, regulations and safety requirements or standards, regardless of any support or applications information provided by ON Semiconductor. "Typical" parameters which may be provided in ON Semiconductor data sheets and/or specifications can and do vary in different applications and actual performance may vary over time. All operating parameters, including "Typicals" must be validated for each customer application by customer's technical experts. ON Semiconductor does not convey any license under its patent rights nor the rights of others. ON Semiconductor products are not designed, intended, or authorized for use as a critical component in life support systems or any FDA Class 3 medical devices or medical devices with a same or similar classification in a foreign jurisdiction or any devices intended for implantation in the human body. Should Buyer purchase or use ON Semiconductor products for any such unintended or unauthorized application, Buyer shall indemnify and hold ON Semiconductor and its officers, employees, subsidiaries, affiliates, and distributors harmless against all claims, costs, damages, and expenses, and reasonable attorney fees arising out of, directly or indirectly, any claim of personal injury or death associated with such unintended or unauthorized use, even if such claim alleges that ON Semiconductor was negligent regarding the design or manufacture of the part. ON Semiconductor is an Equal Opportunity/Affirmative Action Employer. This literature is subject to all applicable copyright laws and is not for resale in any manner.

## PUBLICATION ORDERING INFORMATION

### LITERATURE FULFILLMENT:

Literature Distribution Center for ON Semiconductor  
19521 E. 32nd Pkwy, Aurora, Colorado 80011 USA  
**Phone:** 303-675-2175 or 800-344-3860 Toll Free USA/Canada  
**Fax:** 303-675-2176 or 800-344-3867 Toll Free USA/Canada  
**Email:** [orderlit@onsemi.com](mailto:orderlit@onsemi.com)

**N. American Technical Support:** 800-282-9855 Toll Free  
USA/Canada  
**Europe, Middle East and Africa Technical Support:**  
Phone: 421 33 790 2910  
**Japan Customer Focus Center**  
Phone: 81-3-5817-1050

**ON Semiconductor Website:** [www.onsemi.com](http://www.onsemi.com)  
**Order Literature:** <http://www.onsemi.com/orderlit>  
For additional information, please contact your local  
Sales Representative