
Quad 1.2A Peak Low-Side MOSFET Drivers

Features

- Reliable, Low-Power Bipolar/CMOS/DMOS Construction
- Latch-Up Protected to >500 mA Reverse Current
- Logic Input withstands Swing to -5V
- High 3A Peak Output Current
- Wide 4.5V to 18V Operating Range
- Symmetrical Rise and Fall Times
- Short <40 ns Typical Delay Time
- TTL Logic Input Independent of Supply Voltage
- Low Equivalent 6 pF Input Capacitance
- Low 5Ω Typical Output Impedance
- Output Voltage Swings within 25 mV of Ground or V_S .

Applications

- General-Purpose CMOS Logic Buffer
- Driving All 4 MOSFETs in an H-Bridge
- Direct Small Motor Driver
- Relay or Peripheral Drivers
- Dual Differential Output Power Drivers
- CCD Driver
- Pin Switching Network Driver

General Description

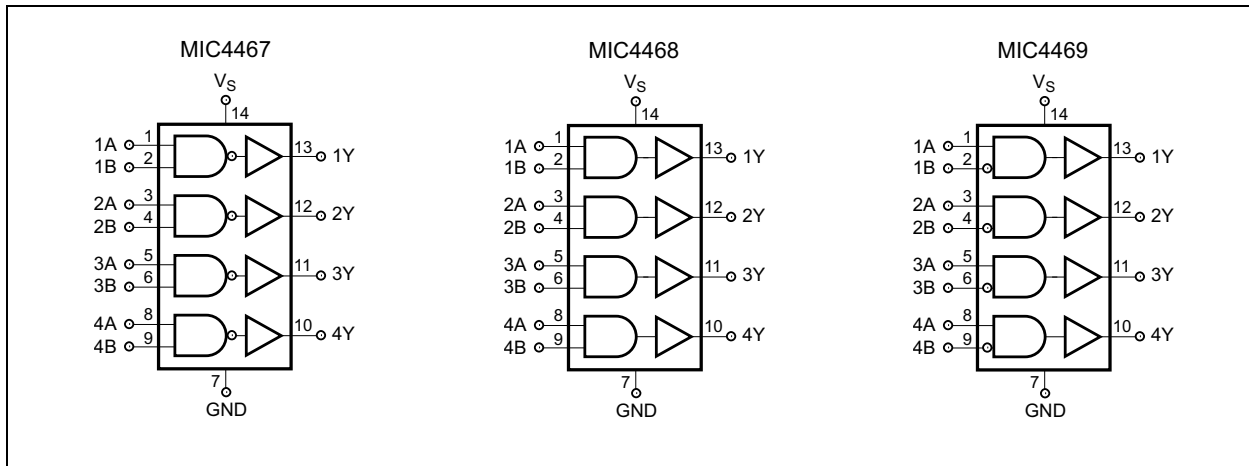
The MIC4467/8/9 family of four output CMOS buffer/drivers is an expansion from the earlier single- and dual-output drivers, to which they are functionally closely related. Because package pin count permitted it, each driver has been equipped with a dual input logic gate for added flexibility. Placing four high-power drivers in a single package also improves system reliability and reduces total system cost. In some applications, one of these drivers can replace not only two packages of single-input drivers, but some of the associated logic as well.

Although primarily intended for driving power MOSFETs, and similar highly capacitive loads, these drivers are equally well suited to driving any other load (capacitive, resistive, or inductive), which requires high efficiency, low-impedance driver capable of high peak currents, rail-to-rail voltage swings, and fast switching times. For example, heavily loaded clock lines, coaxial cables, and piezoelectric transducers can all be driven easily with MIC446x series drivers. The only limitation on loading is that total power dissipation in the IC must be kept within the power dissipation limits of the package.

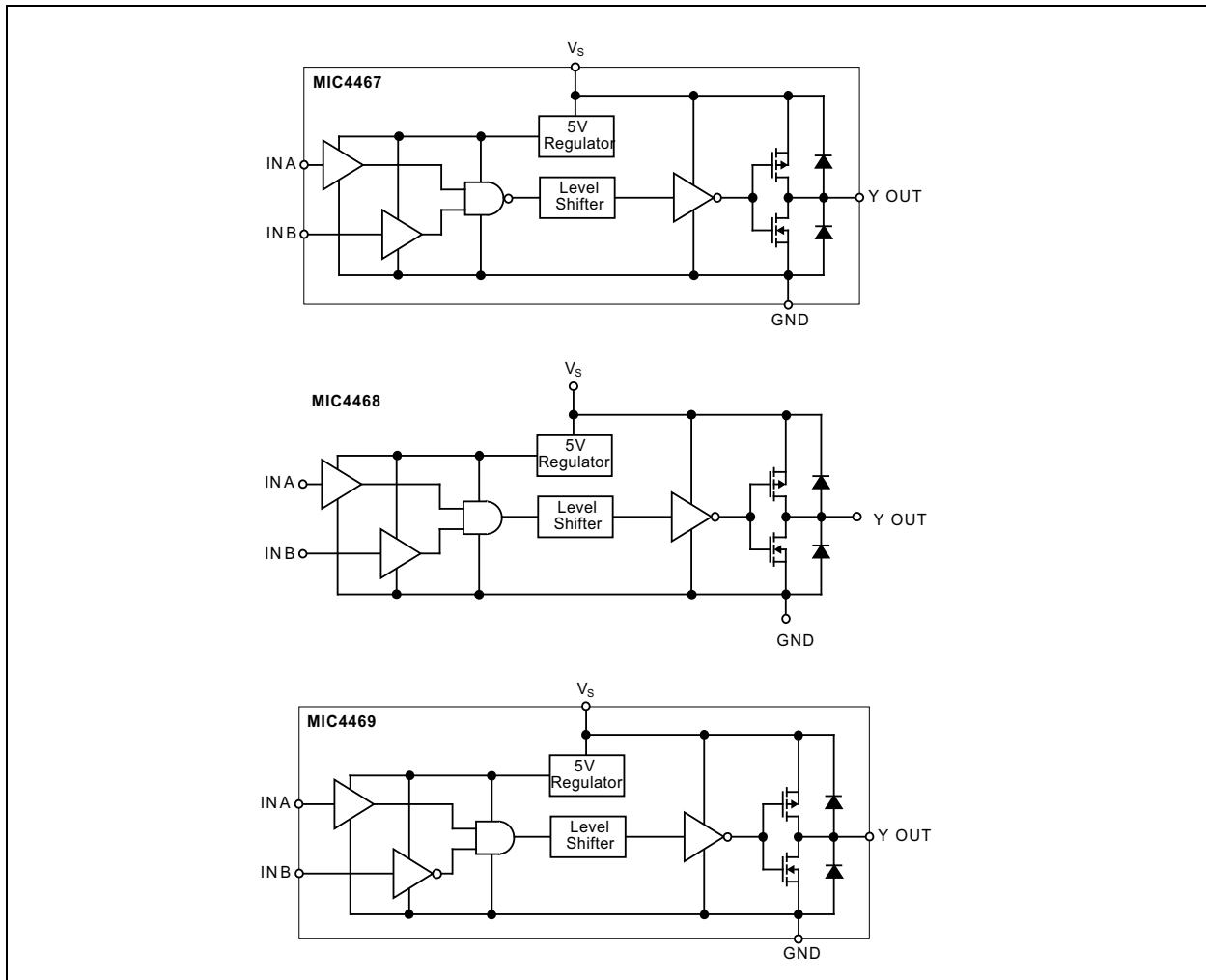
The MIC446x series drivers are built using a BCD process. They will not latch under any conditions within their power and voltage ratings. They are not subject to damage when up to 5V of noise spiking (either polarity) occurs on the ground line. They can accept up to half an amp of inductive kickback current (either polarity) into their outputs without damage or logic upset.

MIC4467/8/9

Logic Diagrams



Block Diagrams



1.0 ELECTRICAL CHARACTERISTICS

Absolute Maximum Ratings †

Supply Voltage	+22V
Input Voltage	$V_S + 0.3V$ to $GND - 5V$

Operating Ratings ‡

Power Dissipation	
N Package (14-Pin Plastic DIP)	1.5W
WM package (16-Pin Wide SOIC)	1W

† **Notice:** Stresses above those listed under “Absolute Maximum Ratings” may cause permanent damage to the device. This is a stress rating only and functional operation of the device at those or any other conditions above those indicated in the operational sections of this specification is not intended. Exposure to maximum rating conditions for extended periods may affect device reliability. Specifications are for packaged product only.

‡ **Notice:** The device is not guaranteed to function outside its operating ratings.

Note 1: Devices are ESD sensitive. Handling precautions are recommended. Human body model, 1.5 k Ω in series with 100 pF.

ELECTRICAL CHARACTERISTICS

Electrical Characteristics: Measured at $T_A = +25^\circ\text{C}$ with $4.5V \leq V_S \leq 18V$ unless otherwise specified. (Note 1)

Parameter	Symbol	Min.	Typ.	Max.	Units	Conditions
Input						
Logic 1 Input Voltage	V_{IH}	2.4	1.3	—	V	—
Logic 0 Input Voltage	V_{IL}	—	1.2	0.8	V	—
Input Current	I_{IN}	-1	—	1	μA	$0V \leq V_{IN} \leq V_S$
Output						
High Output Voltage	V_{OH}	$V_S - 0.15$	—	—	V	$I_{LOAD} = 10 \text{ mA}$
Low Output Voltage	V_{OL}	—	—	0.15	V	$I_{LOAD} = 10 \text{ mA}$
Output Resistance	R_O	—	5	15	Ω	$I_{OUT} = 10 \text{ mA}, V_S = 18V$
Peak Output Current	I_{PK}	—	1.2	—	A	—
Latch-Up Protection Withstand Reverse Current	I	>500	—	—	mA	—
Switching Time						
Rise Time	t_R	—	14	25	ns	Figure 1-1
Fall time	t_F	—	13	25	ns	Figure 1-1
Delay Time	t_{D1}	—	30	75	ns	Figure 1-1
	t_{D2}	—	45	75	ns	Figure 1-1
Power Supply						
Power Supply Current	I_S	—	0.2	4	mA	—

Note 1: Specification for packaged product only.

MIC4467/8/9

ELECTRICAL CHARACTERISTICS

Electrical Characteristics: Measured over operating temperature range with $4.5V \leq V_S \leq 18V$ unless otherwise specified. (Note 1)

Parameter	Symbol	Min.	Typ.	Max.	Units	Conditions
Input						
Logic 1 Input Voltage	V_{IH}	2.4	1.4	—	V	—
Logic 0 Input Voltage	V_{IL}	—	1.0	0.8	V	—
Input Current	I_{IN}	-1	—	1	μA	$0V \leq V_{IN} \leq V_S$
Output						
High Output Voltage	V_{OH}	$V_S - 0.3$	—	—	V	$I_{LOAD} = 10 \text{ mA}$
Low Output Voltage	V_{OL}	—	—	0.3	V	$I_{LOAD} = 10 \text{ mA}$
Output Resistance	R_O	—	7	30	Ω	$I_{OUT} = 10 \text{ mA}, V_S = 18V$
Peak Output Current	I_{PK}	—	1.2	—	A	—
Latch-Up Protection Withstand Reverse Current	I	500	—	—	mA	—
Switching Time						
Rise Time	t_R	—	17	50	ns	Figure 1-1
Fall time	t_F	—	16	50	ns	Figure 1-1
Delay Time	t_{D1}	—	35	100	ns	Figure 1-1
	t_{D2}	—	55	100	ns	Figure 1-1
Power Supply						
Power Supply Current	I_S	—	0.4	8	mA	—

Note 1: Specification for packaged product only.

TEMPERATURE SPECIFICATIONS (Note 1)

Parameters	Symbol	Min.	Typ.	Max.	Units	Conditions
Temperature Ranges						
Operating Ambient Temperature	T_A	-40	—	+85	$^{\circ}C$	Temperature Range Device: Y
		0	—	+70	$^{\circ}C$	Temperature Range Device: Z
Maximum Junction Temperature	T_J	—	—	+150	$^{\circ}C$	—
Storage Temperature Range	T_S	-65	—	+150	$^{\circ}C$	—
Lead Temperature	T_{LEAD}	—	—	+300	$^{\circ}C$	Soldering, 10 sec.
Package Thermal Resistances						
Thermal Resistance 14-Lead PDIP	θ_{JA}	—	80	—	$^{\circ}C/W$	—
Thermal Resistance 16-Lead Wide SOIC	θ_{JA}	—	120	—		—

Note 1: The maximum allowable power dissipation is a function of ambient temperature, the maximum allowable junction temperature and the thermal resistance from junction to air (i.e., T_A , T_J , θ_{JA}).

Test Circuits

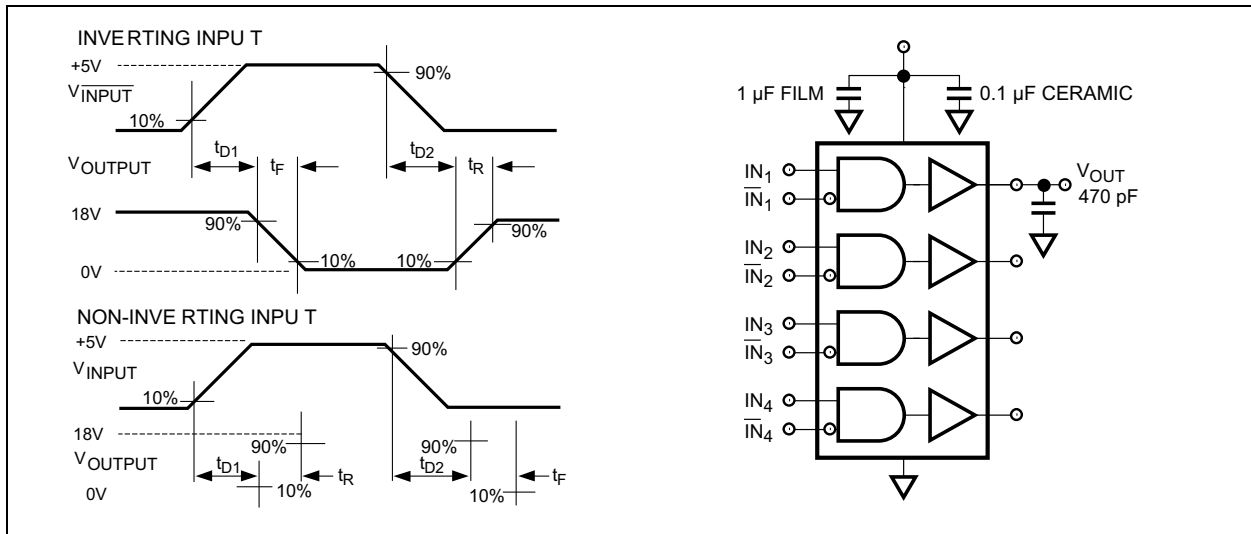


FIGURE 1-1: Inverting and Non-Inverting Input.

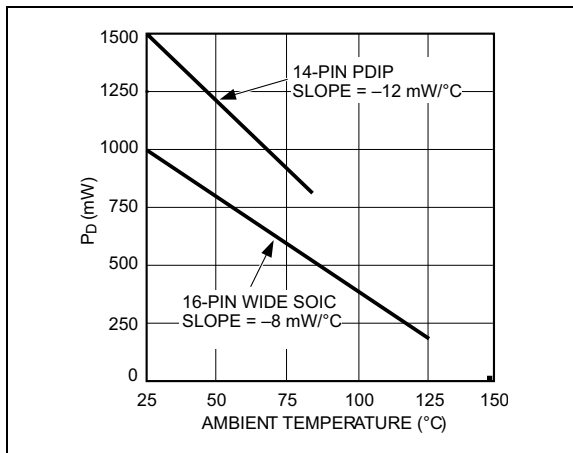


FIGURE 1-2: Package Power Dissipation.

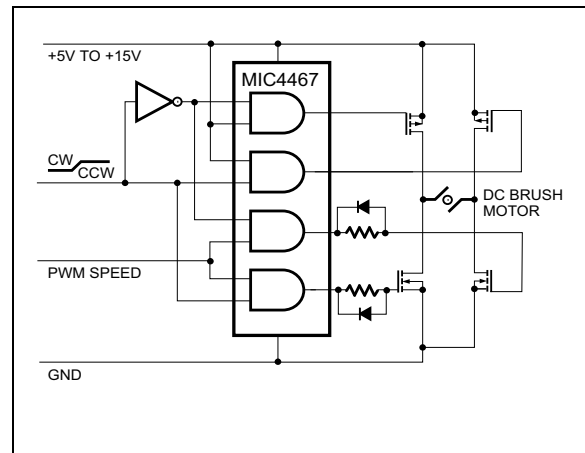


FIGURE 1-3: Quad Driver Drives H Bridge to Control motor Speed and Direction.

MIC4467/8/9

2.0 TYPICAL PERFORMANCE CURVES

Note: The graphs and tables provided following this note are a statistical summary based on a limited number of samples and are provided for informational purposes only. The performance characteristics listed herein are not tested or guaranteed. In some graphs or tables, the data presented may be outside the specified operating range (e.g., outside specified power supply range) and therefore outside the warranted range.

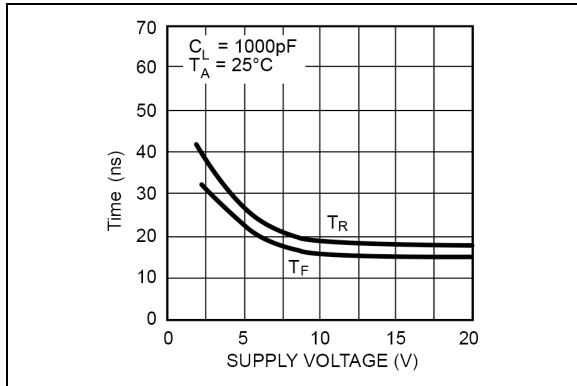


FIGURE 2-1: Rise and Fall Time vs. Supply Voltage.

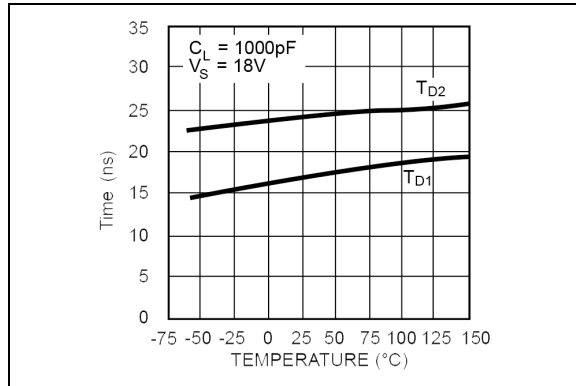


FIGURE 2-4: Delay Time vs. Temperature.

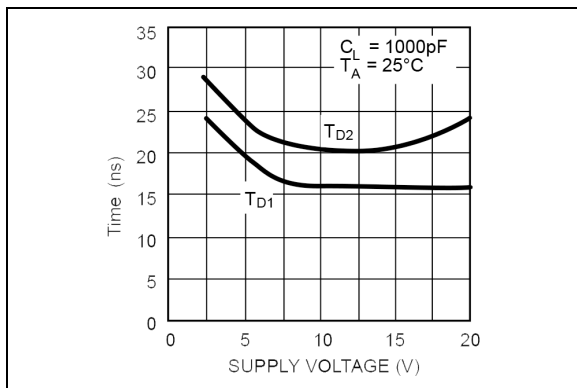


FIGURE 2-2: Delay Time vs. Supply Voltage.

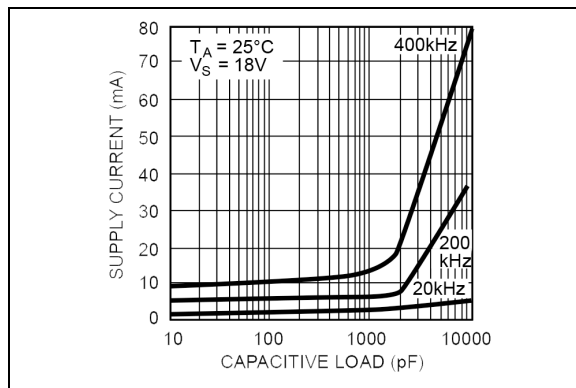


FIGURE 2-5: Supply Current vs. Capacitive Load.

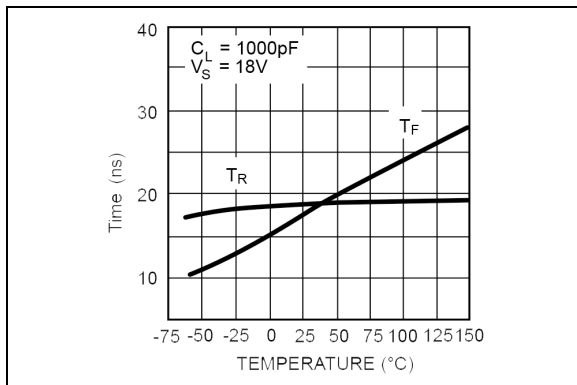


FIGURE 2-3: Rise and Fall Time vs. Temperature.

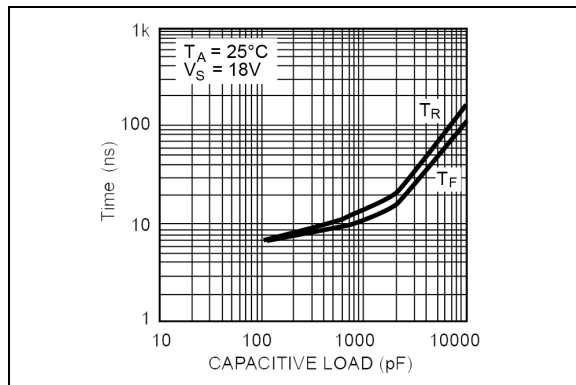


FIGURE 2-6: Rise and Fall Time vs. Capacitive Load.

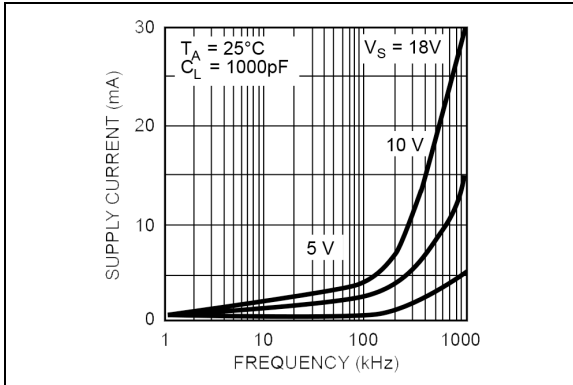


FIGURE 2-7: Supply Current vs. Frequency.

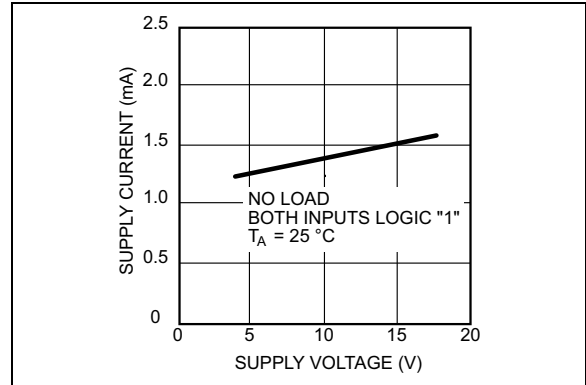


FIGURE 2-10: Quiescent Power Supply Current vs. Supply Voltage.

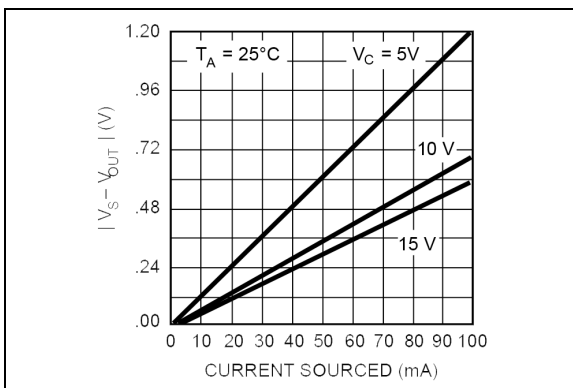


FIGURE 2-8: High Output vs. Current.

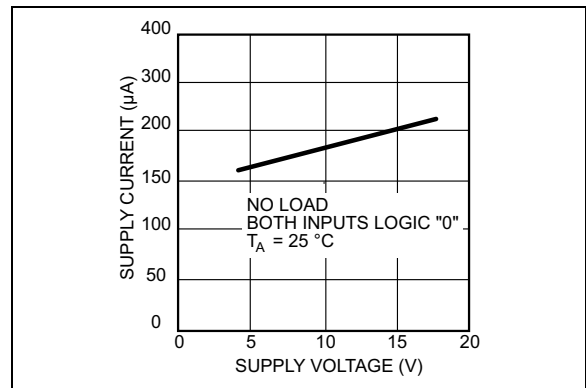


FIGURE 2-11: Quiescent Power Supply Current vs. Supply Voltage.

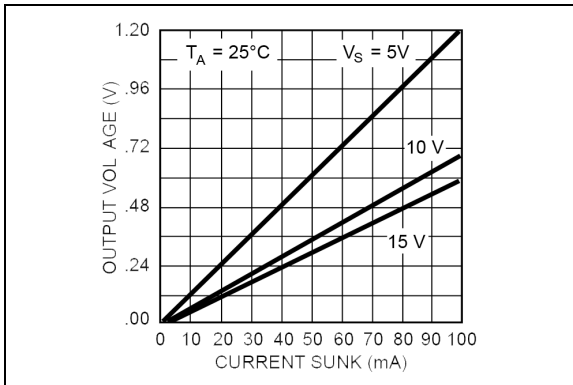
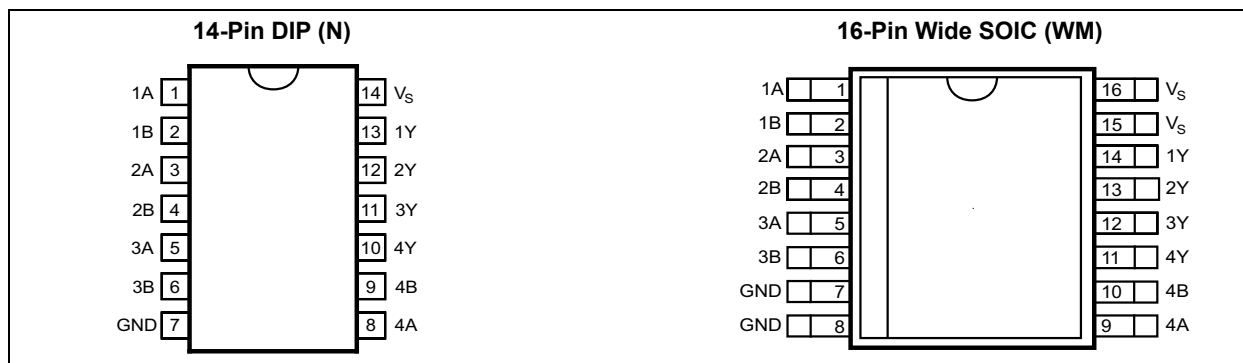


FIGURE 2-9: Low Output vs. Current.

MIC4467/8/9

3.0 PIN DESCRIPTIONS

Package Types



The descriptions of the pins are listed in [Table 3-1](#).

TABLE 3-1: PIN FUNCTION TABLE

Pin Number DIP	Pin Number Wide SOIC	Pin Name	Description
1	1	1A	Input A for Driver 1. TTL/CMOS Compatible Input
2	2	1B	Input B for Driver 1. TTL/CMOS Compatible Input
3	3	2A	Input A for Driver 2. TTL/CMOS Compatible Input
4	4	2B	Input B for Driver 2. TTL/CMOS Compatible Input
5	5	3A	Input A for Driver 3. TTL/CMOS Compatible Input
6	6	3B	Input B for Driver 3. TTL/CMOS Compatible Input
7	7	GND	Ground
8	—	4A	Input A for Driver 4. TTL/CMOS Compatible Input
—	8	GND	Ground
9	—	4B	Input B for Driver 4. TTL/CMOS Compatible Input
—	9	4A	Input A for Driver 4. TTL/CMOS Compatible Input
10	—	4Y	Output for Driver 4, CMOS Push-Pull Output
—	10	4B	Input B for Driver 4. TTL/CMOS Compatible Input
11	—	3Y	Output for Driver 3, CMOS Push-Pull Output
—	11	4Y	Output for Driver 4, CMOS Push-Pull Output
12	—	2Y	Output for Driver 2, CMOS Push-Pull Output
—	12	3Y	Output for Driver 3, CMOS Push-Pull Output
13	—	1Y	Output for Driver 1, CMOS Push-Pull Output
—	13	2Y	Output for Driver 2, CMOS Push-Pull Output
14	—	VS	Supply Input, 4.5V to 18V
—	14	1Y	Output for Driver 1, CMOS Push-Pull Output
—	15	VS	Supply Input, 4.5V to 18V
—	16	VS	Supply Input, 4.5V to 18V

3.1 Truth Table

TABLE 3-2: TRUTH TABLE

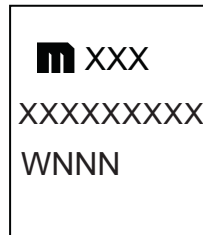
Part No.	Inputs		Output
	A	B	Y
MIC4467 (Each Driver)	L	X	H
	X	L	H
	H	H	L
MIC4468 (Each Driver)	H	H	H
	L	X	L
	X	L	L
MIC4469 (Each Driver)	L	X	L
	X	H	L
	H	L	H

MIC4467/8/9

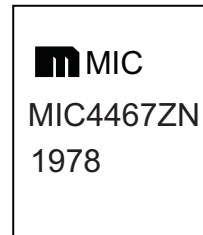
4.0 PACKAGING INFORMATION

4.1 Package Marking Information

16-Lead PDIP*



Example



16-Lead Wide SOIC*



Example



Legend:	XX...X	Product code or customer-specific information
	Y	Year code (last digit of calendar year)
	YY	Year code (last 2 digits of calendar year)
	WW	Week code (week of January 1 is week '01')
	NNN	Alphanumeric traceability code
	(e3)	Pb-free JEDEC® designator for Matte Tin (Sn)
	*	This package is Pb-free. The Pb-free JEDEC designator ((e3)) can be found on the outer packaging for this package.
	●, ▲, ▼	Pin one index is identified by a dot, delta up, or delta down (triangle mark).
Note:	In the event the full Microchip part number cannot be marked on one line, it will be carried over to the next line, thus limiting the number of available characters for customer-specific information. Package may or may not include the corporate logo.	
	Underbar (¯) and/or Overbar (¯) symbol may not be to scale.	

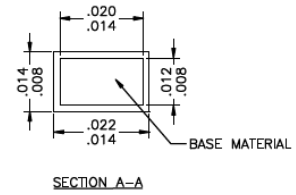
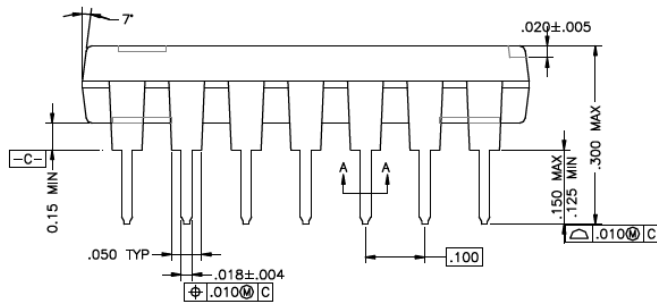
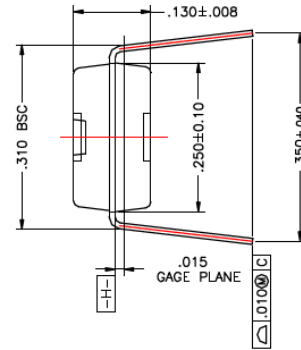
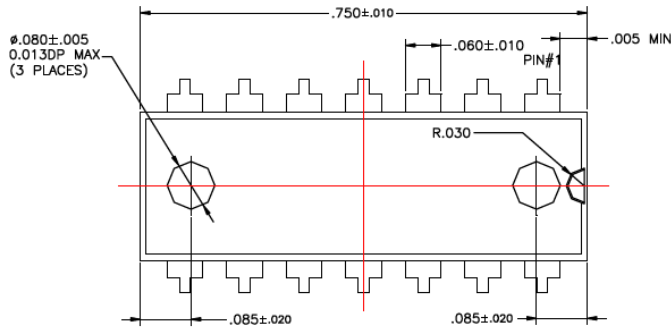
Note: If the full seven-character YYWWNNN code cannot fit on the package, the following truncated codes are used based on the available marking space:
6 Characters = YWWNNN; 5 Characters = WWNNN; 4 Characters = WNNN; 3 Characters = NNN;
2 Characters = NN; 1 Character = N

14-Lead Plastic DIP Package Outline and Recommended Land Pattern

TITLE

14 LEAD PDIP PACKAGE OUTLINE & RECOMMENDED LAND PATTERN

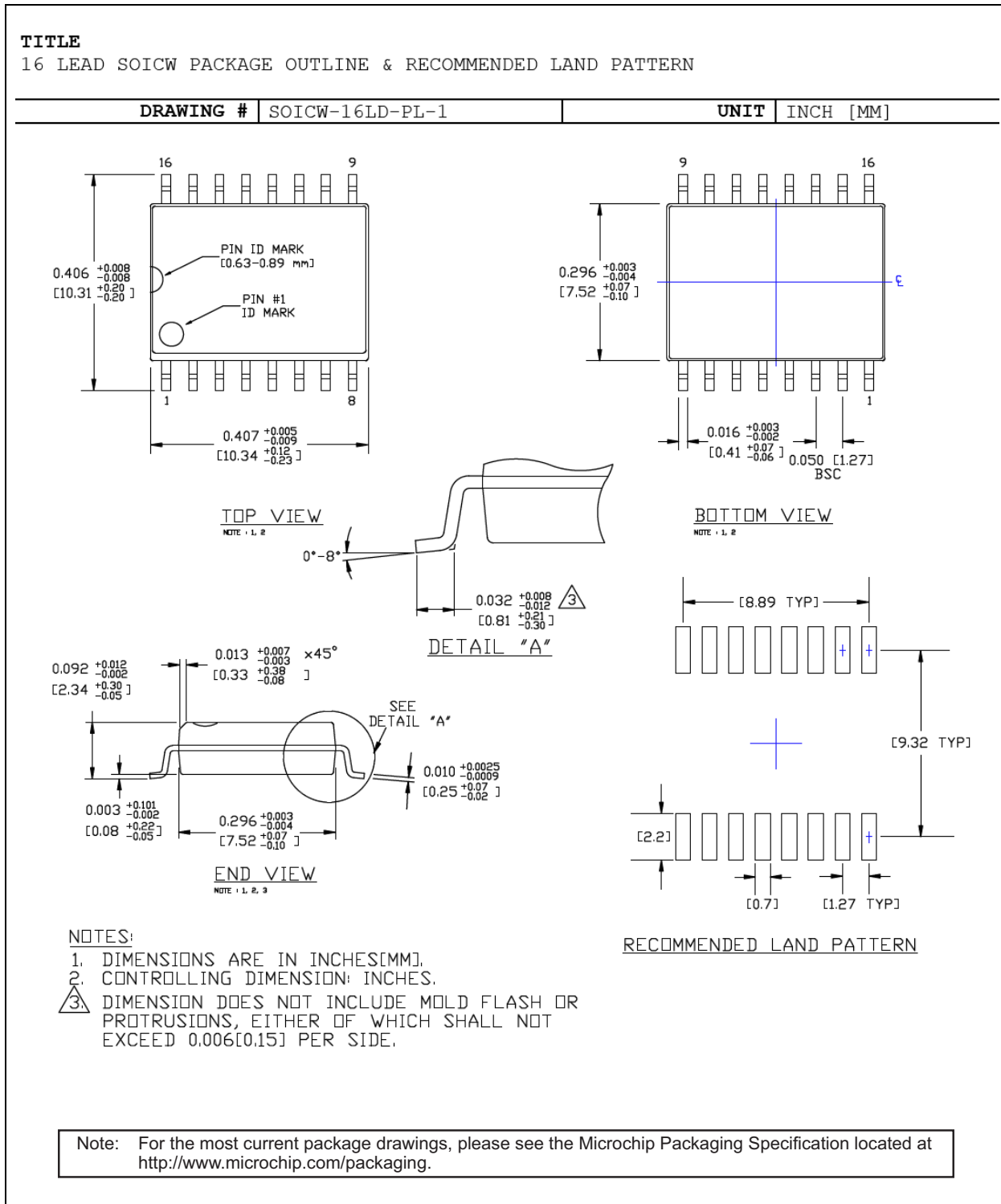
DRAWING #	PDIP-14LD-PL-1	UNIT	INCH
LEAD FRAME	Copper	LEAD FINISH	Matte Tin



Note: For the most current package drawings, please see the Microchip Packaging Specification located at <http://www.microchip.com/packaging>.

MIC4467/8/9

16-Lead Wide SOIC Package Outline and Recommended Land Pattern



APPENDIX A: REVISION HISTORY

Revision A (May 2022)

- Converted Micrel document MIC4467/8/9 to Microchip data sheet DS20006614A.
- Minor text changes throughout.

MIC4467/8/9

NOTES:

PRODUCT IDENTIFICATION SYSTEM

To order or obtain information, e.g., on pricing or delivery, contact your local Microchip representative or sales office.

<u>PART NO.</u>	<u>X</u>	<u>XX</u>	<u>-XX</u>	Examples:
Device	Temperature Range	Package	Media Type	
Device:	MIC4467: Quad 1.2A-Peak Low-Side MOSFET Driver with Bi-Polar/CMOS/DMOS Process featuring NAND Input Logic			a) MIC4467: 1.2A-Peak, Quad Low-Side MOSFET Driver, NAND Input Logic, -40°C to +85°C Industrial Temperature Range, RoHS Compliant
	MIC4468: Quad 1.2A-Peak Low-Side MOSFET Driver with Bi-Polar/CMOS/DMOS Process featuring AND Input Logic			MIC4467YWM 16-Lead SOIC Wide Package, 47/Tube
	MIC4469: Quad 1.2A-Peak Low-Side MOSFET Driver with Bi-Polar/CMOS/DMOS Process featuring AND with 1 Inverting Input Logic			MIC4467YWM-TR 16-Lead SOIC Wide Package, 1,000/Reel
Temperature Range:	Y = -40°C to +85°C, Industrial (RoHS Compliant)			b) MIC4467: 1.2A-Peak, Quad Low-Side MOSFET Driver, NAND Input Logic, 0°C to +70°C Commercial Temperature Range, RoHS Compliant
	Z = 0°C to +70°C, Commercial (RoHS Compliant)			MIC4467ZN 14-Lead PDIP Package, 25/Tube
Package:	N = 14-Lead PDIP			MIC4467ZWM 16-Lead SOIC Wide Package, 47/Tube
	WM = 16-Lead SOIC (Wide Body)			MIC4467ZWM-TR 16-Lead SOIC Wide Package, 1000/Reel
Media Type:	<blank> = 25/Tube (N, PDIP)			c) MIC4468: 1.2A-Peak, Quad Low-Side MOSFET Driver, AND Input Logic, -40°C to +85°C Industrial Temperature Range, RoHS Compliant
	<blank> = 47/Tube (WM, SOIC)			MIC4468YN 14-Lead PDIP Package, 25/Tube
	TR = 1,000/Reel (WM, SOIC)			MIC4468YWM 16-Lead SOIC Wide Package, 47/Tube
				MIC4468YWM-TR 16-Lead SOIC Wide Package, 1,000/Reel
				d) MIC4468: 1.2A-Peak, Quad Low-Side MOSFET Driver, AND Input Logic, 0°C to +70°C Commercial Temperature Range, RoHS Compliant
				MIC4468ZN 14-Lead PDIP Package, 25/Tube
				MIC4468ZWM 16-Lead SOIC Wide Package, 47/Tube
				MIC4468ZWM-TR 16-Lead SOIC Wide Package, 1,000/Reel
				MIC4469: 1.2A-Peak, Quad Low-Side MOSFET Driver, AND with 1 Inverting Input Logic, -40°C to +85°C Industrial Temperature Range, RoHS Compliant
				MIC4469YN 14-Lead PDIP Package, 25/Tube
				MIC4469YWM 16-Lead SOIC Wide Package, 47/Tube
				MIC4469YWM-TR 16-Lead SOIC Wide Package, 1,000/Reel
				MIC4469: 1.2A-Peak, Quad Low-Side MOSFET Driver, AND with 1 Inverting Input Logic, -40°C to +85°C Commercial Temperature Range, RoHS Compliant
				MIC4469ZN 14-Lead PDIP Package, 25/Tube
				MIC4469ZWM 16-Lead SOIC Wide Package, 47/Tube
				MIC4469WM-TR 16-Lead SOIC Wide Package, 1,000/Reel
				Note 1: Tape and Reel identifier only appears in the catalog part number description. This identifier is used for ordering purposes and is not printed on the device package. Check with your Microchip Sales Office for package availability with the Tape and Reel option.

MIC4467/8/9

NOTES:

Note the following details of the code protection feature on Microchip products:

- Microchip products meet the specifications contained in their particular Microchip Data Sheet.
- Microchip believes that its family of products is secure when used in the intended manner, within operating specifications, and under normal conditions.
- Microchip values and aggressively protects its intellectual property rights. Attempts to breach the code protection features of Microchip product is strictly prohibited and may violate the Digital Millennium Copyright Act.
- Neither Microchip nor any other semiconductor manufacturer can guarantee the security of its code. Code protection does not mean that we are guaranteeing the product is “unbreakable”. Code protection is constantly evolving. Microchip is committed to continuously improving the code protection features of our products.

This publication and the information herein may be used only with Microchip products, including to design, test, and integrate Microchip products with your application. Use of this information in any other manner violates these terms. Information regarding device applications is provided only for your convenience and may be superseded by updates. It is your responsibility to ensure that your application meets with your specifications. Contact your local Microchip sales office for additional support or, obtain additional support at <https://www.microchip.com/en-us/support/design-help/client-support-services>.

THIS INFORMATION IS PROVIDED BY MICROCHIP "AS IS". MICROCHIP MAKES NO REPRESENTATIONS OR WARRANTIES OF ANY KIND WHETHER EXPRESS OR IMPLIED, WRITTEN OR ORAL, STATUTORY OR OTHERWISE, RELATED TO THE INFORMATION INCLUDING BUT NOT LIMITED TO ANY IMPLIED WARRANTIES OF NON-INFRINGEMENT, MERCHANTABILITY, AND FITNESS FOR A PARTICULAR PURPOSE, OR WARRANTIES RELATED TO ITS CONDITION, QUALITY, OR PERFORMANCE.

IN NO EVENT WILL MICROCHIP BE LIABLE FOR ANY INDIRECT, SPECIAL, PUNITIVE, INCIDENTAL, OR CONSEQUENTIAL LOSS, DAMAGE, COST, OR EXPENSE OF ANY KIND WHATSOEVER RELATED TO THE INFORMATION OR ITS USE, HOWEVER CAUSED, EVEN IF MICROCHIP HAS BEEN ADVISED OF THE POSSIBILITY OR THE DAMAGES ARE FORESEEABLE. TO THE FULLEST EXTENT ALLOWED BY LAW, MICROCHIP'S TOTAL LIABILITY ON ALL CLAIMS IN ANY WAY RELATED TO THE INFORMATION OR ITS USE WILL NOT EXCEED THE AMOUNT OF FEES, IF ANY, THAT YOU HAVE PAID DIRECTLY TO MICROCHIP FOR THE INFORMATION.

Use of Microchip devices in life support and/or safety applications is entirely at the buyer's risk, and the buyer agrees to defend, indemnify and hold harmless Microchip from any and all damages, claims, suits, or expenses resulting from such use. No licenses are conveyed, implicitly or otherwise, under any Microchip intellectual property rights unless otherwise stated.

For information regarding Microchip's Quality Management Systems, please visit www.microchip.com/quality.

Trademarks

The Microchip name and logo, the Microchip logo, Adaptec, AnyRate, AVR, AVR logo, AVR Freaks, BesTime, BitCloud, CryptoMemory, CryptoRF, dsPIC, flexPWR, HELDO, IGLOO, JukeBlox, KeeLoq, Kleer, LANCheck, LinkMD, maXStylus, maXTouch, MediaLB, megaAVR, Microsemi, Microsemi logo, MOST, MOST logo, MPLAB, OptoLyzer, PIC, picoPower, PICSTART, PIC32 logo, PolarFire, Prochip Designer, QTouch, SAM-BA, SenGenuity, SpyNIC, SST, SST Logo, SuperFlash, Symmetricom, SyncServer, Tachyon, TimeSource, tinyAVR, UNI/O, Vectron, and XMEGA are registered trademarks of Microchip Technology Incorporated in the U.S.A. and other countries.

AgileSwitch, APT, ClockWorks, The Embedded Control Solutions Company, EtherSynch, Flashtec, Hyper Speed Control, HyperLight Load, IntelliMOS, Libero, motorBench, mTouch, Powermite 3, Precision Edge, ProASIC, ProASIC Plus, ProASIC Plus logo, QuietWire, SmartFusion, SyncWorld, Temux, TimeCesium, TimeHub, TimePictra, TimeProvider, TrueTime, WinPath, and ZL are registered trademarks of Microchip Technology Incorporated in the U.S.A.

Adjacent Key Suppression, AKS, Analog-for-the-Digital Age, Any Capacitor, AnyIn, AnyOut, Augmented Switching, BlueSky, BodyCom, CodeGuard, CryptoAuthentication, CryptoAutomotive, CryptoCompanion, CryptoController, dsPICDEM, dsPICDEM.net, Dynamic Average Matching, DAM, ECAN, Espresso T1S, EtherGREEN, GridTime, IdealBridge, In-Circuit Serial Programming, ICSP, INICnet, Intelligent Paralleling, Inter-Chip Connectivity, JitterBlocker, Knob-on-Display, maxCrypto, maxView, memBrain, Mindi, MiWi, MPASM, MPF, MPLAB Certified logo, MPLIB, MPLINK, MultiTRAK, NetDetach, NVM Express, NVMe, Omniscient Code Generation, PICDEM, PICDEM.net, PICkit, PICtail, PowerSmart, PureSilicon, QMatrix, REAL ICE, Ripple Blocker, RTAX, RTG4, SAM-ICE, Serial Quad I/O, simpleMAP, SimpliPHY, SmartBuffer, SmartHLS, SMART-I.S., storClad, SQL, SuperSwitcher, SuperSwitcher II, Switchtec, SynchroPHY, Total Endurance, TSHARC, USBCheck, VariSense, VectorBlox, VeriPHY, ViewSpan, WiperLock, XpressConnect, and ZENA are trademarks of Microchip Technology Incorporated in the U.S.A. and other countries.

SQTP is a service mark of Microchip Technology Incorporated in the U.S.A.

The Adaptec logo, Frequency on Demand, Silicon Storage Technology, Symmcom, and Trusted Time are registered trademarks of Microchip Technology Inc. in other countries.

GestIC is a registered trademark of Microchip Technology Germany II GmbH & Co. KG, a subsidiary of Microchip Technology Inc., in other countries.

All other trademarks mentioned herein are property of their respective companies.

© 2022, Microchip Technology Incorporated and its subsidiaries.

All Rights Reserved.

ISBN: 978-1-6683-0406-8



MICROCHIP

Worldwide Sales and Service

AMERICAS

Corporate Office

2355 West Chandler Blvd.

Chandler, AZ 85224-6199

Tel: 480-792-7200

Fax: 480-792-7277

Technical Support:

<http://www.microchip.com/support>

Web Address:

www.microchip.com

Atlanta

Duluth, GA

Tel: 678-957-9614

Fax: 678-957-1455

Austin, TX

Tel: 512-257-3370

Boston

Westborough, MA

Tel: 774-760-0087

Fax: 774-760-0088

Chicago

Itasca, IL

Tel: 630-285-0071

Fax: 630-285-0075

Dallas

Addison, TX

Tel: 972-818-7423

Fax: 972-818-2924

Detroit

Novi, MI

Tel: 248-848-4000

Houston, TX

Tel: 281-894-5983

Indianapolis

Noblesville, IN

Tel: 317-773-8323

Fax: 317-773-5453

Tel: 317-536-2380

Los Angeles

Mission Viejo, CA

Tel: 949-462-9523

Fax: 949-462-9608

Tel: 951-273-7800

Raleigh, NC

Tel: 919-844-7510

New York, NY

Tel: 631-435-6000

San Jose, CA

Tel: 408-735-9110

Tel: 408-436-4270

Canada - Toronto

Tel: 905-695-1980

Fax: 905-695-2078

ASIA/PACIFIC

Australia - Sydney

Tel: 61-2-9868-6733

China - Beijing

Tel: 86-10-8569-7000

China - Chengdu

Tel: 86-28-8665-5511

China - Chongqing

Tel: 86-23-8980-9588

China - Dongguan

Tel: 86-769-8702-9880

China - Guangzhou

Tel: 86-20-8755-8029

China - Hangzhou

Tel: 86-571-8792-8115

China - Hong Kong SAR

Tel: 852-2943-5100

China - Nanjing

Tel: 86-25-8473-2460

China - Qingdao

Tel: 86-532-8502-7355

China - Shanghai

Tel: 86-21-3326-8000

China - Shenyang

Tel: 86-24-2334-2829

China - Shenzhen

Tel: 86-755-8864-2200

China - Suzhou

Tel: 86-186-6233-1526

China - Wuhan

Tel: 86-27-5980-5300

China - Xian

Tel: 86-29-8833-7252

China - Xiamen

Tel: 86-592-2388138

China - Zhuhai

Tel: 86-756-3210040

ASIA/PACIFIC

India - Bangalore

Tel: 91-80-3090-4444

India - New Delhi

Tel: 91-11-4160-8631

India - Pune

Tel: 91-20-4121-0141

Japan - Osaka

Tel: 81-6-6152-7160

Japan - Tokyo

Tel: 81-3-6880-3770

Korea - Daegu

Tel: 82-53-744-4301

Korea - Seoul

Tel: 82-2-554-7200

Malaysia - Kuala Lumpur

Tel: 60-3-7651-7906

Malaysia - Penang

Tel: 60-4-227-8870

Philippines - Manila

Tel: 63-2-634-9065

Singapore

Tel: 65-6334-8870

Taiwan - Hsin Chu

Tel: 886-3-577-8366

Taiwan - Kaohsiung

Tel: 886-7-213-7830

Taiwan - Taipei

Tel: 886-2-2508-8600

Thailand - Bangkok

Tel: 66-2-694-1351

Vietnam - Ho Chi Minh

Tel: 84-28-5448-2100

EUROPE

Austria - Wels

Tel: 43-7242-2244-39

Fax: 43-7242-2244-393

Denmark - Copenhagen

Tel: 45-4485-5910

Fax: 45-4485-2829

Finland - Espoo

Tel: 358-9-4520-820

France - Paris

Tel: 33-1-69-53-63-20

Fax: 33-1-69-30-90-79

Germany - Garching

Tel: 49-8931-9700

Germany - Haan

Tel: 49-2129-3766400

Germany - Heilbronn

Tel: 49-7131-72400

Germany - Karlsruhe

Tel: 49-721-625370

Germany - Munich

Tel: 49-89-627-144-0

Fax: 49-89-627-144-44

Germany - Rosenheim

Tel: 49-8031-354-560

Israel - Ra'anana

Tel: 972-9-744-7705

Italy - Milan

Tel: 39-0331-742611

Fax: 39-0331-466781

Italy - Padova

Tel: 39-049-7625286

Netherlands - Drunen

Tel: 31-416-690399

Fax: 31-416-690340

Norway - Trondheim

Tel: 47-7288-4388

Poland - Warsaw

Tel: 48-22-3325737

Romania - Bucharest

Tel: 40-21-407-87-50

Spain - Madrid

Tel: 34-91-708-08-90

Fax: 34-91-708-08-91

Sweden - Gothenberg

Tel: 46-31-704-60-40

Sweden - Stockholm

Tel: 46-8-5090-4654

UK - Wokingham

Tel: 44-118-921-5800

Fax: 44-118-921-5820