

April 1997

Half Bridge 500V_{DC} Driver

Features

- **Maximum Rating** **500V**
- **Ability to Interface and Drive N-Channel Power Devices**
- **Floating Bootstrap Power Supply for Upper Rail Drive**
- **CMOS Schmitt-Triggered Inputs with Hysteresis and Pull-Down**
- **Up to 400kHz Operation**
- **Single Low Current Bias Supply**
- **Latch-Up Immune CMOS Logic**
- **Peak Drive**.....**Up to 2.0A**
- **Gate Drive Rise Time (+125°C)**..... **< 25ns (Typ)**

Applications

- **High Frequency Switch-Mode Power Supply**
- **Induction Heating and Welding**
- **Switch Mode Amplifiers**
- **AC and DC Motor Drives**
- **Electronic Lamp Ballasts**
- **Battery Chargers**
- **UPS Inverters**
- **Noise Cancellation in Amplifier Systems**

Description

The HIP2500 is a high voltage integrated circuit (HVIC) optimized to drive N-Channel MOS gated power devices in half bridge topologies. It provides the necessary control for PWM motor drive, power supply, and UPS applications. The SD pin allows external shutdown of gate drive to both upper and lower gate outputs. Undervoltage lockout will not allow gating when the bias voltage is too low to drive the external switches into saturation.

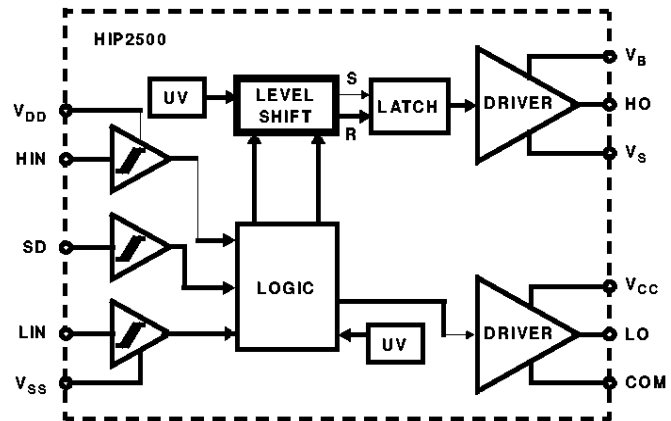
The HIP2500IP is pin and function compatible to the International Rectifier IR2110. The HIP2500 has superior ability to accept negative voltages from the V_S pin to the COM pin due to forward recovery of the lower flyback diode.

The HIP2500IB is a SOIC or small outline IC form of the HIP2500. The HIP2500IB drives high side and low side referenced power switches just like the HIP2500IP.

The HIP2500IP1 is a 16 lead Plastic DIP form of the HIP2500. Pins 4 and 5 removed from lead frame to provide extra creepage and strike distances in high voltage applications.

Please see Application Note AN9010 for more information.

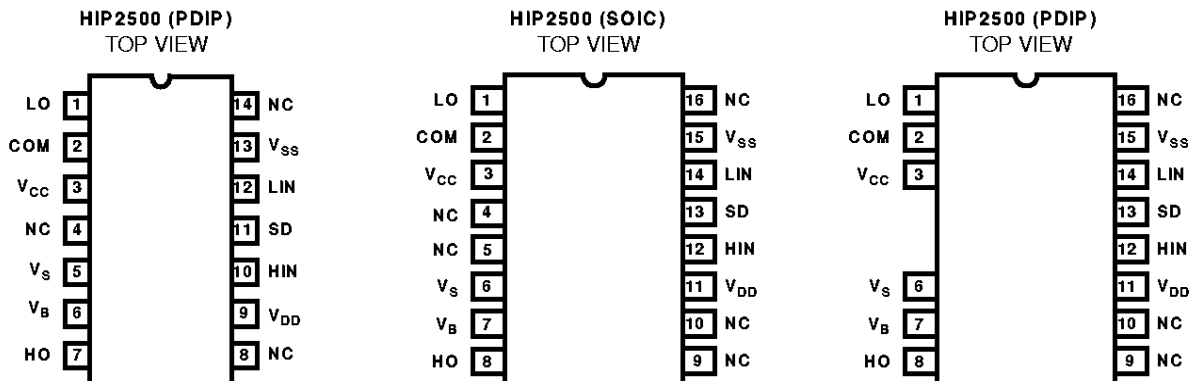
Functional Block Diagram



Ordering Information

PART NUMBER	TEMP. RANGE (°C)	PACKAGE	PKG NO.
HIP2500IP	-40 to +85	14 Ld PDIP	E14.3
HIP2500IP1	-40 to +85	16 Ld PDIP	E16.3
HIP2500IB	-40 to +85	16 Ld SOIC (W)	M16.3

Pinouts



HIP2500

Absolute Maximum Ratings Full Temperature Range Unless Otherwise Noted, All Voltages Referenced to V_{SS} Unless Otherwise Noted.

Floating Supply Voltage, V_B $V_S - 0.5V$ to $V_S + 18.0V$
 (Positive Terminal)
 Floating Supply Voltage, V_S 500V
 (Common Terminal)
 High Side Channel Output Voltage, V_{HO} $-0.5V$ to $V_B + 0.5V$
 Fixed Supply Voltage, V_{CC} $-0.5V$ to 18.0V
 Low Side Channel Output Voltage, V_{LO} $-0.5V$ to $V_{CC} + 0.5V$
 Logic Supply Voltage, V_{DD} $-0.5V$ to 18.0V
 Logic Input Voltage, V_{IN} $-0.5V$ to $V_{DD} + 0.5V$
 [HIN, LIN & SD (Shutdown)]
 V_{DD} to COM and V_{CC} to V_{SS} Voltage $-0.5V$ to 18.0V

Thermal Information

Thermal Resistance (Note 1, Typical) θ_{JA}
 HIP2500IP 75°C/W
 HIP2500IP1 80°C/W
 HIP2500IB 90°C/W
 See Maximum Power Dissipation vs Temperature Curve
 Junction Temperature Range $-40^\circ C$ to $+125^\circ C$
 Storage Temperature Range, T_S $-40^\circ C$ to $+150^\circ C$
 Operating Ambient Temperature Range, T_A $-40^\circ C$ to $+85^\circ C$

NOTE:

- θ_{JA} is measured with the component mounted on an evaluation PC board in free air.

CAUTION: Stresses above those listed in "Absolute Maximum Ratings" may cause permanent damage to the device. This is a stress only rating and operation of the device at these or any other conditions above those indicated in the operational sections of this specification is not implied.

Recommended DC Operating Conditions

Floating Supply Voltage, V_B $V_S + 10V$ to $V_S + 15V$
 (Floating Terminal)
 High Side Channel Output Voltage, V_{HO} 10V to V_B
 (With Respect to V_S)
 Fixed Supply Voltage, V_{CC} 10V to 15V
 Low Side Channel Output Voltage, V_{LO} 0V to V_{CC}
 Logic Supply Voltage, V_{DD} 4V to V_{CC}
 Floating Supply Voltage, V_S $-4.0V$ to 500V
 (Common Terminal)
 V_{SS} and COM potentials to be equal.

Electrical Specifications $V_{CC} = (V_B - V_S) = V_{DD} = 15V$, COM = $V_{SS} = 0$, Unless Otherwise Noted

PARAMETER	SYMBOL	$T_J = +25^\circ C$			$T_J = -40^\circ C$ TO $+125^\circ C$			UNITS
		MIN	TYP	MAX	MIN	TYP	MAX	
DC CHARACTERISTICS								
Quiescent V_{CC} Current	I_{OCC}	-	1.5	1.9	-	-	2.0	mA
Quiescent V_{BS} Current	I_{OBS}	-	300	400	-	300	435	μA
Quiescent V_{DD} Current	I_{ODD}	-	0.1	1	-	-	1.8	μA
Quiescent Leakage Current	I_S (500V)	-	0.4	3.0	-	-	-	μA
Logic Input Pulldown Current, $V_{IN} = V_{DD}$ (HIN, LIN, SD)	IN+	-	12	20	-	-	22	μA
Logic Input Leakage Current, $V_{IN} = V_{SS}$ (HIN, LIN, SD)	IN-	-	0	1	-	0	1	μA
Logic Input Positive Going Threshold (Note 2)	V_{TH+}	7.5	8.0	8.5	7.5	8.0	8.6	V
Logic Input Negative Going Threshold (Note 2)	V_{TH-}	5.5	5.9	6.3	5.5	5.9	6.4	V
Undervoltage Positive Going Threshold	UV+	8.0	9.35	9.99	7.8	-	9.99	V
Undervoltage Negative Going Threshold	UV-	7.7	9.05	9.69	7.5	-	9.69	V
Undervoltage Hysteresis (V_{CC})	UVHYS (V_{CC})	250	-	450	170	-	530	mV
Undervoltage Hysteresis (V_{BS})	UVHYS (V_{BS})	250	-	450	170	-	530	mV
Output High Open Circuit Voltage (HO, LO)	V_{OUT+}	14.95	15	-	14.95	15	-	V
Output Low Open Circuit Voltage (HO, LO)	V_{OUT-}	-	-	0.05	-	-	0.05	V
Output High Short Circuit Current (Sourcing)	I_{OUT+}	1.65	2.1	-	1.15	1.6	-	A
Output Low Short Circuit Current (Sinking)	I_{OUT-}	1.85	2.3	-	1.35	1.7	-	A

NOTE:

- See Figure 8 for logic supply voltages other than 15.0V.

HIP2500

Switching Specifications

PARAMETER	SYMBOL	T _J = +25°C			T _J = -40°C TO +125°C			UNITS
		MIN	TYP	MAX	MIN	TYP	MAX	
HIGH SIDE CHANNEL WITH 500V OFFSET, C _L = 1000pF								
High Side Turn-On Propagation Delay	t _{ON}	320	420	525	230	-	725	ns
High Side Turn-Off Propagation Delay	t _{OFF}	260	385	450	190	-	625	ns
High Side Rise Time	t _R	-	25	50	-	25	50	ns
High Side Turn-Off Fall Time	t _F	-	25	50	-	25	50	ns
LOW SIDE CHANNEL, C _L = 1000pF								
Low Side Turn-On Propagation Delay	t _{ON}	250	365	450	190	-	600	ns
Low Side Turn-Off Propagation Delay	t _{OFF}	175	295	370	125	-	475	ns
Low Side Turn-On Rise Time	t _R	-	25	50	-	30	50	ns
Low Side Turn-Off Fall Time	t _F	-	25	50	-	30	50	ns
Shutdown Propagation Delay High Side Shutdown	t _{SDHO}	300	400	490	200	-	650	ns
Low Side Shutdown	t _{SDLO}	175	320	400	125	-	500	ns
HIGH SIDE CHANNEL WITH 500V OFFSET, C _L = 1000pF								
Turn-On Propagation Delay Matching (Between HO and LO)	M _t	0	-	125	0	-	185	ns
Minimum On Output Pulse Width (HO, LO)	PW _{OUT(MIN)}	-	35	50	-	35	55	ns
Minimum Off Output Pulse Width (HO, LO)	PW _{OUTMIN}	275	440	640	250	440	650	ns
Minimum On Input Pulse Width (HIN, LIN)	PW _{ON(MIN)}	-	100	145	-	100	175	ns
Minimum Off Input Pulse Width (HIN, LIN)	PW _{OFF(MIN)}	-	110	200	-	110	220	ns
Deadtime LO Turn-Off to HO Turn-On	DHt _{ON}	-	125	-	-	125	-	ns
Deadtime HO Turn-Off to LO Turn-On	DLt _{ON}	-	-20	-	-	-20	-	ns
MAXIMUM TRANSIENT CONDITIONS								
Offset Supply Operating Transient	dV _S /dt	-	-	50	-	-	50	V/ns

Logic Truth Table

HIN	LIN	UV _H	UV _L	SD	HO	LO	COMMENTS
0	0	0	0	0	0	0	Normal Off
0	1	0	0	0	0	1	Lower On
1	0	0	0	0	1	0	Upper On
1	1	0	0	0	1	1	Both On
X	X	X	X	1	0	0	Chip Disabled
X	X	1	1	X	0	0	V _{CC} UV Lockout and V _{BS} Lockout
X	1	1	0	0	0	1	V _{BS} UV Lockout
1	X	0	1	0	1	0	V _{CC} UV Lockout

Typical Performance Curves

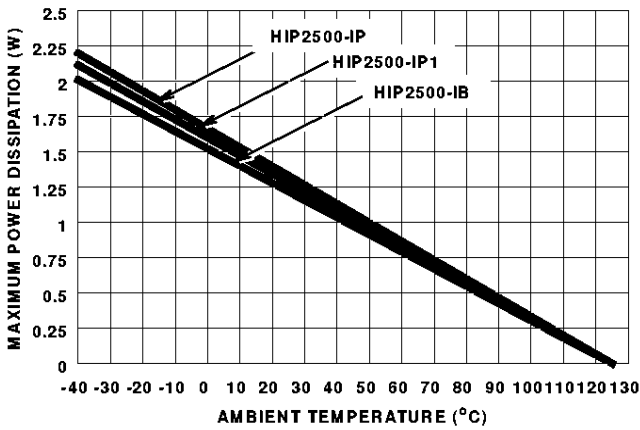


FIGURE 1. MAXIMUM POWER DISSIPATION vs TEMPERATURE

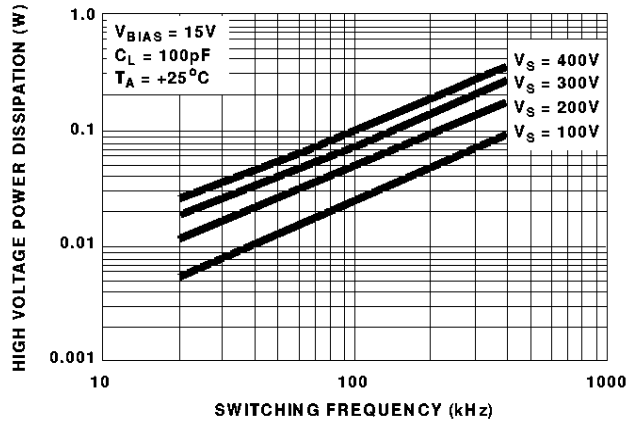
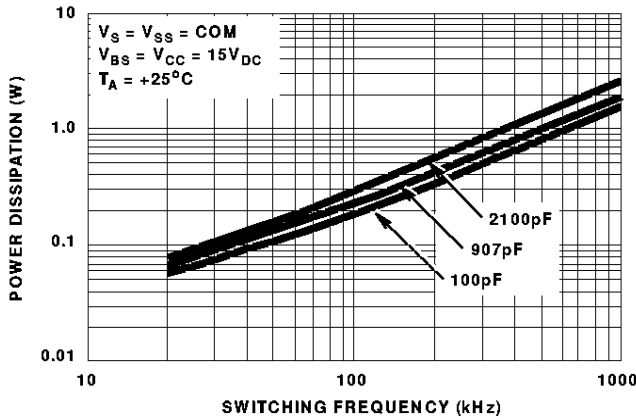


FIGURE 2. HIGH VOLTAGE POWER DISSIPATION vs SWITCHING FREQUENCY



NOTE: All switching losses assumed to be in IC.

FIGURE 3. LOW VOLTAGE POWER DISSIPATION vs FREQUENCY

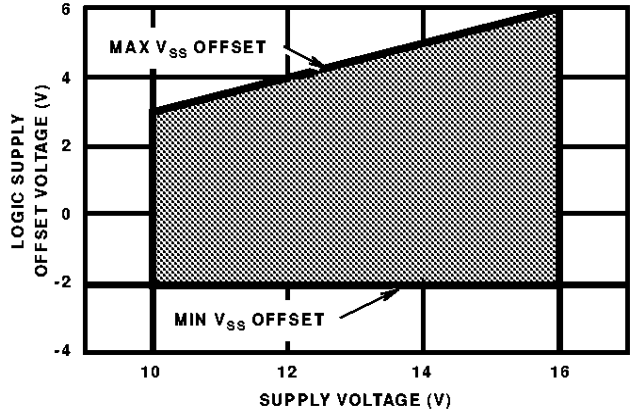


FIGURE 4. V_{SS} OFFSET vs V_{CC} SUPPLY VOLTAGE

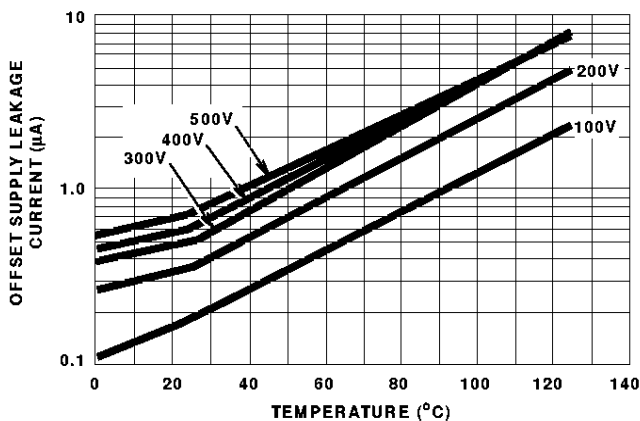


FIGURE 5. OFFSET SUPPLY LEAKAGE vs TEMPERATURE

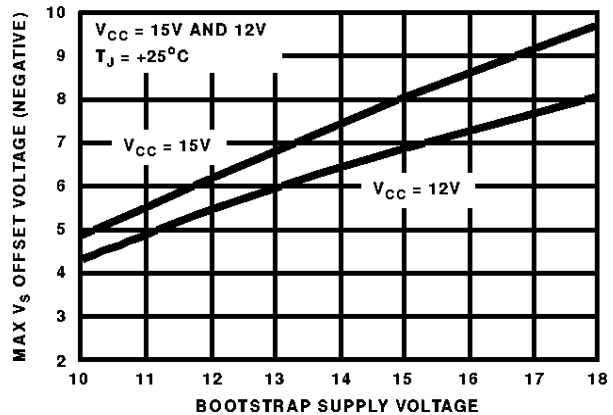


FIGURE 6. MAXIMUM NEGATIVE V_S OFFSET VOLTAGE vs V_{BS} VOLTAGE

Typical Performance Curves (Continued)

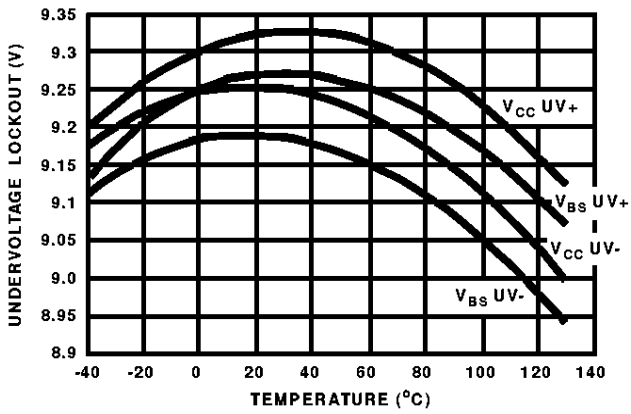


FIGURE 7. UNDERVOLTAGE LOCKOUT vs TEMPERATURE

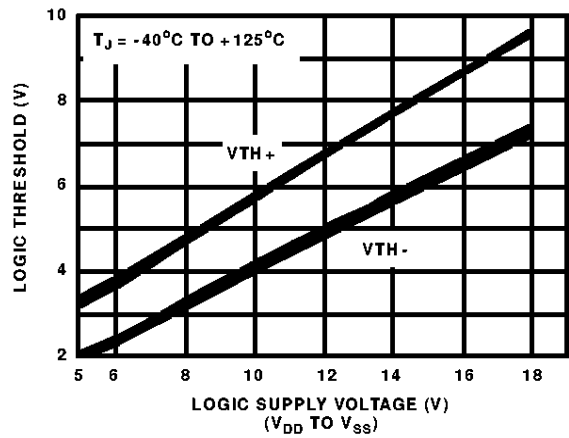


FIGURE 8. INPUT LOGIC THRESHOLD vs SUPPLY VOLTS

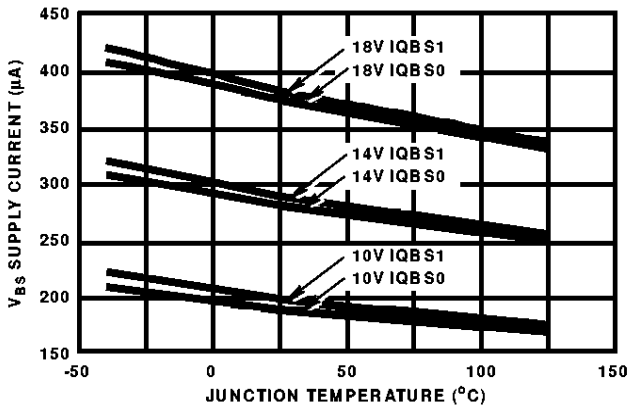


FIGURE 9. QUIESCENT V_{BS} SUPPLY CURRENT vs TEMPERATURE

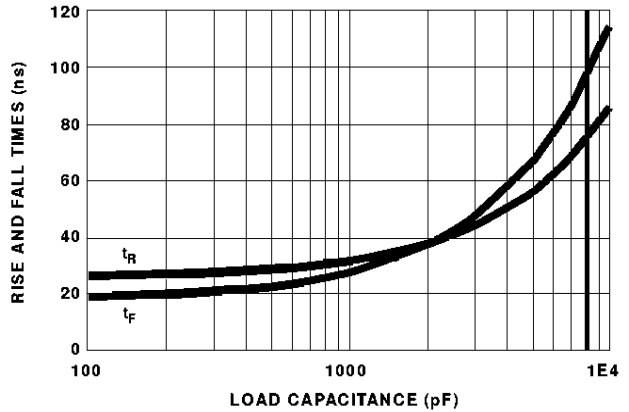


FIGURE 10. RISE AND FALL TIME vs LOAD CAPACITANCE

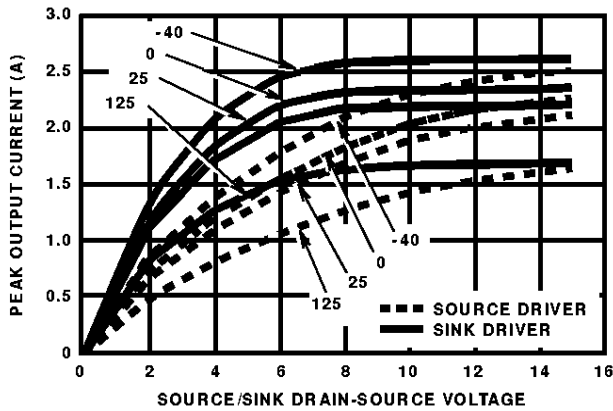


FIGURE 11. DRIVER SINK/SOURCE V-I CHARACTERISTIC

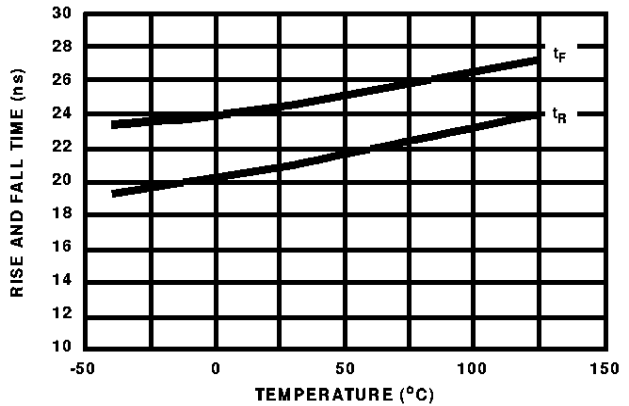


FIGURE 12. RISE AND FALL TIME vs TEMPERATURE

Typical Performance Curves (Continued)

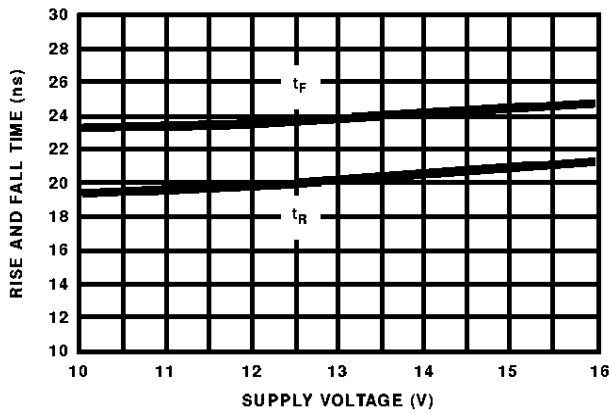


FIGURE 13. RISE AND FALL TIME vs SUPPLY VOLTAGE

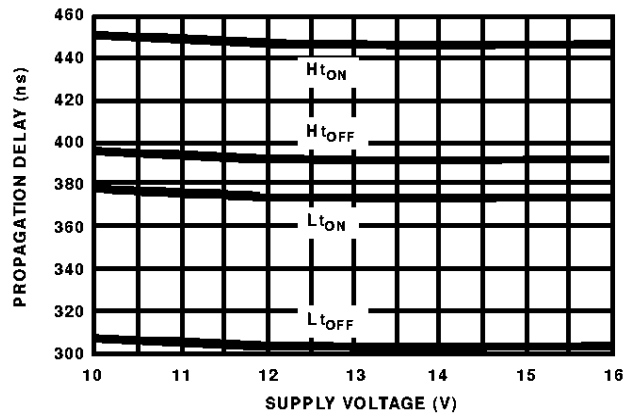


FIGURE 14. PROPAGATION DELAY vs SUPPLY VOLTAGE

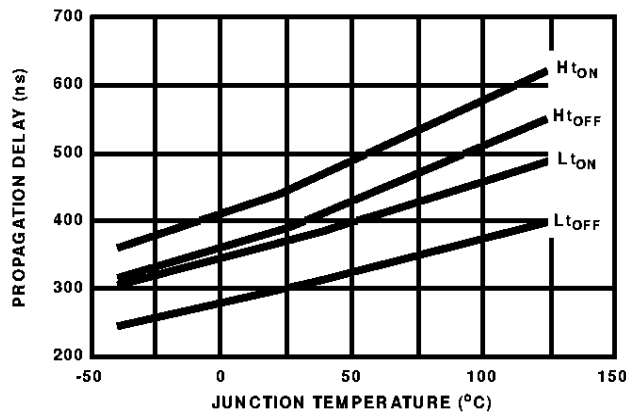
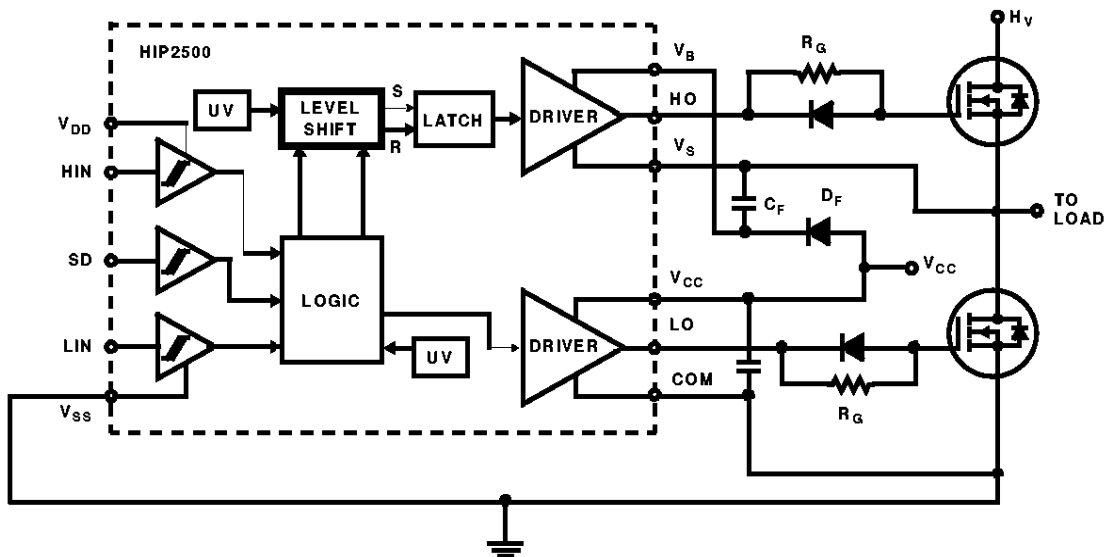
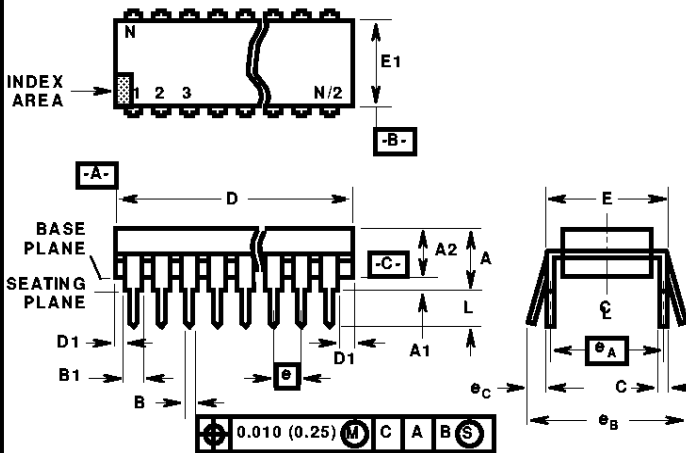


FIGURE 15. PROPAGATION DELAYS AT $V_{CC} = 15V$

Typical Application Diagram



Dual-In-Line Plastic Packages (PDIP)



E14.3 (JEDEC MS-001-AA ISSUE D)
14 LEAD DUAL-IN-LINE PLASTIC PACKAGE

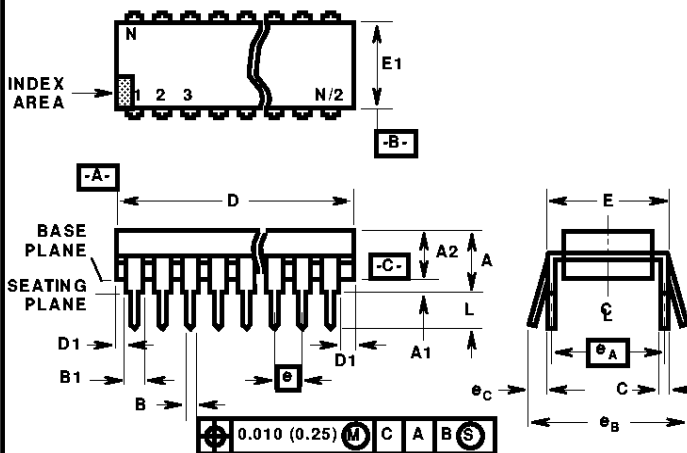
SYMBOL	INCHES		MILLIMETERS		NOTES
	MIN	MAX	MIN	MAX	
A	-	0.210	-	5.33	4
A1	0.015	-	0.39	-	4
A2	0.115	0.195	2.93	4.95	-
B	0.014	0.022	0.356	0.558	-
B1	0.045	0.070	1.15	1.77	8
C	0.008	0.014	0.204	0.355	-
D	0.735	0.775	18.66	19.68	5
D1	0.005	-	0.13	-	5
E	0.300	0.325	7.62	8.25	6
E1	0.240	0.280	6.10	7.11	5
e	0.100 BSC		2.54 BSC		-
e _A	0.300 BSC		7.62 BSC		6
e _B	-	0.430	-	10.92	7
L	0.115	0.150	2.93	3.81	4
N	14		14		9

NOTES:

- Controlling Dimensions: INCH. In case of conflict between English and Metric dimensions, the inch dimensions control.
- Dimensioning and tolerancing per ANSI Y14.5M-1982.
- Symbols are defined in the "MO Series Symbol List" in Section 2.2 of Publication No. 95.
- Dimensions A, A1 and L are measured with the package seated in JEDEC seating plane gauge GS-3.
- D, D1, and E1 dimensions do not include mold flash or protrusions. Mold flash or protrusions shall not exceed 0.010 inch (0.25mm).
- E and e_A are measured with the leads constrained to be perpendicular to datum -C-.
- e_B and e_C are measured at the lead tips with the leads unconstrained. e_C must be zero or greater.
- B1 maximum dimensions do not include dambar protrusions. Dambar protrusions shall not exceed 0.010 inch (0.25mm).
- N is the maximum number of terminal positions.
- Corner leads (1, N, N/2 and N/2 + 1) for E8.3, E16.3, E18.3, E28.3, E42.6 will have a B1 dimension of 0.030 - 0.045 inch (0.76 - 1.14mm).

Rev. 0 12/93

Dual-In-Line Plastic Packages (PDIP)



E16.3 (JEDEC MS-001-BB ISSUE D)
16 LEAD DUAL-IN-LINE PLASTIC PACKAGE

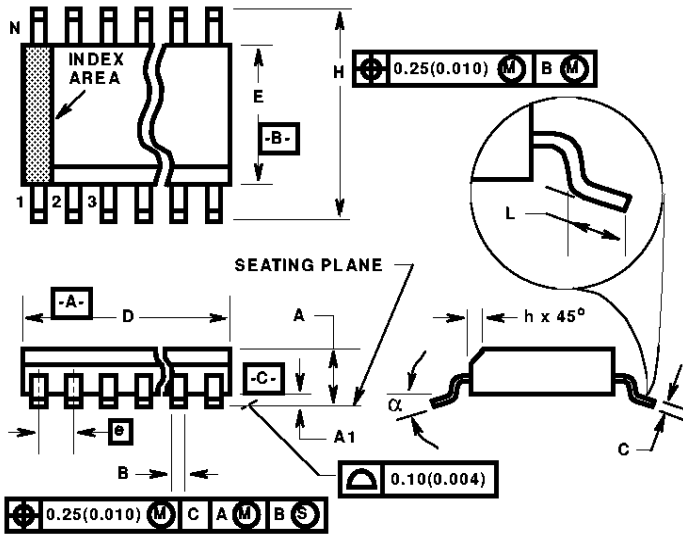
SYMBOL	INCHES		MILLIMETERS		NOTES
	MIN	MAX	MIN	MAX	
A	-	0.210	-	5.33	4
A1	0.015	-	0.39	-	4
A2	0.115	0.195	2.93	4.95	-
B	0.014	0.022	0.356	0.558	-
B1	0.045	0.070	1.15	1.77	8, 10
C	0.008	0.014	0.204	0.355	-
D	0.735	0.775	18.66	19.68	5
D1	0.005	-	0.13	-	5
E	0.300	0.325	7.62	8.25	6
E1	0.240	0.280	6.10	7.11	5
e	0.100 BSC		2.54 BSC		-
e _A	0.300 BSC		7.62 BSC		6
e _B	-	0.430	-	10.92	7
L	0.115	0.150	2.93	3.81	4
N	16		16		9

NOTES:

- Controlling Dimensions: INCH. In case of conflict between English and Metric dimensions, the inch dimensions control.
- Dimensioning and tolerancing per ANSI Y14.5M-1982.
- Symbols are defined in the "MO Series Symbol List" in Section 2.2 of Publication No. 95.
- Dimensions A, A1 and L are measured with the package seated in JEDEC seating plane gauge GS-3.
- D, D1, and E1 dimensions do not include mold flash or protrusions. Mold flash or protrusions shall not exceed 0.010 inch (0.25mm).
- E and e_A are measured with the leads constrained to be perpendicular to datum -C-.
- e_B and e_C are measured at the lead tips with the leads unconstrained. e_C must be zero or greater.
- B1 maximum dimensions do not include dambar protrusions. Dambar protrusions shall not exceed 0.010 inch (0.25mm).
- N is the maximum number of terminal positions.
- Corner leads (1, N, N/2 and N/2 + 1) for E8.3, E16.3, E18.3, E28.3, E42.6 will have a B1 dimension of 0.030 - 0.045 inch (0.76 - 1.14mm).

Rev. 0 12/93

Small Outline Plastic Packages (SOIC)



M16.3 (JEDEC MS-013-AA ISSUE C)

16 LEAD WIDE BODY SMALL OUTLINE PLASTIC PACKAGE

SYMBOL	INCHES		MILLIMETERS		NOTES
	MIN	MAX	MIN	MAX	
A	0.0926	0.1043	2.35	2.65	-
A1	0.0040	0.0118	0.10	0.30	-
B	0.013	0.0200	0.33	0.51	9
C	0.0091	0.0125	0.23	0.32	-
D	0.3977	0.4133	10.10	10.50	3
E	0.2914	0.2992	7.40	7.60	4
e	0.050 BSC		1.27 BSC		-
H	0.394	0.419	10.00	10.65	-
h	0.010	0.029	0.25	0.75	5
L	0.016	0.050	0.40	1.27	6
N	16		16		7
α	0°	8°	0°	8°	-

NOTES:

1. Symbols are defined in the "MO Series Symbol List" in Section 2.2 of Publication Number 95.
2. Dimensioning and tolerancing per ANSI Y14.5M-1982.
3. Dimension "D" does not include mold flash, protrusions or gate burrs. Mold flash, protrusion and gate burrs shall not exceed 0.15mm (0.006 inch) per side.
4. Dimension "E" does not include interlead flash or protrusions. Interlead flash and protrusions shall not exceed 0.25mm (0.010 inch) per side.
5. The chamfer on the body is optional. If it is not present, a visual index feature must be located within the crosshatched area.
6. "L" is the length of terminal for soldering to a substrate.
7. "N" is the number of terminal positions.
8. Terminal numbers are shown for reference only.
9. The lead width "B", as measured 0.36mm (0.014 inch) or greater above the seating plane, shall not exceed a maximum value of 0.61mm (0.024 inch)
10. Controlling dimension: MILLIMETER. Converted inch dimensions are not necessarily exact.

Rev. 0 12/93

Harris Semiconductor products are sold by description only. Harris Semiconductor reserves the right to make changes in circuit design and/or specifications at any time without notice. Accordingly, the reader is cautioned to verify that data sheets are current before placing orders. Information furnished by Harris is believed to be accurate and reliable. However, no responsibility is assumed by Harris or its subsidiaries for its use; nor for any infringements of patents or other rights of third parties which may result from its use. No license is granted by implication or otherwise under any patent or patent rights of Harris or its subsidiaries.

Sales Office Headquarters

For general information regarding Harris Semiconductor and its products, call **1-800-4-HARRIS**

UNITED STATES

Harris Semiconductor
P. O. Box 883, Mail Stop 53-210
Melbourne, FL 32902
TEL: 1-800-442-7747
(407) 729-4984
FAX: (407) 729-5321

EUROPE

Harris Semiconductor
Mercure Center
100, Rue de la Fusee
1130 Brussels, Belgium
TEL: (32) 2-724-2111

SOUTH ASIA

Harris Semiconductor H.K. Ltd.
13/F Fourseas Building
208-212 Nathan Road
Tsimshatsui, Kowloon
Hong Kong
TEL: (852) 723-6339

NORTH ASIA

Harris K.K.
Kojimachi-Nakata Bldg. 4F
5-3-5 Kojimachi
Chiyoda-ku, Tokyo 102 Japan
TEL: (81) 3-3265-7571
TEL: (81) 3-3265-7572 (Sales)

