

R2J20605ANP

Integrated Driver – MOS FET (DrMOS)

REJ03G1821-0300
Rev.3.00
Feb 26, 2010

Description

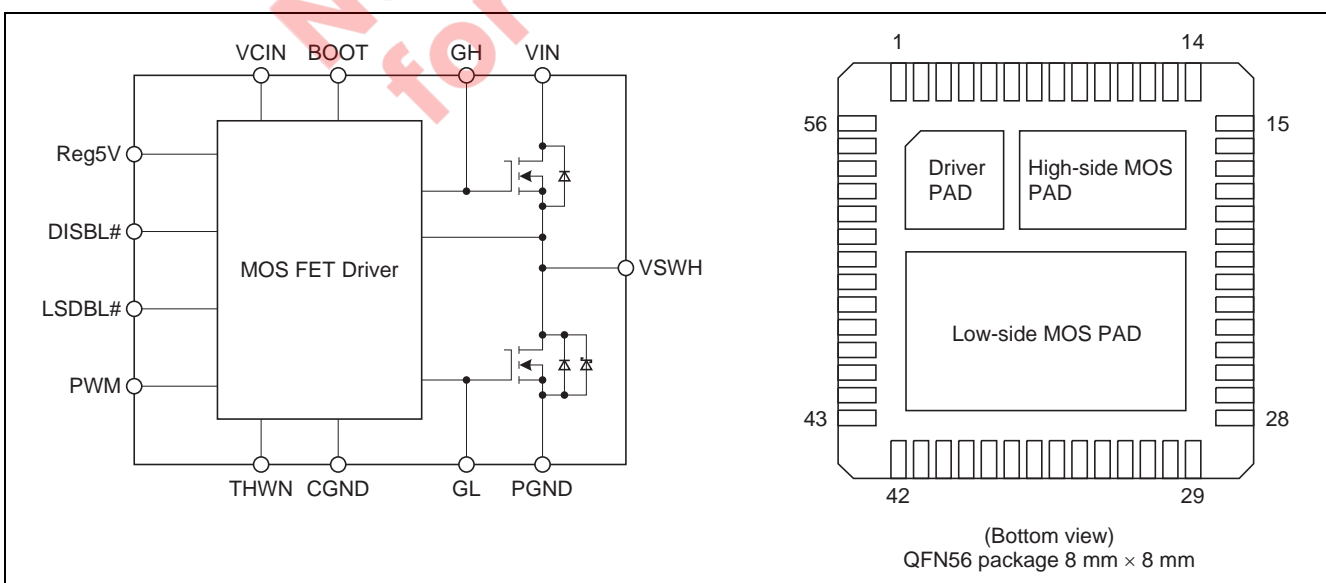
The R2J20605ANP multi-chip module incorporates a high-side MOS FET, low-side MOS FET, and MOS-FET driver in a single QFN package. The on and off timing of the power MOS FET is optimized by the built-in driver, making this device suitable for large-current buck converters. The chip also incorporates a high-side bootstrap switch, eliminating the need for an external SBD for this purpose.

Integrating a driver and both high-side and low-side power MOS FETs, the new device is also compliant with the package standard "integrated Driver – MOS FET (DrMOS)" proposed by Intel Corporation.

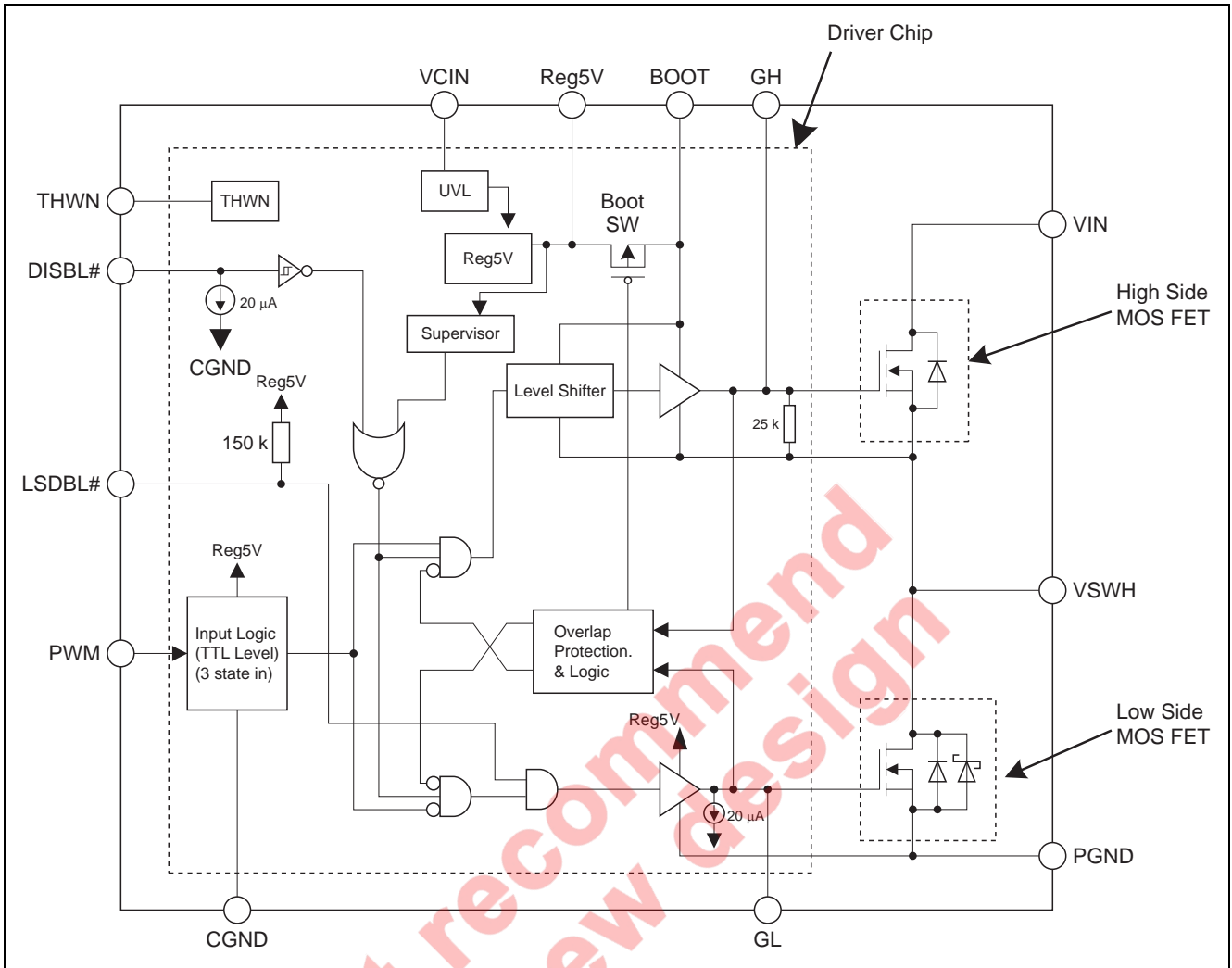
Features

- Built-in power MOS FET suitable for Notebook, Desktop, Server application
- Built-in driver circuit which matches the power MOS FET
- Low-side MOS FET with built-in SBD for lower loss and reduced ringing
- Built-in tri-state input function which can support a number of PWM controllers
- VIN operating-voltage range: 27 V max
- High-frequency operation (above 1 MHz) possible
- Large average output current (Max. 40 A)
- Achieve low power dissipation
- Controllable driver: Remote on/off
- Low-side MOS FET disabled function for DCM operation
- Built-in thermal warning
- Built-in bootstrapping switch
- Small package: QFN56 (8 mm × 8 mm × 0.95 mm)
- Terminal Pb-free/Halogen-free

Outline



Block Diagram



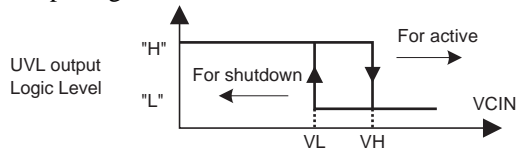
Notes: 1. Truth table for the DISBL# pin.

DISBL# Input	Driver Chip Status
"L"	Shutdown (GL, GH = "L")
"Open"	Shutdown (GL, GH = "L")
"H"	Enable (GL, GH = "Active")

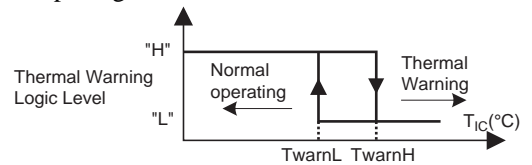
2. Truth table for the LSDBL# pin.

LSDBL# Input	GL Status
"L"	"L"
"Open"	"Active"
"H"	"Active"

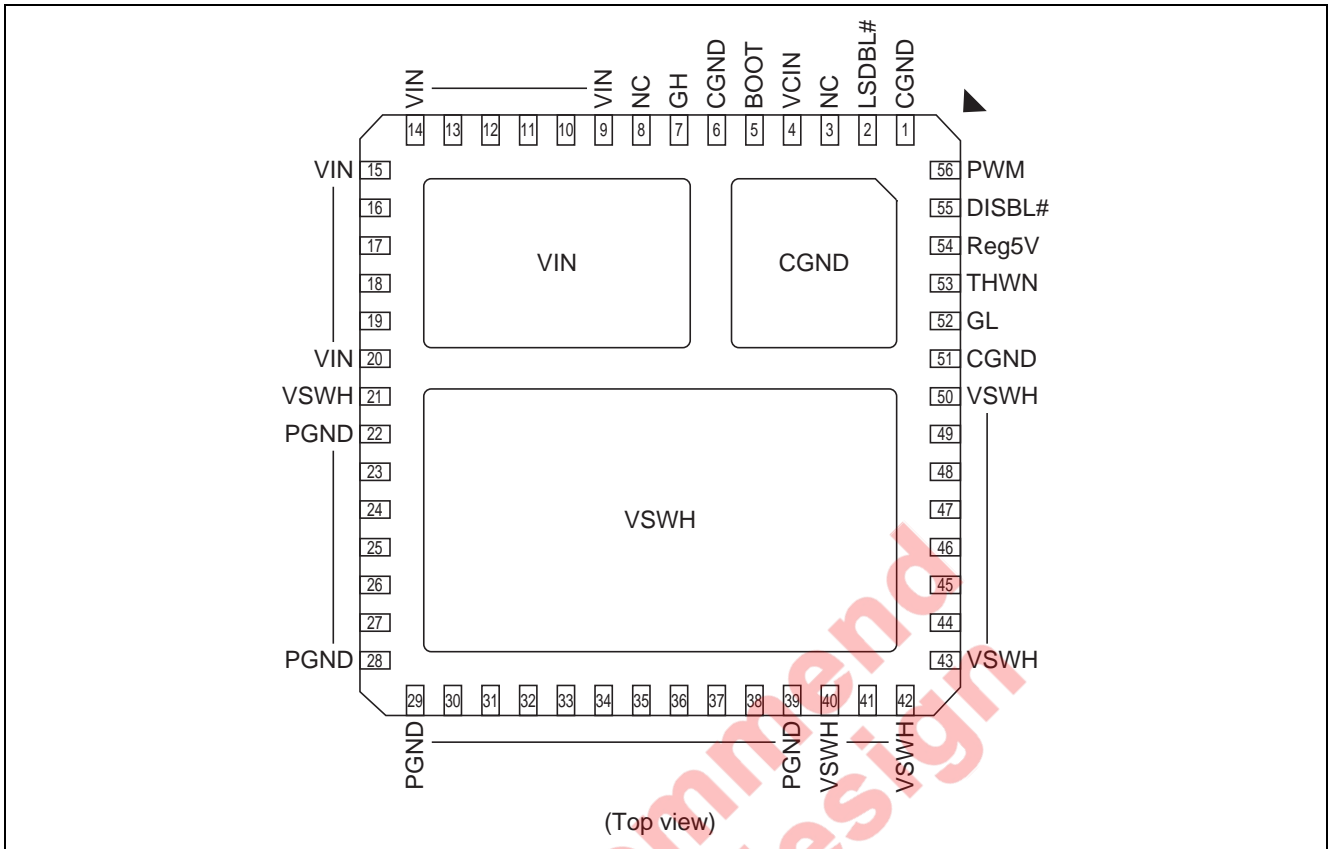
3. Output signal from the UVL block



4. Output signal from the THWN block



Pin Arrangement



Note: All die-pads (three pads in total) should be soldered to PCB.

Pin Description

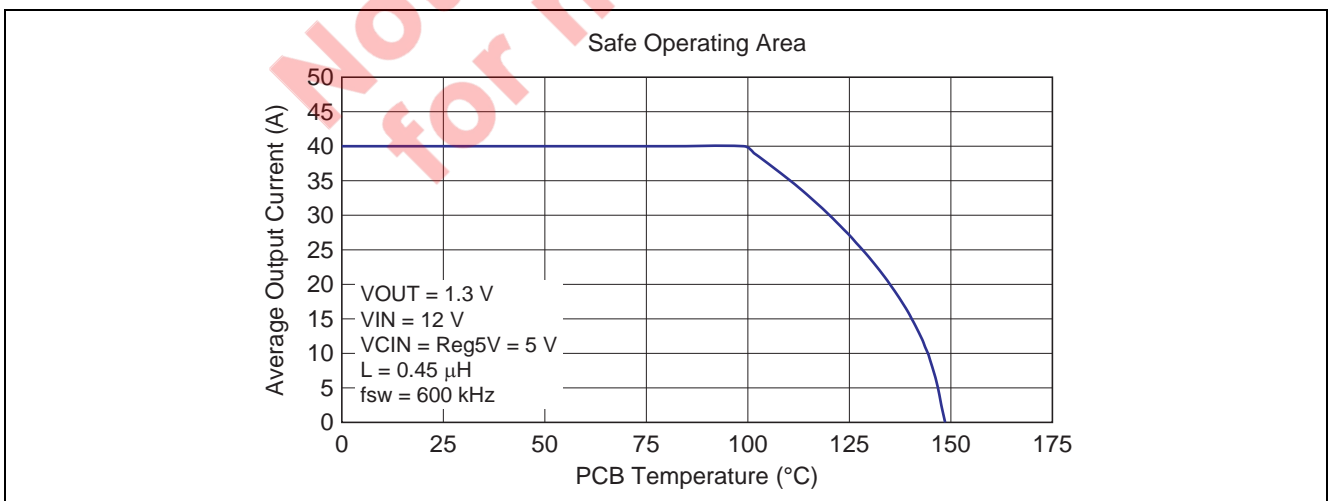
Pin Name	Pin No.	Description	Remarks
CGND	1, 6, 51, Pad	Control signal ground	Should be connected to PGND externally
LSDBL#	2	Low-side gate disable	When asserted "L" signal, Low-side gate disable
NC	3, 8	No connect	
VCIN	4	Control input voltage	Driver Vcc input
BOOT	5	Bootstrap voltage pin	To be supplied +5 V through internal BOOT SW
GH	7	High-side gate signal	Pin for Monitor
VIN	9 to 20, Pad	Input voltage	
VSWH	21, 40 to 50, Pad	Phase output/Switch output	
PGND	22 to 39	Power ground	
GL	52	Low-side gate signal	Pin for Monitor
THWN	53	Thermal warning	
Reg5V	54	+5 V logic power supply output	
DISBL#	55	Signal disable	Disabled when DISBL# is "L"
PWM	56	PWM drive logic input	5 V logic input

Absolute Maximum Ratings

(Ta = 25°C)

Item	Symbol	Rating	Units	Note
Power dissipation	Pt(25)	25	W	1
	Pt(110)	8		
Average output current	Iout	40	A	
Input voltage	VIN(DC)	-0.3 to +27	V	2
	VIN(AC)	30		2, 4, 6
Switch node voltage	VSWH(DC)	27	V	2
	VSWH(AC)	30		2, 4, 6
BOOT voltage	VBOOT(DC)	32	V	2
	VBOOT(AC)	36		2, 4, 6
Supply voltage	VCIN	-0.3 to +27	V	2
PWM voltage	Vpwm	-0.3 to +5.5 @UVL OFF -0.3 to +0.3 @UVL ON -0.3 to Reg5V + 0.3	V	2, 4 2, 5 2, 7, 8
Other I/O voltage	Vdisble, Vlsdbl, Vthwn	-0.3 to VCIN + 0.3	V	2
Reg5V voltage	Vreg5V	-0.3 to +6	V	7
Reg5V current	Ireg5V	-20 to +0.1	mA	3
THWN current	Ithwn	0 to 1.0	mA	3
Operating junction temperature	Tj-opr	-40 to +150	°C	
Storage temperature	Tstg	-55 to +150	°C	

- Notes:
- Pt(25) represents a PCB temperature of 25°C, and Pt(110) represents 110°C.
 - Rated voltages are relative to voltages on the CGND and PGND pins.
 - For rated current, (+) indicates inflow to the chip and (-) indicates outflow.
 - This rating is when UVL (Under Voltage Lock out) is ineffective (normal operation mode).
 - This rating is when UVL (Under Voltage Lock out) is effective (lock out mode).
 - The specification values indicated "AC" are limited within 100 ns.
 - This rating is when the external power-source is applied to Reg5V pin.
 - Reg5V + 0.3 V < 6 V



Recommended Operating Condition

Item	Symbol	Rating	Units	Note
Input voltage	V _{IN}	4.5 to 22	V	When the usage of V _{CIN} = 4.5 V to 5.5 V, V _{CIN} should be connected to Reg5V (Refer to "Pin Connection")
Supply voltage	V _{CIN}	4.5 to 5.5 or 8 to 22	V	

Electrical Characteristics

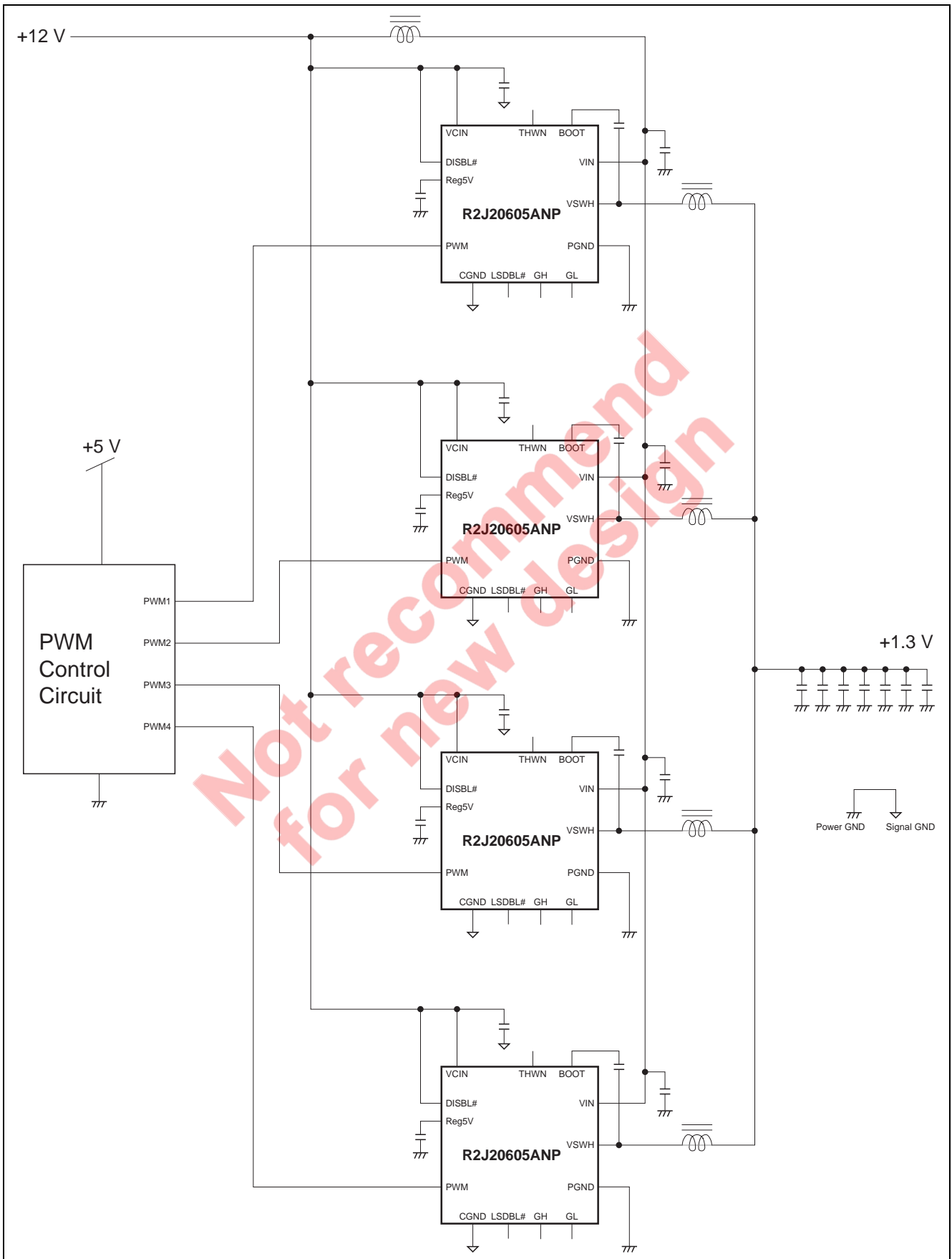
(T_a = 25°C, V_{CIN} = 12 V, V_{SWH} = 0 V, unless otherwise specified)

Item		Symbol	Min	Typ	Max	Units	Test Conditions
Supply	VCIN start threshold	V _H	7.0	7.4	7.8	V	
	VCIN shutdown threshold	V _L	6.6	7.0	7.4	V	
	UVLO hysteresis	dUVL	—	0.4	—	V	V _H - V _L
	VCIN operating current	I _{CIN}	—	52	—	mA	f _{PWM} = 1 MHz, Ton_pwm = 120 ns
	VCIN disable current	I _{CIN-DISBL}	—	—	2.5	mA	DISBL# = 0 V, PWM = 0 V, LSDBL# = Open
PWM input	PWM rising threshold	V _{H-PWM}	3.0	3.4	3.8	V	
	PWM falling threshold	V _{L-PWM}	0.9	1.2	1.5	V	
	PWM input resistance	R _{IN-PWM}	10	20	40	kΩ	PWM = 1 V
	Tri-state shutdown window	V _{IN-SD}	V _{L-PWM}	—	V _{H-PWM}	V	
	Shutdown hold-off time	t _{HOLD-OFF} *1	—	100	—	ns	
5 V regulator	Output voltage	V _{reg}	4.95	5.2	5.45	V	
	Line regulation	V _{reg-line}	-10	0	10	mV	V _{CIN} = 12 V to 16 V
	Load regulation	V _{reg-load}	-10	0	10	mV	I _{reg} = 0 to 10 mA
DISBL# input	Disable threshold	V _{DISBL}	0.9	1.2	1.5	V	
	Enable threshold	V _{ENBL}	1.9	2.4	2.9	V	
	Input current	I _{DISBL}	10	20	40	μA	DISBL# = 1 V
LSDBL# input	Low-side activation threshold	V _{LSDBLH}	1.9	2.4	2.9	V	
	Low-side disable threshold	V _{LSDBLL}	0.9	1.2	1.5	V	
	Input current	I _{LSDBL}	-56	-28	-14	μA	LSDBL# = 1 V
Thermal warning	Warning temperature	T _{THWN} *1	95	115	135	°C	Driver IC temperature
	Temperature hysteresis	T _{HYS} *1	—	15	—	°C	
	THWN on resistance	R _{THWN} *1	0.2	0.5	1.0	kΩ	THWN = 0.2 V
	THWN leakage current	I _{LEAK}	—	0.001	1.0	μA	THWN = 5 V

Note: 1. Reference values for design. Not 100% tested in production.

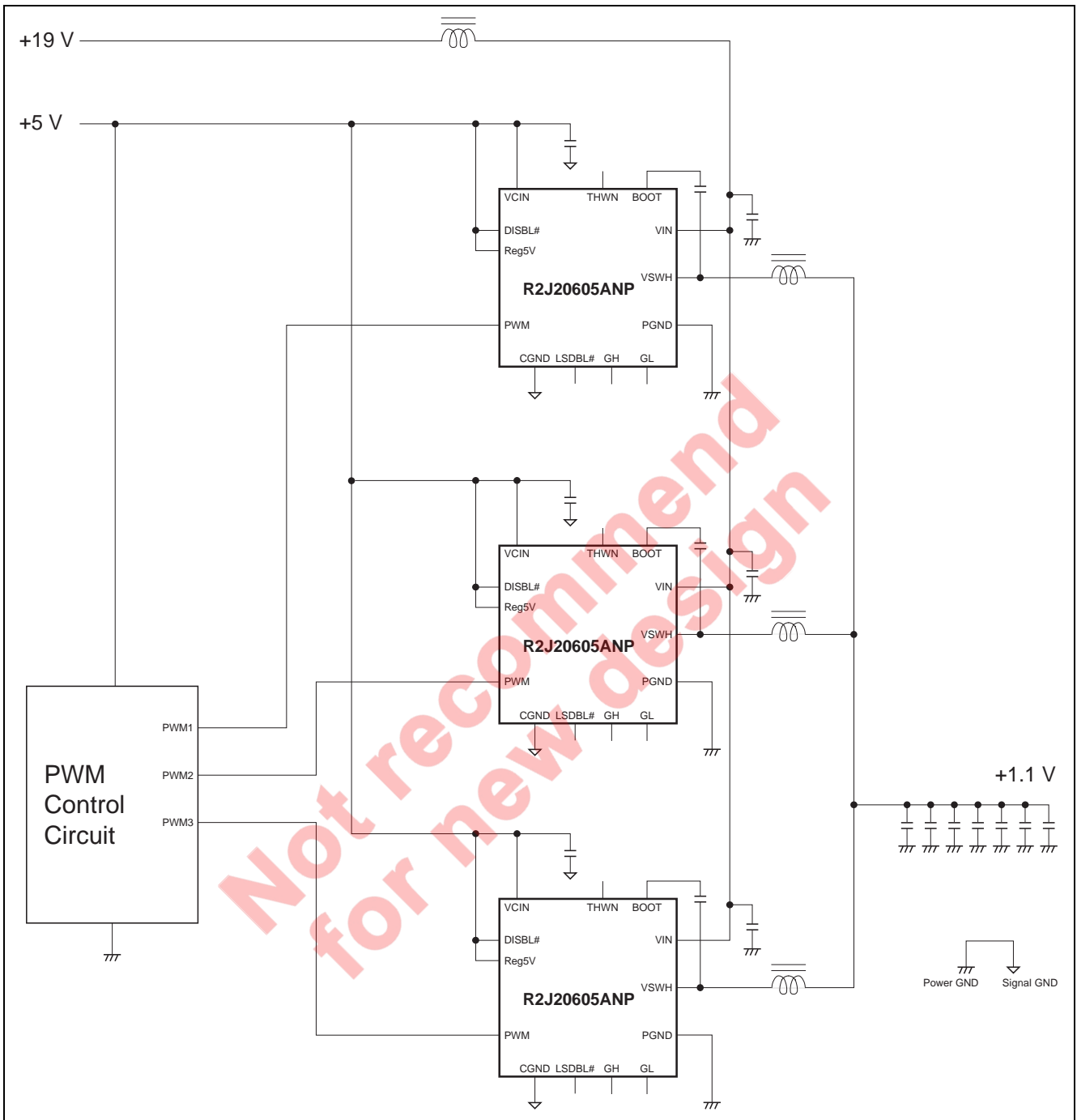
Typical Application

(1) Desktop/Server Application

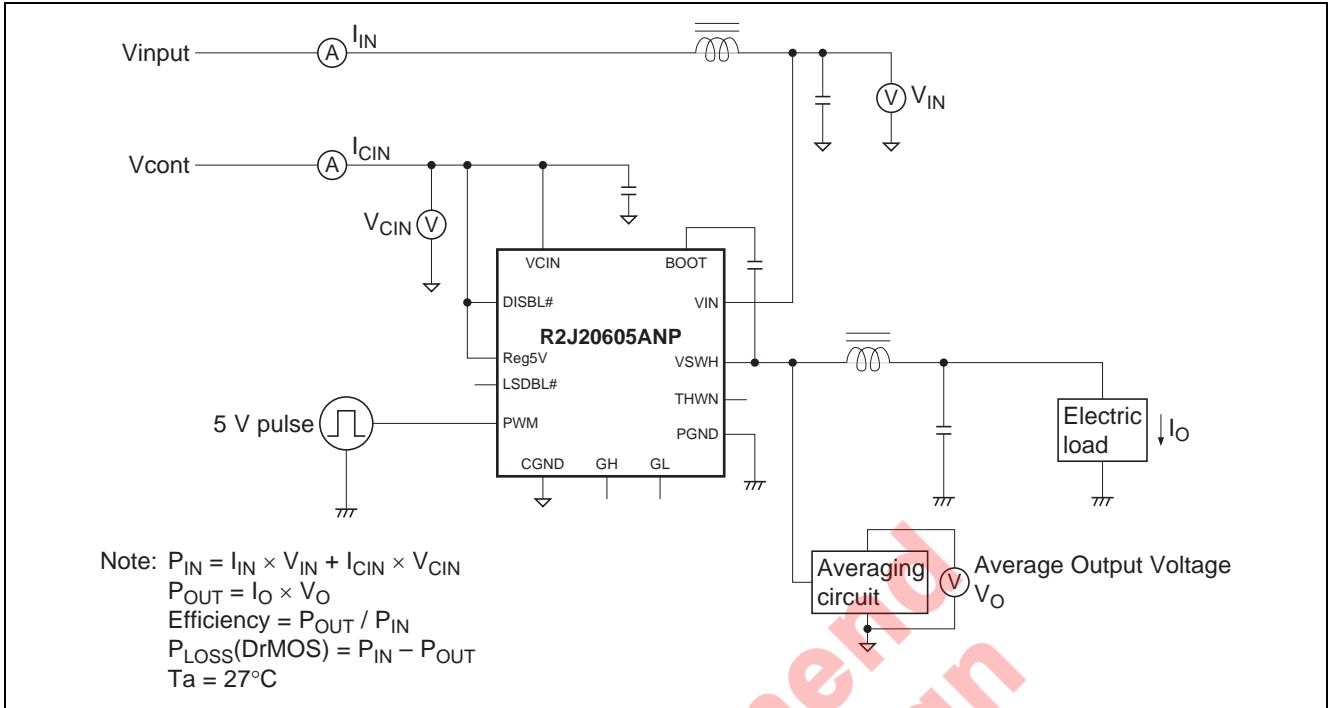


Typical Application (cont.)

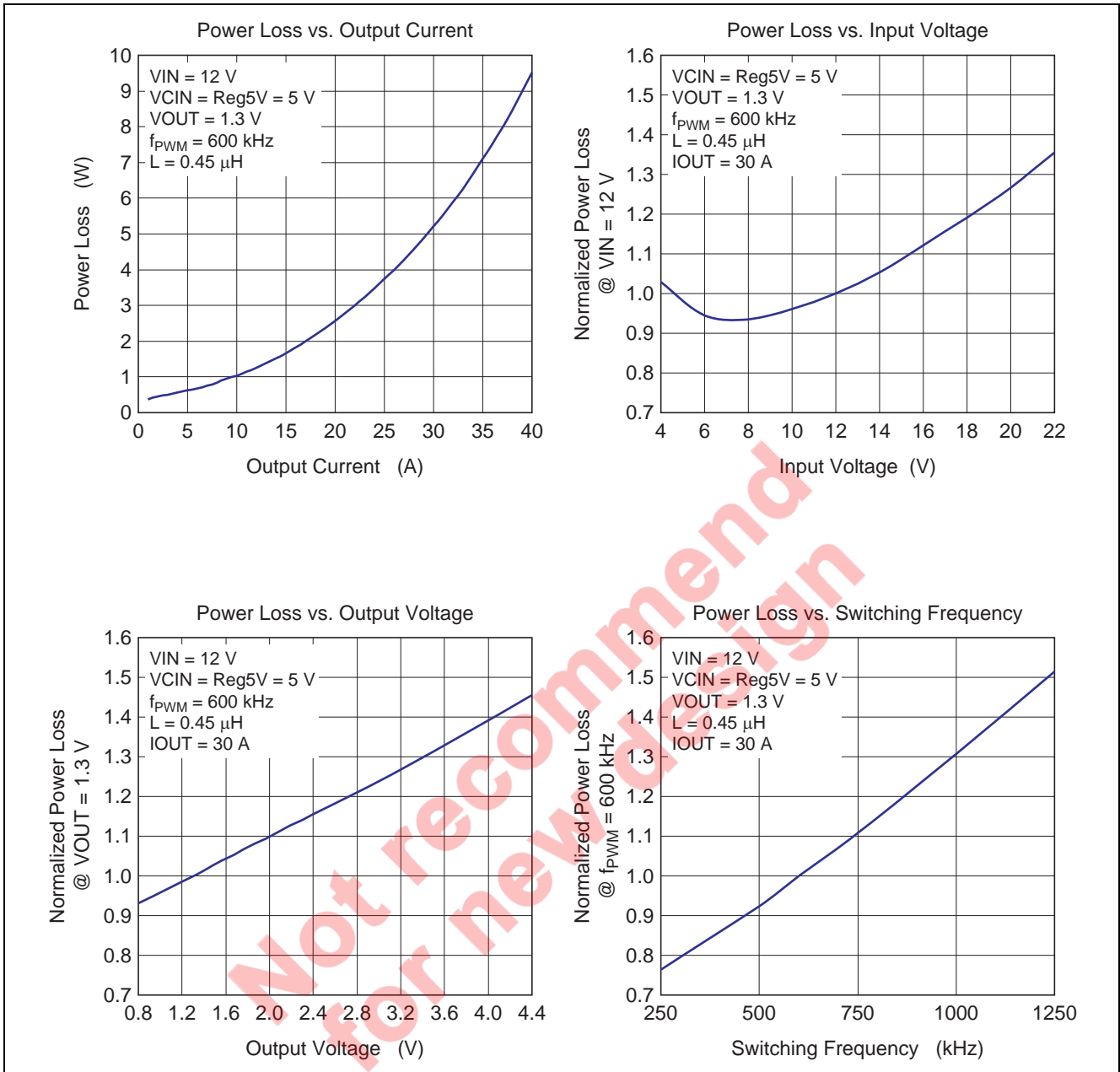
(2) Notebook Application



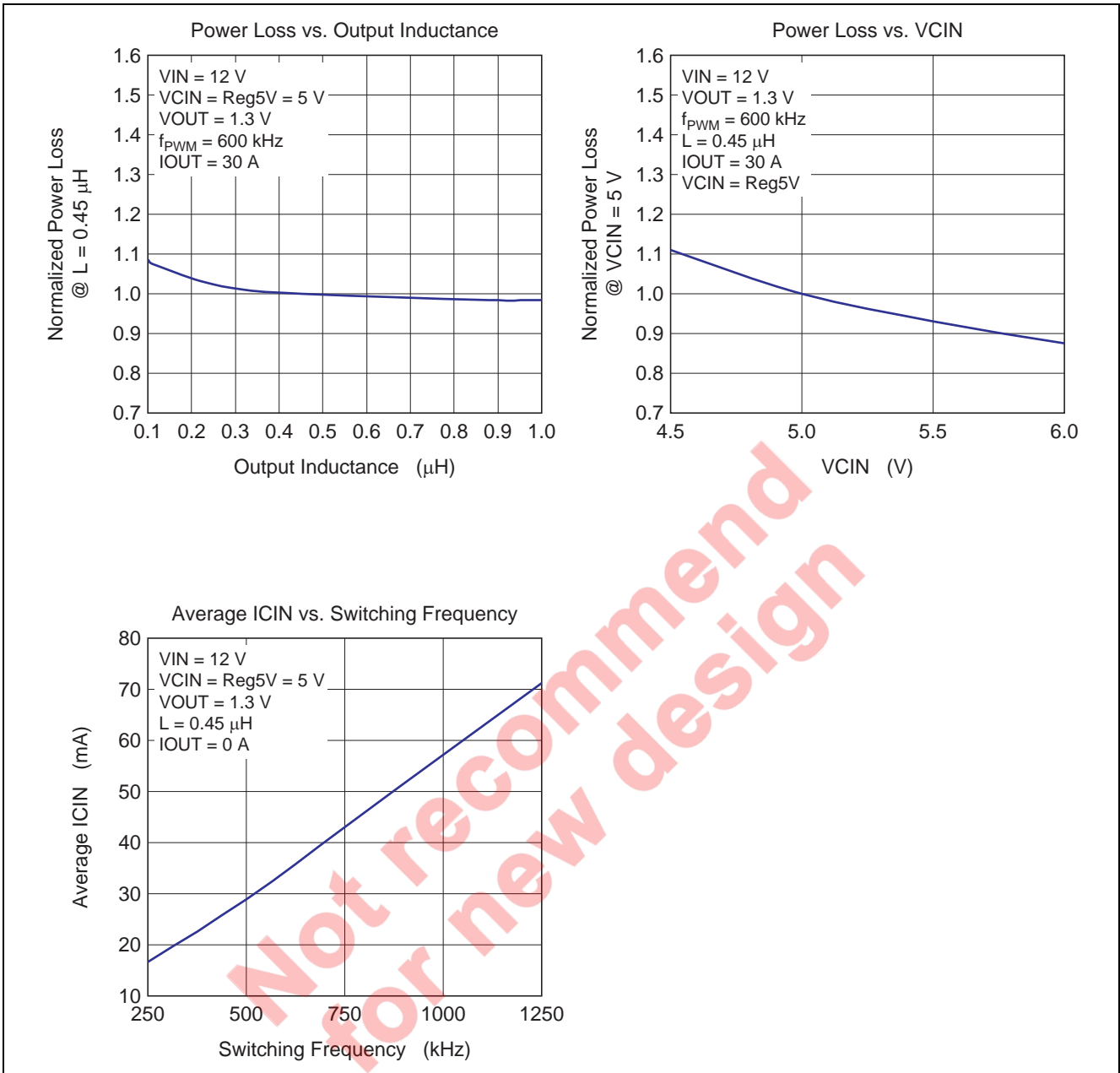
Test Circuit



Typical Data



Typical Data (cont.)



Description of Operation

The DrMOS multi-chip module incorporates a high-side MOS FET, low-side MOS FET, and MOS-FET driver in a single QFN package. Since the parasitic inductance between each chip is extremely small, the module is highly suitable for use in buck converters to be operated at high frequencies. The control timing between the high-side MOS FET, low-side MOS FET, and driver is optimized so that high efficiency can be obtained at low output-voltage.

VCIN & DISBL#

The VCIN pin is connected to the UVL (under-voltage lockout) module, so that the built-in 5 V regulator is disabled as long as VCIN is 7.4 V or less. On cancellation of UVL, the built-in 5 V regulator remains enabled until the UVL input is driven to 7.0 V or less.

The built-in 5 V regulator is a series regulator with temperature compensation. A ceramic capacitor with a value of 0.1 μ F or more must be connected between the CGND plane and the Reg5V Pin.

The output of 5 V regulator is monitored by the internal Supervisor circuits. When the Supervisor detects this output is more than 4.2 V (typ.), the driver state becomes active (figure1.1).

Figure 1.2 shows the application when the external 5 V regulator is used. When the Reg5V pin is applied into external 5 V, the Supervisor can activate the driver. In this application usage, VCIN should be connected to Reg5V.

The signal on pin DISBL# also enables or disables the circuit. When UVL disables the circuit, the built-in 5 V regulator does not operate, but when the signal on DISBL# disables the circuit, only output-pulse generation is terminated, and the 5 V regulator is not disabled.

Voltages from -0.3 V to VCIN + 0.3 V can be applied to the DISBL# pin, so on/off control by a logic IC or the use of a resistor, etc., to pull the DISBL# line up to VCIN are both possible.

VCIN	DISBL#	REG5V	Driver State
L	*	0	Disable (GL, GH = L)
H	L	Active	Disable (GL, GH = L)
H	H	Active	Active
H	Open	Active	Disable (GL, GH = L)

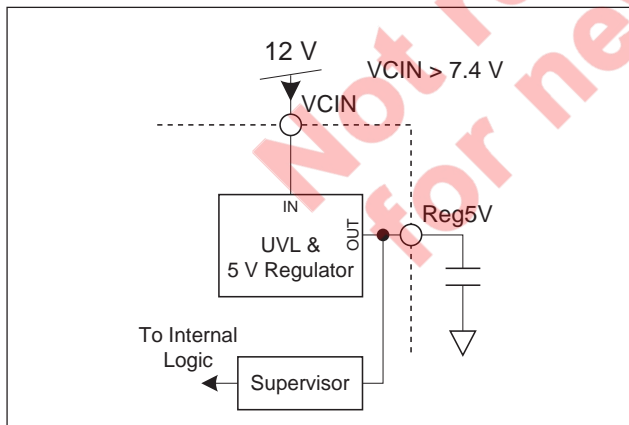


Figure 1.1 Typical 12 V Input Application
(Activate Built-in 5 V Regulator)

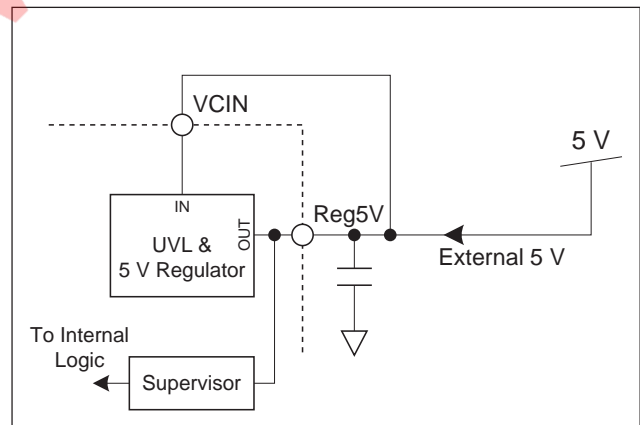


Figure 1.2 External 5 V Application

PWM & LSDBL#

The PWM pin is the signal input pin for the driver chip. When the PWM input is high, the gate of the high-side MOS FET (GH) is high and the gate of the low-side MOS FET (GL) is low.

PWM	GH	GL
L	L	H
H	H	L

The LSDBL# pin is the Low Side Gate Disable pin for "Discontinuous Conduction Mode (DCM)" when LSDBL# is low.

Figure 2 shows the Typical high side and low side gate switching and Inductor current (IL) during "Continuous Conduction Mode (CCM)" and low side gate disabled when asserting LSDBL# signal.

This pin is internally pulled up to Reg5V with 150 kΩ resistor.

When low side disable function is not used, keep this pin open or pulled up to VCIN.

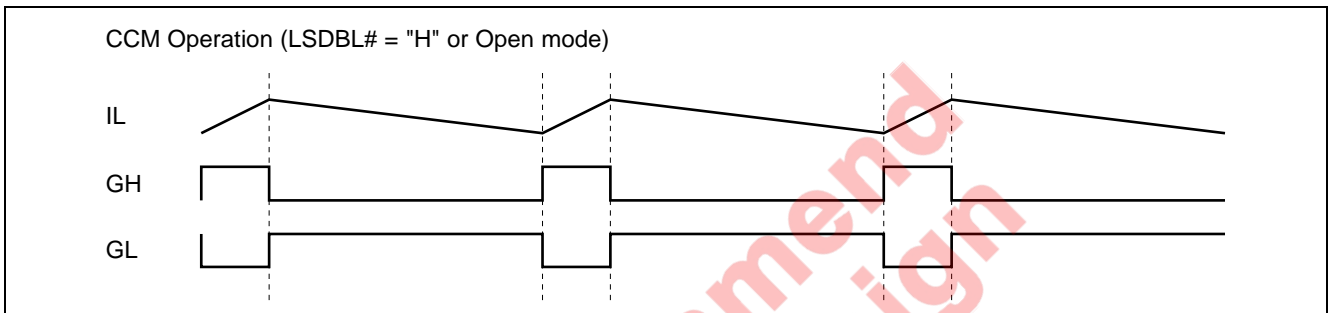


Figure 2.1 Typical Signals during CCM

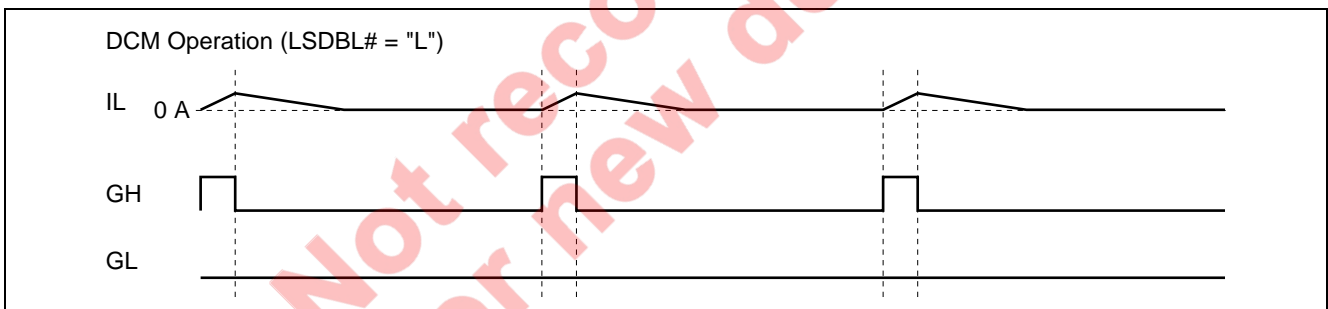


Figure 2.2 Typical Signals during DCM

The PWM input is TTL level and has hysteresis. When the PWM input signal is abnormal, e.g., when the signal route from the control IC is abnormal, the tri-state function turns off the high- and low-side MOS FETs. This function operates when the PWM input signal stays in the input hysteresis window for 100 ns (typ.). After the tri-state mode has been entered and GH and GL have become low, a PWM input voltage of 3.4 V or more is required to make the circuit return to normal operation.

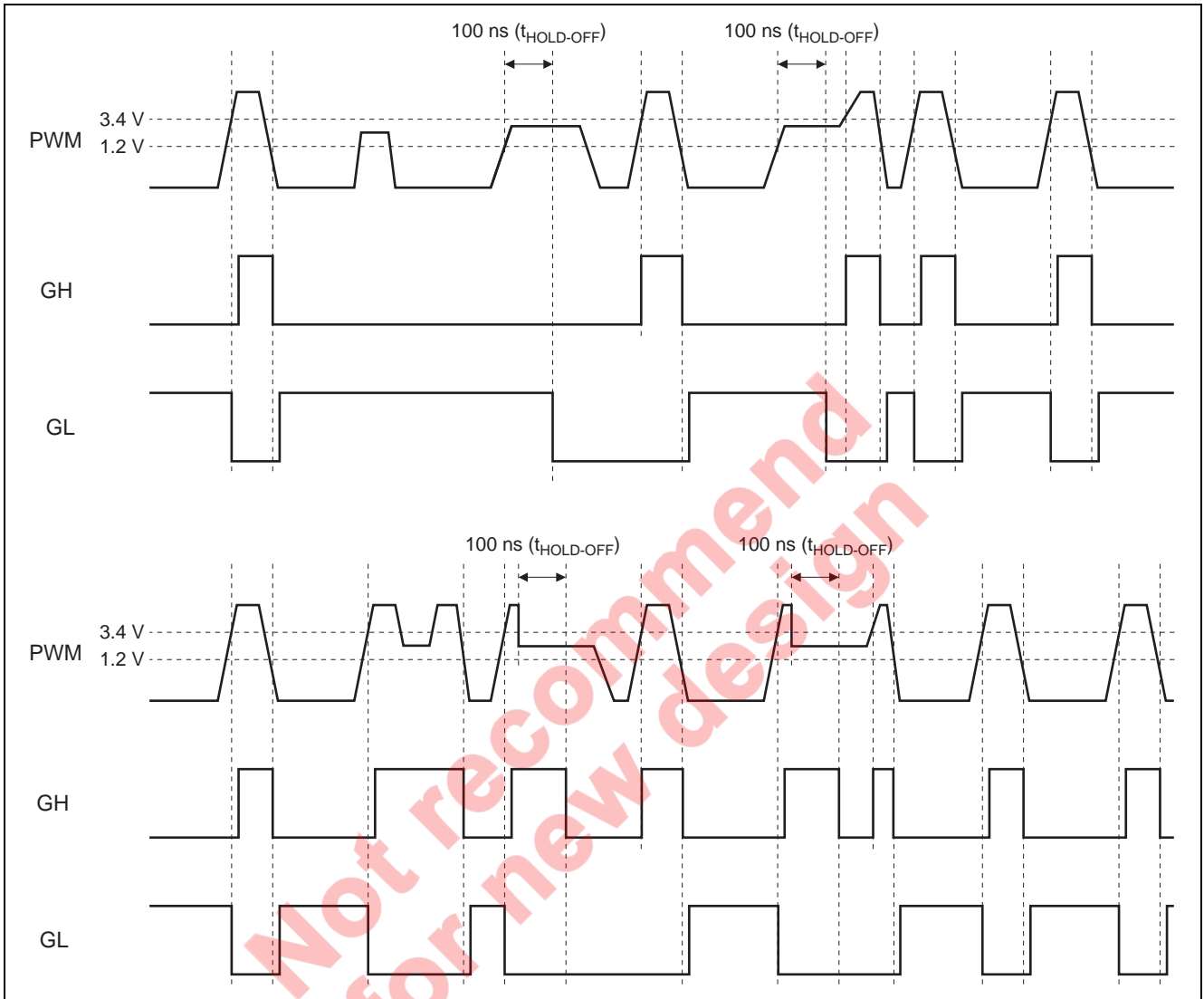


Figure 3 PWM Shutdown-Hold Time Signal

The equivalent circuit for the PWM-pin input is shown in the next figure. M1 is in the ON state during normal operation; after the PWM input signal has stayed in the hysteresis window for 100 ns (typ.) and the tri-state detection signal has been driven high, the transistor M1 is turned off.

When VCIN is powered up, M1 is started in the OFF state regardless of PWM Low or Open state. After PWM is asserted high signal, M1 becomes ON and shifts to normal operation.

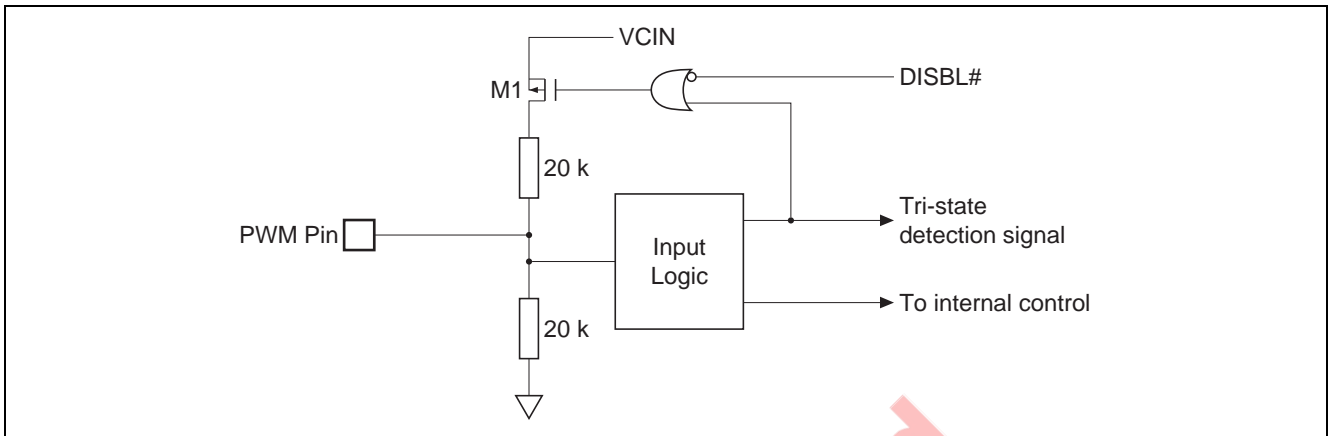


Figure 4 Equivalent Circuit for the PWM-pin Input

THWN

This Thermal Warning feature is the indication of the high temperature status.

THWN is an open drain logic output signal and need to connect a pull-up resistor (ex.51 kΩ) to THWN for Systems with the thermal warning implementation.

When the chip temperature of the internal driver IC becomes over 115°C, Thermal warning function operates.

This signal is only indication for the system controller and does not disable DrMOS operation.

When thermal warning function is not used, keep this pin open.

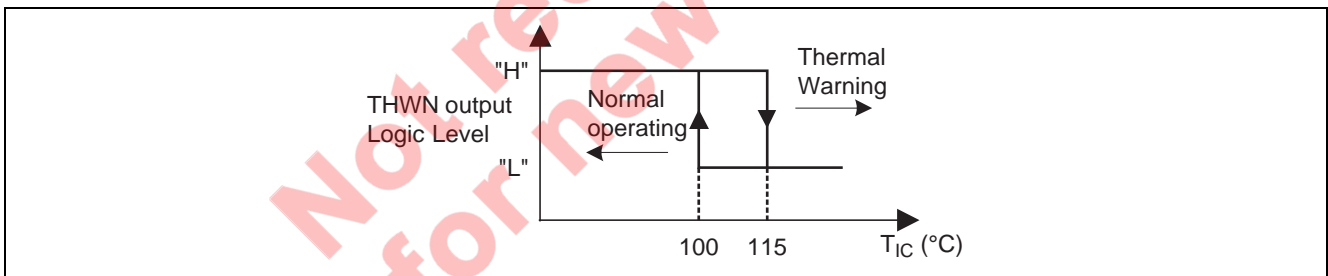
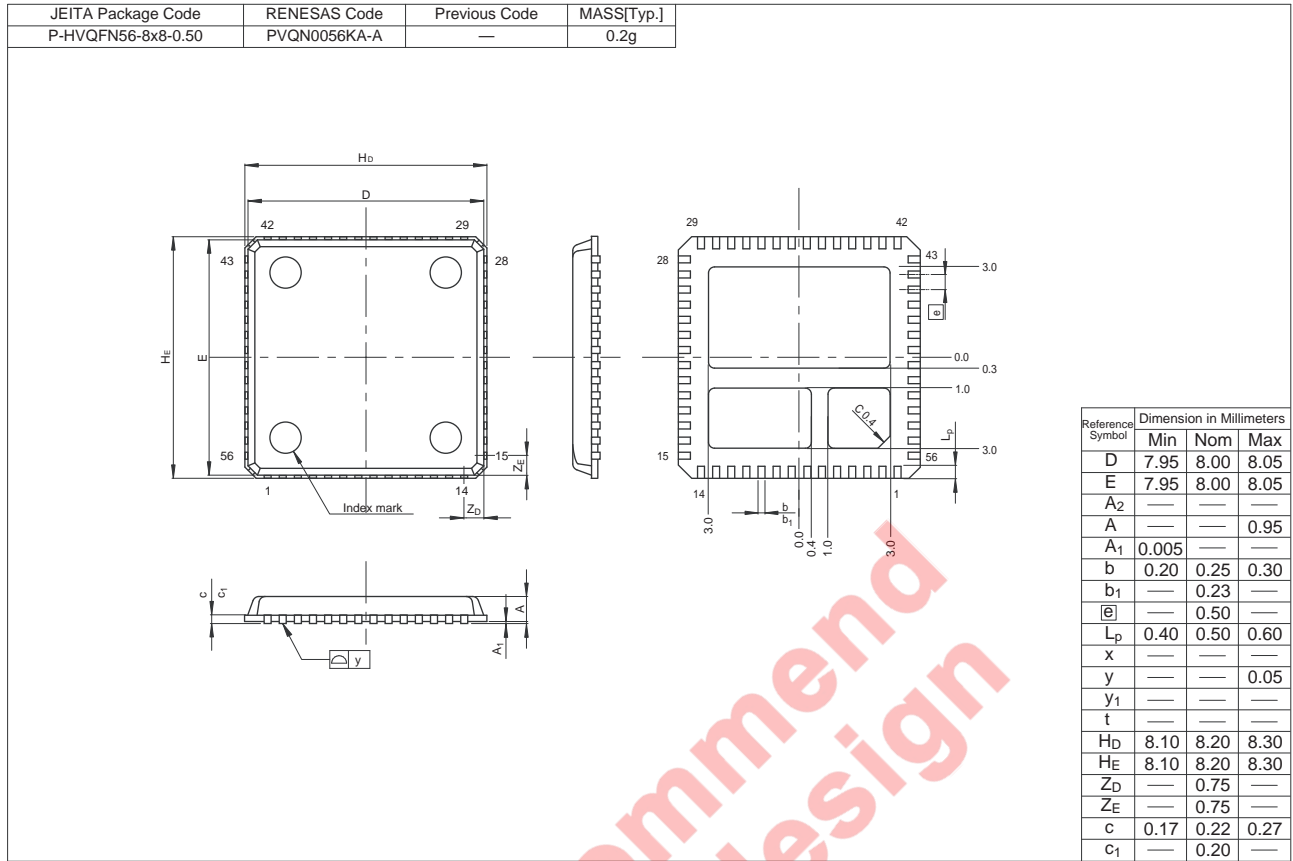


Figure 5

MOS FETs

The MOS FETs incorporated in R2J20605ANP are highly suitable for synchronous-rectification buck conversion. For the high-side MOS FET, the drain is connected to the VIN pin and the source is connected to the VSWH pin. For the low-side MOS FET, the drain is connected to the VSWH pin and the source is connected to the PGND pin.

Package Dimensions



Ordering Information

Part Name	Quantity	Shipping Container
R2J20605ANP#G3	2500 pcs	Taping Reel

Notice

- All information included in this document is current as of the date this document is issued. Such information, however, is subject to change without any prior notice. Before purchasing or using any Renesas Electronics products listed herein, please confirm the latest product information with a Renesas Electronics sales office. Also, please pay regular and careful attention to additional and different information to be disclosed by Renesas Electronics such as that disclosed through our website.
- Renesas Electronics does not assume any liability for infringement of patents, copyrights, or other intellectual property rights of third parties by or arising from the use of Renesas Electronics products or technical information described in this document. No license, express, implied or otherwise, is granted hereby under any patents, copyrights or other intellectual property rights of Renesas Electronics or others.
- You should not alter, modify, copy, or otherwise misappropriate any Renesas Electronics product, whether in whole or in part.
- Descriptions of circuits, software and other related information in this document are provided only to illustrate the operation of semiconductor products and application examples. You are fully responsible for the incorporation of these circuits, software, and information in the design of your equipment. Renesas Electronics assumes no responsibility for any losses incurred by you or third parties arising from the use of these circuits, software, or information.
- When exporting the products or technology described in this document, you should comply with the applicable export control laws and regulations and follow the procedures required by such laws and regulations. You should not use Renesas Electronics products or the technology described in this document for any purpose relating to military applications or use by the military, including but not limited to the development of weapons of mass destruction. Renesas Electronics products and technology may not be used for or incorporated into any products or systems whose manufacture, use, or sale is prohibited under any applicable domestic or foreign laws or regulations.
- Renesas Electronics has used reasonable care in preparing the information included in this document, but Renesas Electronics does not warrant that such information is error free. Renesas Electronics assumes no liability whatsoever for any damages incurred by you resulting from errors in or omissions from the information included herein.
- Renesas Electronics products are classified according to the following three quality grades: "Standard", "High Quality", and "Specific". The recommended applications for each Renesas Electronics product depends on the product's quality grade, as indicated below. You must check the quality grade of each Renesas Electronics product before using it in a particular application. You may not use any Renesas Electronics product for any application categorized as "Specific" without the prior written consent of Renesas Electronics. Further, you may not use any Renesas Electronics product for any application for which it is not intended without the prior written consent of Renesas Electronics. Renesas Electronics shall not be in any way liable for any damages or losses incurred by you or third parties arising from the use of any Renesas Electronics product for an application categorized as "Specific" or for which the product is not intended where you have failed to obtain the prior written consent of Renesas Electronics. The quality grade of each Renesas Electronics product is "Standard" unless otherwise expressly specified in a Renesas Electronics data sheets or data books, etc.
"Standard": Computers; office equipment; communications equipment; test and measurement equipment; audio and visual equipment; home electronic appliances; machine tools; personal electronic equipment; and industrial robots.
"High Quality": Transportation equipment (automobiles, trains, ships, etc.); traffic control systems; anti-disaster systems; anti-crime systems; safety equipment; and medical equipment not specifically designed for life support.
"Specific": Aircraft; aerospace equipment; submersible repeaters; nuclear reactor control systems; medical equipment or systems for life support (e.g. artificial life support devices or systems), surgical implantations, or healthcare intervention (e.g. excision, etc.), and any other applications or purposes that pose a direct threat to human life.
- You should use the Renesas Electronics products described in this document within the range specified by Renesas Electronics, especially with respect to the maximum rating, operating supply voltage range, movement power voltage range, heat radiation characteristics, installation and other product characteristics. Renesas Electronics shall have no liability for malfunctions or damages arising out of the use of Renesas Electronics products beyond such specified ranges.
- Although Renesas Electronics endeavors to improve the quality and reliability of its products, semiconductor products have specific characteristics such as the occurrence of failure at a certain rate and malfunctions under certain use conditions. Further, Renesas Electronics products are not subject to radiation resistance design. Please be sure to implement safety measures to guard them against the possibility of physical injury, and injury or damage caused by fire in the event of the failure of a Renesas Electronics product, such as safety design for hardware and software including but not limited to redundancy, fire control and malfunction prevention, appropriate treatment for aging degradation or any other appropriate measures. Because the evaluation of microcomputer software alone is very difficult, please evaluate the safety of the final products or system manufactured by you.
- Please contact a Renesas Electronics sales office for details as to environmental matters such as the environmental compatibility of each Renesas Electronics product. Please use Renesas Electronics products in compliance with all applicable laws and regulations that regulate the inclusion or use of controlled substances, including without limitation, the EU RoHS Directive. Renesas Electronics assumes no liability for damages or losses occurring as a result of your noncompliance with applicable laws and regulations.
- This document may not be reproduced or duplicated, in any form, in whole or in part, without prior written consent of Renesas Electronics.
- Please contact a Renesas Electronics sales office if you have any questions regarding the information contained in this document or Renesas Electronics products, or if you have any other inquiries.
(Note 1) "Renesas Electronics" as used in this document means Renesas Electronics Corporation and also includes its majority-owned subsidiaries.
(Note 2) "Renesas Electronics product(s)" means any product developed or manufactured by or for Renesas Electronics.



SALES OFFICES

Renesas Electronics Corporation

<http://www.renesas.com>

Refer to "<http://www.renesas.com/>" for the latest and detailed information.

Renesas Electronics America Inc.
2880 Scott Boulevard Santa Clara, CA 95050-2554, U.S.A.
Tel: +1-408-588-6000, Fax: +1-408-588-6130

Renesas Electronics Canada Limited
1101 Nicholson Road, Newmarket, Ontario L3Y 9C3, Canada
Tel: +1-905-898-5441, Fax: +1-905-898-3220

Renesas Electronics Europe Limited
Dukes Meadow, Millboard Road, Bourne End, Buckinghamshire, SL8 5FH, U.K
Tel: +44-1628-585-100, Fax: +44-1628-585-900

Renesas Electronics Europe GmbH
Arcadiastrasse 10, 40472 Düsseldorf, Germany
Tel: +49-211-65030, Fax: +49-211-6503-1327

Renesas Electronics (China) Co., Ltd.
7th Floor, Quantum Plaza, No.27 ZhichunLu Haidian District, Beijing 100083, P.R.China
Tel: +86-10-8235-1155, Fax: +86-10-8235-7679

Renesas Electronics (Shanghai) Co., Ltd.
Unit 204, 205, AZIA Center, No.1233 Lujiazui Ring Rd., Pudong District, Shanghai 200120, China
Tel: +86-21-5877-1818, Fax: +86-21-6887-7858 / -7898

Renesas Electronics Hong Kong Limited
Unit 1601-1613, 16/F., Tower 2, Grand Century Place, 193 Prince Edward Road West, Mongkok, Kowloon, Hong Kong
Tel: +852-2886-9318, Fax: +852-2886-9022/9044

Renesas Electronics Taiwan Co., Ltd.
7F, No. 363 Fu Shing North Road Taipei, Taiwan
Tel: +886-2-8175-9600, Fax: +886-2-8175-9670

Renesas Electronics Singapore Pte. Ltd.
1 HarbourFront Avenue, #06-10, Keppel Bay Tower, Singapore 098632
Tel: +65-6213-0200, Fax: +65-6278-8001

Renesas Electronics Malaysia Sdn.Bhd.
Unit 906, Block B, Menara Amcorp, Amcorp Trade Centre, No. 18, Jln Persiaran Barat, 46050 Petaling Jaya, Selangor Darul Ehsan, Malaysia
Tel: +60-3-7955-9390, Fax: +60-3-7955-9510

Renesas Electronics Korea Co., Ltd.
11F., Samik Laviel'or Bldg., 720-2 Yeoksam-Dong, Kangnam-Ku, Seoul 135-080, Korea
Tel: +82-2-558-3737, Fax: +82-2-558-5141