

High Speed Quad MOSFET Driver

Features

- ▶ 6.0ns rise and fall time with 1000pF load
- ▶ 2.0A peak output source/sink current
- ▶ 1.8 to 5.0V input CMOS compatible
- ▶ 5.0 to 12V total supply voltage
- ▶ Smart logic threshold
- ▶ Low jitter design
- ▶ Four matched channels
- ▶ Outputs can swing below ground
- ▶ Output is high impedance when disabled
- ▶ Low inductance package
- ▶ High-performance thermally-enhanced QFN

Applications

- ▶ Medical ultrasound imaging
- ▶ Piezoelectric transducer drivers
- ▶ Non-Destructive Testing (NDT)
- ▶ PIN diode driver
- ▶ CCD Clock driver/buffer
- ▶ High speed level translator

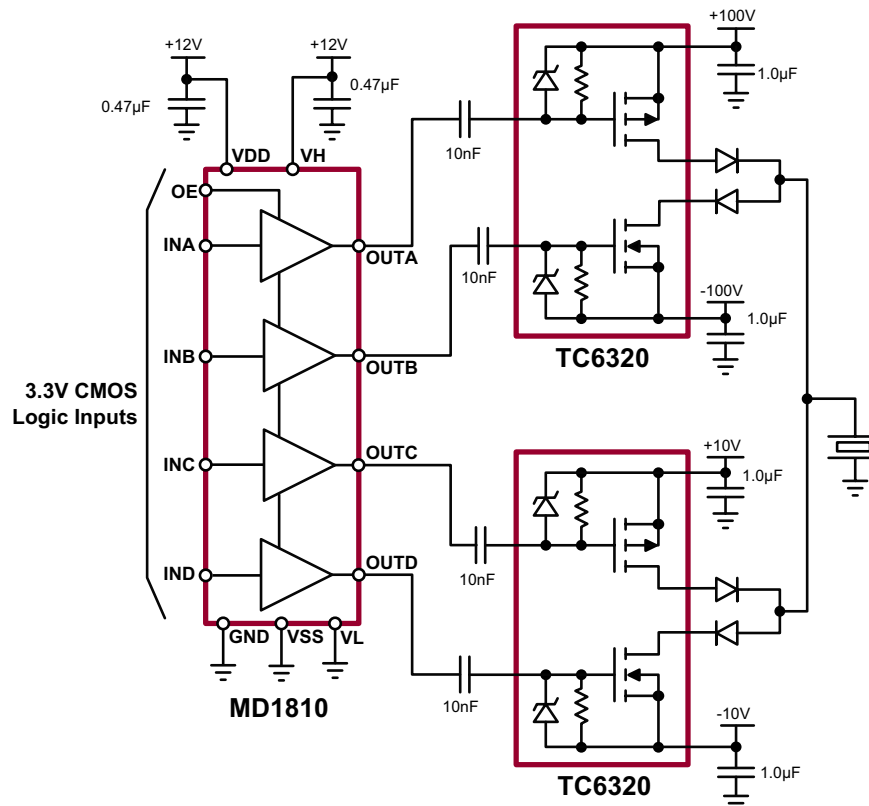
General Description

The Supertex MD1810 is a high-speed quad MOSFET driver. It is designed to drive high voltage P- and N-channel MOSFETs for medical ultrasound imaging applications. The MD1810 can also be used for ultrasound metal flaw detection, Non-Destructive Testing (NDT), piezoelectric transducer drive, clock drive, and PIN diode drive.

The MD1810 has four inputs which individually control four outputs. It also has an output enable (OE) pin. When OE is low, all of the outputs will be in a high impedance state regardless of their logic input control. When OE is high, the MD1810 sets the threshold logic transition to $(V_{OE} + V_{GND})/2$. This ensures the transition to always be at half the amplitude of the logic input signal. This allows the device to have inherent propagation delay matching regardless of the logic input amplitude.

The output stage of the MD1810 has separate power connections enabling the output signal L and H levels to be chosen independently from the V_{DD} and V_{SS} supply voltages. As an example, the input logic levels may be 0 and 1.8V, the control logic may be powered by +5.0 and -5.0V, and the output L and H levels may be varied anywhere over the range of -5.0 to +5.0V. The output stage is capable of peak currents of up to $\pm 2.0A$, depending on the supply voltages used and

Typical Application Circuit



Ordering Information

Device	16-Lead QFN 4.00x4.00mm body 1.00mm height (max) 0.65mm pitch
MD1810	MD1810K6-G

-G indicates package is RoHS compliant ("Green")



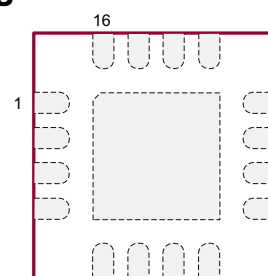
Absolute Maximum Ratings

Parameter	Value
$V_{DD}-V_{SS}$, Logic supply voltage	-0.5V to +13.5V
V_H , Output high supply voltage	$V_L - 0.5V$ to $V_{DD} + 0.5V$
V_L , Output low supply voltage	$V_{SS} - 0.5V$ to $V_H + 0.5V$
V_{SS} , Low side supply voltage	-7.0V to +0.5V
Logic input levels	$V_{SS} - 0.5V$ to GND +7V
Maximum junction temperature	+125°C
Storage temperature	-65°C to 150°C
Operating temperature	-20°C to +85°C
Package power dissipation	2.2W
Thermal resistance (θ_{JA})*	45°C/W

Absolute Maximum Ratings are those values beyond which damage to the device may occur. Functional operation under these conditions is not implied. Continuous operation of the device at the absolute rating level may affect device reliability. All voltages are referenced to device ground.

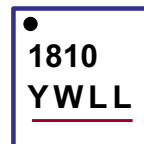
* 1.0oz 4-layer 3x4" PCB

Pin Configuration



16-Lead QFN (K6)
(top view)

Product Marking



Y = Last Digit of Year Sealed
W = Code for Week Sealed
L = Lot Number
— = "Green" Packaging

Package may or may not include the following marks: Si or

16-Lead QFN (K6)

DC Electrical Characteristics ($V_H = V_{DD} = 12V$, $V_L = V_{SS} = GND = 0V$, $V_{OE} = 3.3V$, $T_A = 25^\circ C$)

Sym	Parameter	Min	Typ	Max	Units	Conditions
$V_{DD} - V_{SS}$	Logic supply voltage	4.5	-	13	V	$2.5V \leq V_{DD} \leq 13V$
V_{SS}	Low side supply voltage	-5.5	-	0	V	---
V_H	Output high supply voltage	$V_{SS} + 2$	-	V_{DD}	V	---
V_L	Output low supply voltage	V_{SS}	-	$V_{DD} - 2$	V	---
I_{DDQ}	V_{DD} quiescent current	-	0.8	-	mA	No input transitions, OE = 1
I_{HQ}	V_H quiescent current	-	-	10	μA	
I_{DD}	V_{DD} average current	-	7.0	-	mA	One channel on at 5.0Mhz, No load
I_H	V_H average current	-	18	-	mA	
V_{IH}	Input logic voltage high	$V_{OE} - 0.3$	-	5.0	V	For logic inputs INA, INB, INC, and IND
V_{IL}	Input logic voltage low	0	-	0.3	V	
I_{IH}	Input logic current high	-	-	1.0	μA	
I_{IL}	Input logic current low	-	-	1.0	μA	For logic input OE
V_{IH}	OE input logic voltage high	1.7	-	5.0	V	
V_{IL}	OE input logic voltage low	0	-	0.3	V	
R_{IN}	Input logic impedance to GND	10	20	30	K Ω	---
C_{IN}	Logic input capacitance	-	5.0	10	pF	---

DC Electrical Characteristics (cont.) ($V_H = V_{DD} = 12V$, $V_L = V_{SS} = GND = 0V$, $V_{OE} = 3.3V$, $T_A = 25^\circ C$)

Sym	Parameter	Min	Typ	Max	Units	Conditions
R_{SINK}	Output sink resistance	-	-	12.5	Ω	$I_{SINK} = 50mA$
R_{SOURCE}	Output source resistance	-	-	12.5	Ω	$I_{SOURCE} = 50mA$
I_{SINK}	Peak output sink current	-	2.0	-	A	---
I_{SOURCE}	Peak output source current	-	2.0	-	A	---

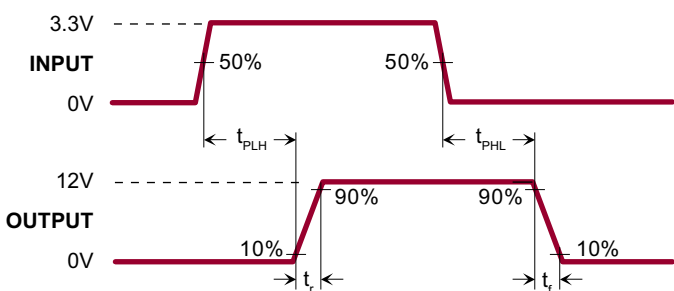
AC Electrical Characteristics ($V_H = V_{DD} = 12V$, $V_L = V_{SS} = GND = 0V$, $V_{OE} = 3.3V$, $T_A = 25^\circ C$)

Sym	Parameter	Min	Typ	Max	Units	Conditions
t_{irf}	Input or OE rise & fall time	-	-	10	ns	Logic input edge speed requirement
t_{PLH}	Propagation delay when output is from low to high	-	7.0	-	ns	$C_{LOAD} = 1000pF$, see timing diagram Input signal rise/fall time 2.0ns
t_{PHL}	Propagation delay when output is from high to low	-	7.0	-	ns	
t_r	Output rise time	-	6.0	-	ns	
t_f	Output fall time	-	6.0	-	ns	
$ t_r - t_f $	Rise and fall time matching	-	1.0	-	ns	
$ t_{PLH} - t_{PHL} $	Propagation low to high and high to low matching	-	1.0	-	ns	For each channel
Δt_{dm}	Propagation delay matching	-	± 2.0	-	ns	Device to device delay match
t_{OE_ON}	Output enable time	-	200	-	ns	---
t_{OE_OFF}		-	9.0	-		

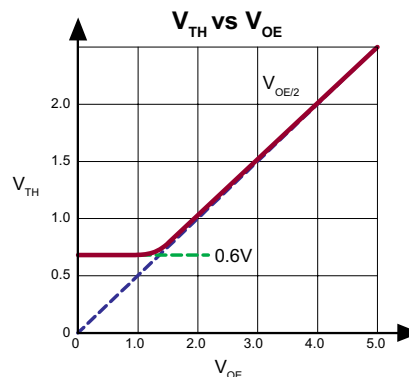
Logic Truth Table

Logic Inputs		Output
OE	IN	
H	L	V_L
H	H	V_H
L	X	High Z

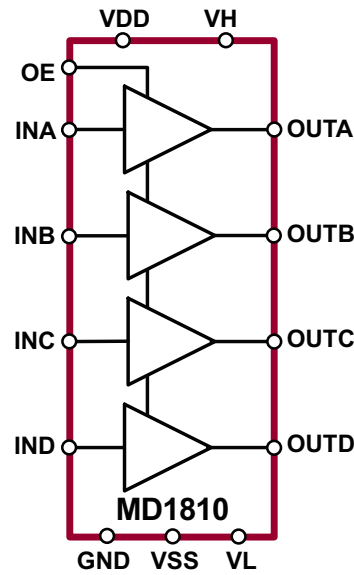
Timing Diagram



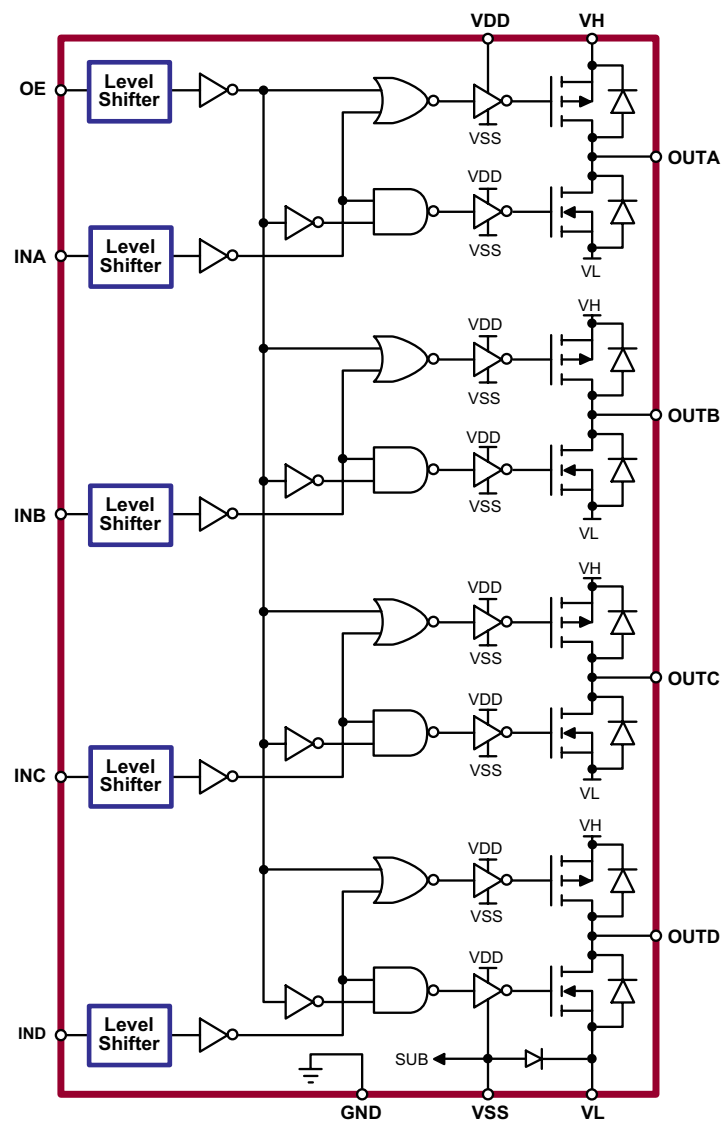
V_{TH} / V_{OE} Curve



Simplified Block Diagram

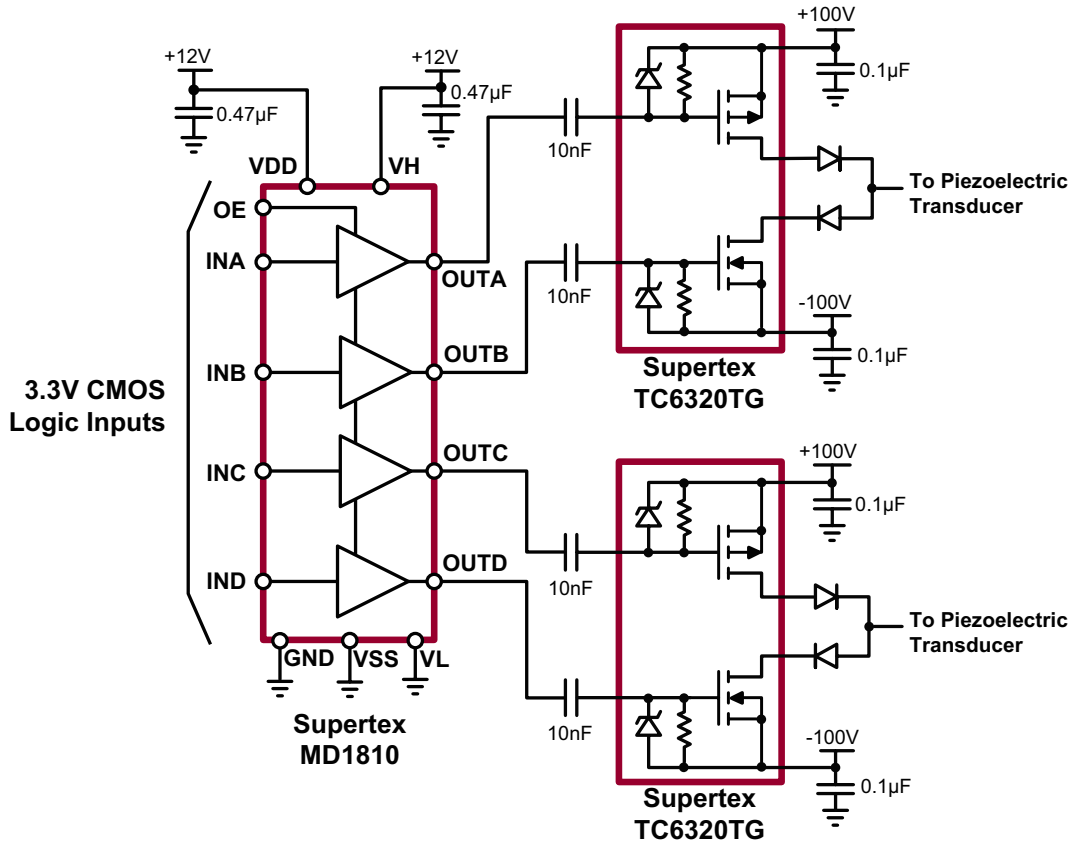


Detailed Block Diagram

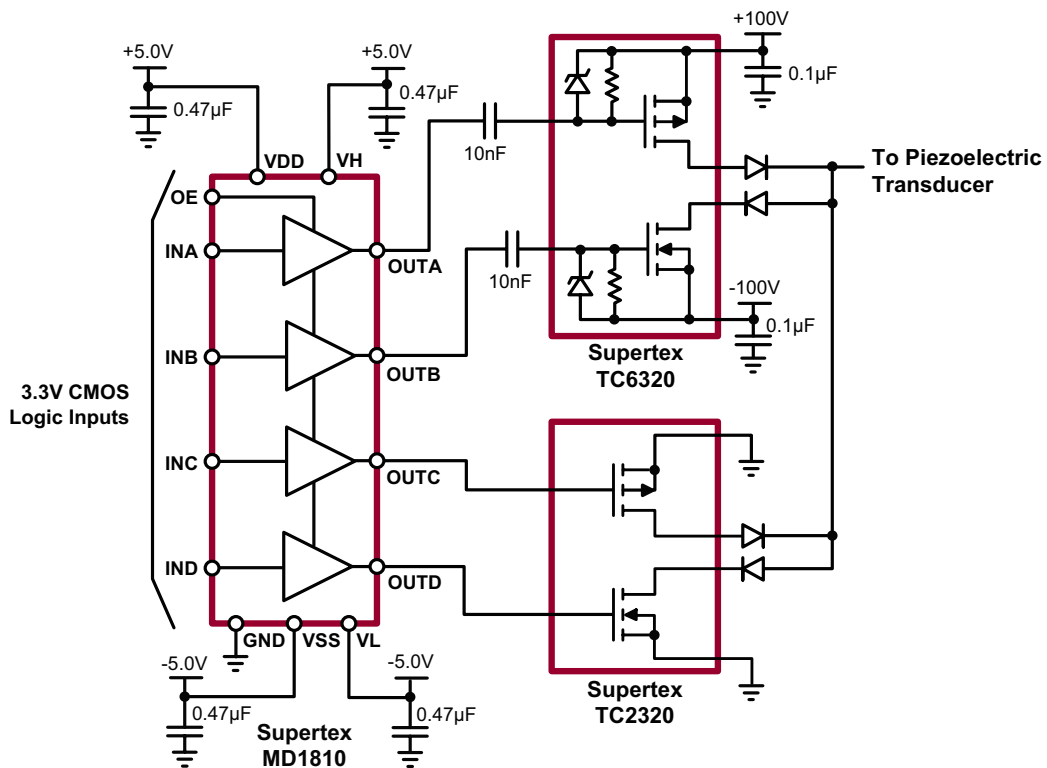


Typical Applications

2-Channel +100V to -100V Pulser



Single Channel ±100V to 0V Pulser



Application Information

For proper operation of the MD1810, low inductance bypass capacitors should be used on the various supply pins. The GND pin should be connected to the logic ground. The INA, INB, INC, IND, and OE pins should be connected to a logic source with a swing of GND to OE, where OE is 1.8 to 5.0 V. Good trace practices should be followed corresponding to the desired operating speed. The internal circuitry of the MD1810 is capable of operating up to 100MHz, with the primary speed limitation being the loading effects of the load capacitance. Because of this speed and the high transient currents that result with capacitive loads, the bypass capacitors should be as close to the chip pins as possible. Unless the load specifically requires bipolar drive, the V_{SS} and V_L pins should have low inductance feed-through connections directly to a ground plane. If these voltages are not zero, then they need bypass capacitors in a manner similar to the positive power supplies. The power connection V_{DD} should have a ceramic bypass capacitor to the ground plane with short leads and decoupling components to prevent resonance in the power leads.

The voltages of VH and VL decide the output signal levels. These two pins can draw fast transient currents of up to 2.0A, so they should be provided with an appropriate bypass

capacitor located next to the chip pins. A ceramic capacitor of up to 1.0 μ F may be appropriate, with a series ferrite bead to prevent resonance in the power supply lead coming to the capacitor. Pay particular attention to minimizing trace lengths, current loop area and using sufficient trace width to reduce inductance. Surface mount components are highly recommended. Since the output impedance of this driver is very low, in some cases it may be desirable to add a small series resistance in series with the output signal to obtain better waveform transitions at the load terminals. This will of course reduce the output voltage slew rate at the terminals of a capacitive load.

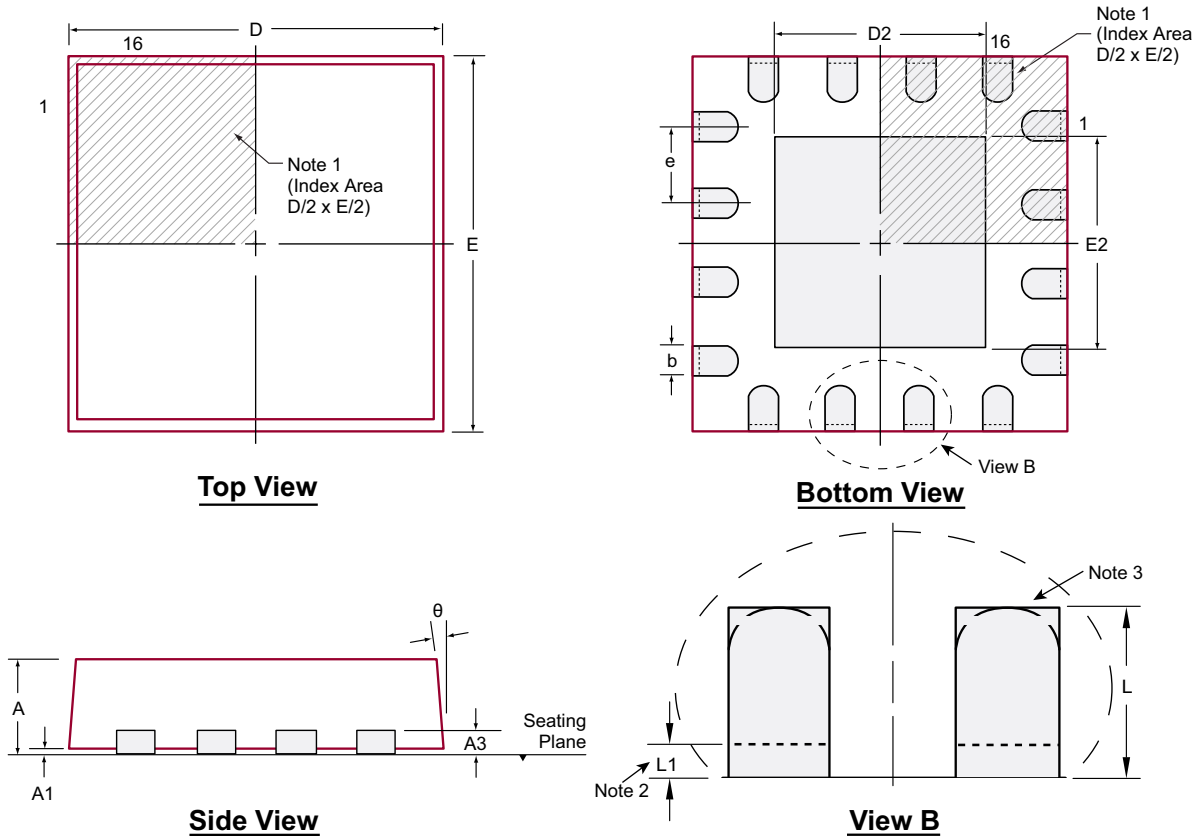
Pay particular attention that parasitic couplings are minimized from the output to the input signal terminals. The parasitic feedback may cause oscillations or spurious waveform shapes on the edges of signal transitions. Since the input operates with signals down to 1.8V even small coupled voltages may cause problems. Use of a solid ground plane and good power and signal layout practices will prevent this problem. Be careful that a circulating ground return current from a capacitive load cannot react with common inductance to cause noise voltages in the input logic circuitry.

Pin Description

Pin #	Function	Description
1	INB	Logic input. Input logic high will cause the output to swing to VH. Input logic low will cause the output to swing to VL. Keep all logic inputs low until IC powered up.
2	VL	Supply voltage for N-channel output stage.
3	GND	Logic input ground reference.
4	VL	Supply voltage for N-channel output stage.
5	INC	Logic input. Input logic high will cause the output to swing to VH. Input logic low will cause the output to swing to VL. Keep all logic inputs low until IC powered up.
6	IND	
7	VSS	Low side supply voltage. VSS is also connected to the IC substrate. It is required to connect to the most negative potential of voltage supplies and powered-up first.
8	OUTD	Output drivers
9	OUTC	
10, 11	VH	Supply voltage for P-channel output stage.
12	OUTB	Output drivers
13	OUTA	
14	VDD	High side supply voltage.
15	INA	Logic input. Input logic high will cause the output to swing to VH. Input logic low will cause the output to swing to VL. Keep all logic inputs low until IC powered up.
16	OE	Output enable logic input. When OE is high, $(V_{OE} + V_{GND})/2$ sets the threshold transition between logic level high and low. When OE is low, all outputs are at high impedance. Keep OE low until IC powered up.
Substrate		The IC substrate is internally connected to the thermal pad. Thermal pad and VSS must be connected externally.

16-Lead QFN Package Outline (K6)

4.00x4.00mm body, 1.00mm height (max), 0.65mm pitch



Notes:

1. A Pin 1 identifier must be located in the index area indicated. The Pin 1 identifier can be: a molded mark/identifier; an embedded metal marker; or a printed indicator.
2. Depending on the method of manufacturing, a maximum of 0.15mm pullback (L1) may be present.
3. The inner tip of the lead may be either rounded or square.

Symbol		A	A1	A3	b	D	D2	E	E2	e	L	L1	θ
Dimension (mm)	MIN	0.80	0.00	0.20 REF	0.25	3.85*	2.50	3.85*	2.50	0.65 BSC	0.30†	0.00	0°
	NOM	0.90	0.02		0.30	4.00	2.65	4.00	2.65		0.40†	-	-
	MAX	1.00	0.05		0.35	4.15*	2.80	4.15*	2.80		0.50†	0.15	14°

JEDEC Registration MO-220, Variation VGGC-2, Issue K, June 2006.

* This dimension is not specified in the JEDEC drawing.

† This dimension differs from the JEDEC drawing.

Drawings not to scale.

Supertex Doc.#: DSPD-16QFNK64X4P065, Version C041009.

(The package drawing(s) in this data sheet may not reflect the most current specifications. For the latest package outline information go to <http://www.supertex.com/packaging.html>.)

Supertex inc. does not recommend the use of its products in life support applications, and will not knowingly sell them for use in such applications unless it receives an adequate "product liability indemnification insurance agreement." Supertex inc. does not assume responsibility for use of devices described, and limits its liability to the replacement of the devices determined defective due to workmanship. No responsibility is assumed for possible omissions and inaccuracies. Circuitry and specifications are subject to change without notice. For the latest product specifications refer to the Supertex inc. (website: <http://www.supertex.com>)