

High Speed, Dual MOSFET Driver

Features

- ▶ 10ns average rise and fall time with 1000pF load
- ▶ 2.0A peak output source/sink current
- ▶ 1.8 to 5.0V input CMOS compatible
- ▶ 4.5 to 13V total supply voltage
- ▶ Dual matched channels
- ▶ Reduced clock skew
- ▶ Low input capacitance
- ▶ Green packaging

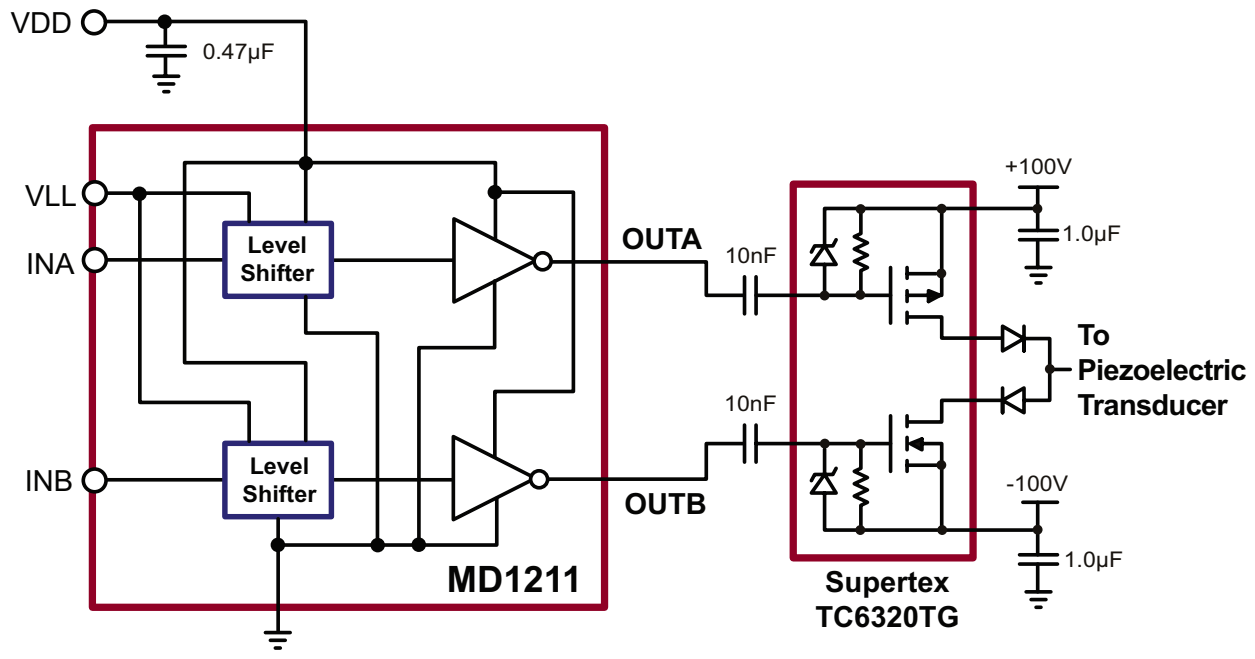
General Description

The Supertex MD1211 is a high speed dual MOSFET driver. It is designed to drive high voltage N and P-channel MOSFET transistors for medical ultrasound and other applications requiring a high output current for a capacitive load. The high-speed input stage of the MD1211 can operate from 1.8 to 5.0V logic interface with an optimum operating input signal range of 1.8 to 3.3V. The level translator uses a proprietary circuit, which provides DC coupling together with high-speed operation.

Applications

- ▶ Medical ultrasound imaging
- ▶ Piezoelectric transducer drivers
- ▶ Non-Destructive Testing (NDT)
- ▶ PIN diode driver
- ▶ High speed level translator
- ▶ Clock/line drivers

Typical Application Circuit



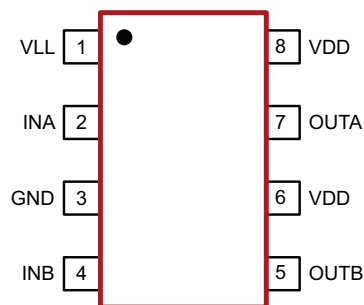
Ordering Information

| Device | Package |
|--------|---|
| | 8-Lead SOIC (Narrow Body) 4.90x3.90mm body 1.75mm height (max) 1.27mm pitch |
| MD1211 | MD1211LG-G |

-G indicates package is RoHS compliant ("Green")



Pin Configuration



8-Lead SOIC (LG)
(top view)

Absolute Maximum Ratings

| Parameter | Value |
|------------------------------|--------------------------|
| Logic supply voltage | -0.5V to +5.5V |
| Main supply voltage | -0.5V to +13.5V |
| Logic input levels | -0.5V to $V_{LL} + 0.5V$ |
| Maximum junction temperature | +125°C |
| Storage temperature | -65°C to +150°C |
| Operating temperature | -20°C to +85°C |

Absolute Maximum Ratings are those values beyond which damage to the device may occur. Functional operation under these conditions is not implied. Continuous operation of the device at the absolute rating level may affect device reliability. All voltages are referenced to device ground.

Product Marking



YY = Year Sealed
 WW = Week Sealed
 L = Lot Number
 LLLL = "Green" Packaging

Package may or may not include the following marks: Si or

8-Lead SOIC (LG)

DC Electrical Characteristics

(Over operating conditions unless otherwise specified, $V_{DD} = 12V$, $T_A = 25^\circ C$)

| Sym | Parameter | Min | Typ | Max | Units | Conditions |
|----------|--------------------------|----------------|-----|----------|---------|------------------------------|
| V_{DD} | Main supply voltage | 4.5 | - | 13 | V | --- |
| V_{LL} | Logic supply voltage | 1.8 | - | 5.0 | V | --- |
| V_{IH} | Input logic voltage high | $V_{LL} - 0.3$ | - | V_{LL} | V | For Logic Inputs INA and INB |
| V_{IL} | Input logic voltage low | 0 | - | 0.8 | V | |
| I_{IH} | Input logic current high | - | - | 10 | μA | |
| I_{IL} | Input logic current low | - | - | 10 | μA | |
| C_{IN} | Logic input capacitance | - | 5.0 | 10 | pF | All Inputs |

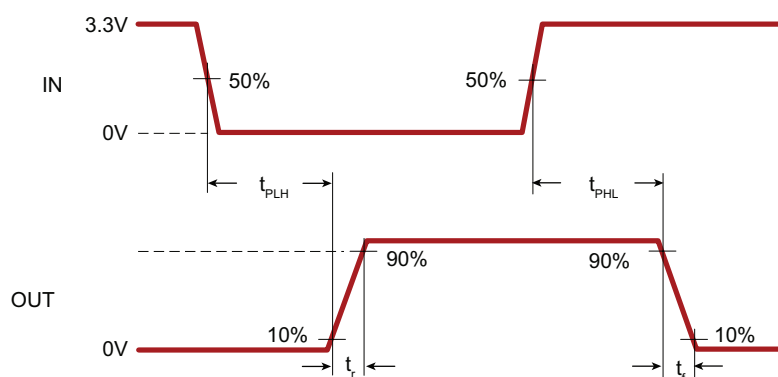
Outputs

| | | | | | | |
|--------------|----------------------------|---|-----|----|----------|---------------------|
| R_{SINK} | Output sink resistance | - | - | 12 | Ω | $I_{SINK} = 50mA$ |
| R_{SOURCE} | Output source resistance | - | - | 12 | Ω | $I_{SOURCE} = 50mA$ |
| I_{SINK} | Peak output sink current | - | 2.0 | - | A | --- |
| I_{SOURCE} | Peak output source current | - | 2.0 | - | A | --- |

AC Electrical Characteristics

| Sym | Parameter | Min | Typ | Max | Units | Conditions |
|-----------------------|---|-----|-----|-----|-------|--|
| t_{PLH} | Propagation delay when output is from low to high | - | 10 | - | ns | $C_{LOAD} = 1000pF$, (see timing diagram) Input signal rise/fall time 2ns |
| t_{PHL} | Propagation delay when output is from high to low | - | 10 | - | ns | |
| t_r | Output rise time | - | 10 | - | ns | |
| t_f | Output fall time | - | 10 | - | ns | |
| $ t_r - t_f $ | Rise and fall time matching | - | 2.0 | - | ns | For each channel |
| $ t_{PLH} - t_{PHL} $ | Propagation low to high and high to low matching | - | 2.0 | - | ns | |
| Δt_{dm} | Propagation delay match | - | 3.0 | - | ns | Device to device delay match |

Timing Diagram



Power-Up Sequence

| Step | Connection |
|------|---------------------------|
| 1 | VLL with logic signal low |
| 2 | VDD |
| 3 | Logic control signals |

Power-Down Sequence

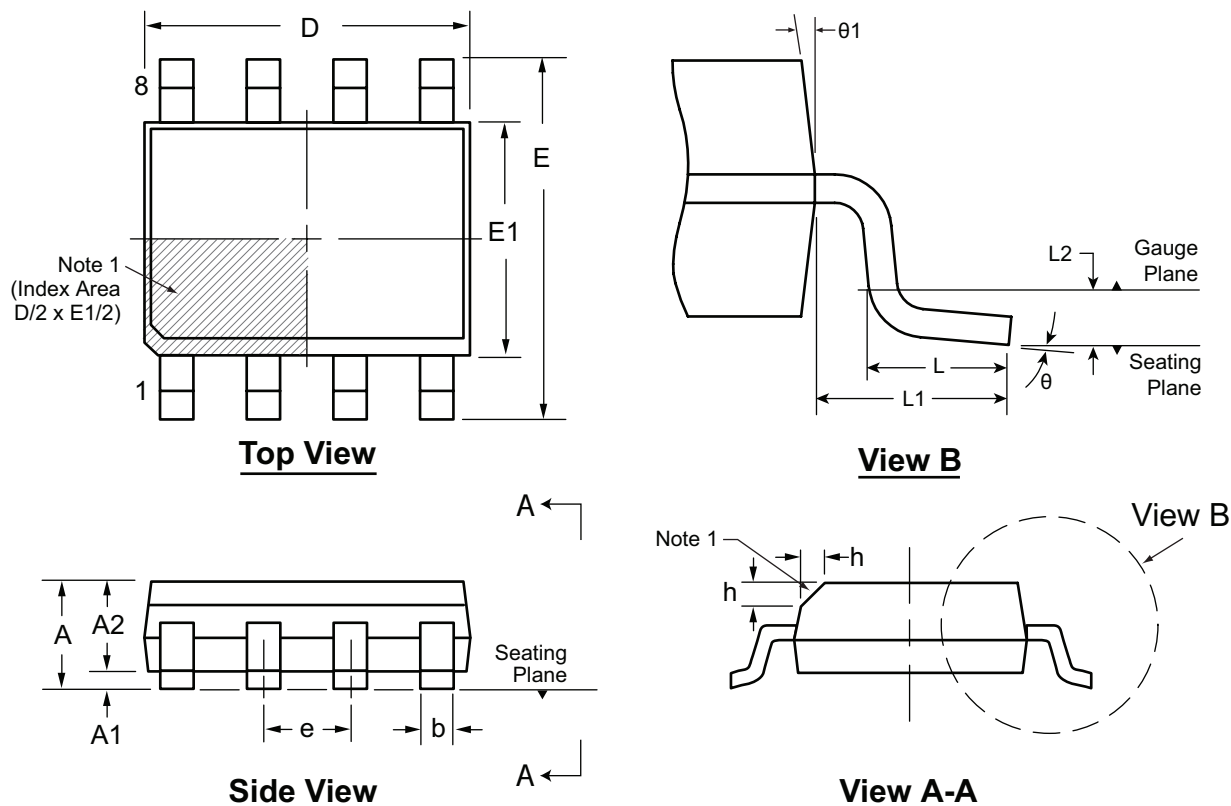
| Step | Connection |
|------|-------------------------------------|
| 1 | All logic control signals go to low |
| 2 | VDD |
| 3 | VLL |

Pin Description

| Pin # | Name | Description |
|-------|------|----------------------|
| 1 | VLL | Logic supply voltage |
| 2 | INA | Logic input |
| 3 | GND | Device ground |
| 4 | INB | Logic input |
| 5 | OUTB | Output driver |
| 6 | VDD | Main supply voltage |
| 7 | OUTA | Output driver |
| 8 | VDD | Main supply voltage |

8-Lead SOIC (Narrow Body) Package Outline (LG)

4.90x3.90mm body, 1.75mm height (max), 1.27mm pitch



- Note:**
- This chamfer feature is optional. A Pin 1 identifier must be located in the index area indicated. The Pin 1 identifier can be: a molded mark/identifier; an embedded metal marker; or a printed indicator.

| Symbol | A | A1 | A2 | b | D | E | E1 | e | h | L | L1 | L2 | θ | θ_1 | |
|----------------|-----|-------|------|-------|------|-------|-------|-------|----------|------|------|----------|----------|------------|-----|
| Dimension (mm) | MIN | 1.35* | 0.10 | 1.25 | 0.31 | 4.80* | 5.80* | 3.80* | 1.27 BSC | 0.25 | 0.40 | 1.04 REF | 0.25 BSC | 0° | 5° |
| | NOM | - | - | - | - | 4.90 | 6.00 | 3.90 | | - | - | | | - | - |
| | MAX | 1.75 | 0.25 | 1.65* | 0.51 | 5.00* | 6.20* | 4.00* | | 0.50 | 1.27 | | | 8° | 15° |

JEDEC Registration MS-012, Variation AA, Issue E, Sept. 2005.

* This dimension is not specified in the JEDEC drawing.

Drawings are not to scale.

Supertex Doc. #: DSPD-8SOLGTG, Version I041309.

(The package drawing(s) in this data sheet may not reflect the most current specifications. For the latest package outline information go to <http://www.supertex.com/packaging.html>.)

Supertex inc. does not recommend the use of its products in life support applications, and will not knowingly sell them for use in such applications unless it receives an adequate "product liability indemnification insurance agreement." **Supertex inc.** does not assume responsibility for use of devices described, and limits its liability to the replacement of the devices determined defective due to workmanship. No responsibility is assumed for possible omissions and inaccuracies. Circuitry and specifications are subject to change without notice. For the latest product specifications refer to the **Supertex inc.** (website: <http://www.supertex.com>)