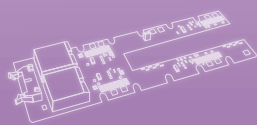


ELECTRONICS COMPONENTS

Gate Driver



CONTENTS

- Introduction 2
- Gate Driver Products overview 3
- Gate Driver Module | 2CG-B Series 4
- Gate Driver Module | 2CG-D Series 6
- Gate Driver Unit | 2EG-C Series 8
- Gate Driver Unit | 2EG-D Series 10
- Gate Driver Unit | 2LG-D Series 12
- Gate Driver Unit | 2PG-D Series 14
- Gate Driver Unit | 2QG-D Series 16
- Gate Driver Unit | 4DUx Series 18
- Gate Driver Unit | 2EG-B Series 20
- DC-DC Converter | 2DD Series 22

- * Not recommended for new designs.
- Gate Driver Module | 2DM Series 24
- Gate Driver Unit | 20U Series 25

- Product Cross reference 26
- Part numbering system 29
- Important Notices 30

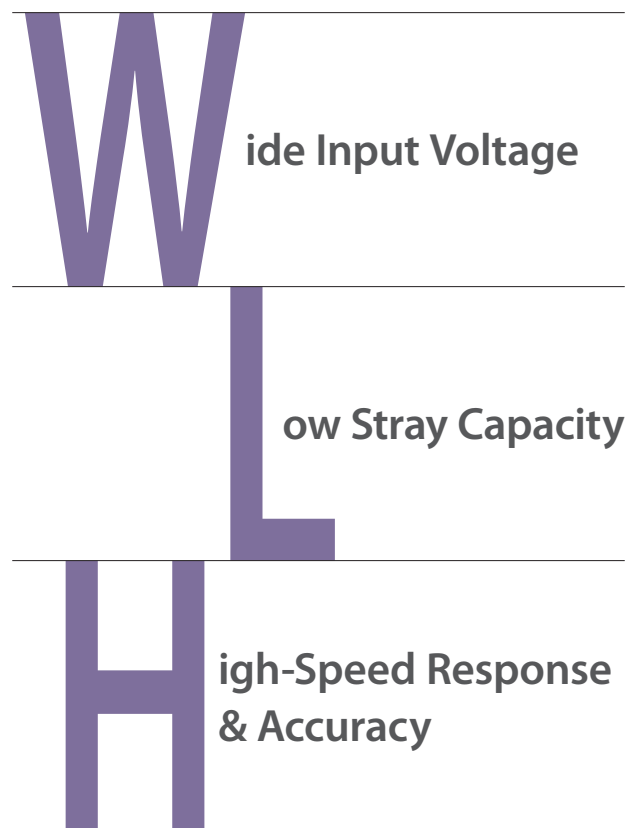
Introduction

■ **What's the TAMURA's Gate Driver?**

TAMURA's Gate Driver is a 2-channel isolated circuit module for IGBT / SiC MOSFET.

The Gate Driver features a DC / DC converter and integrated drive circuit. The Gate Driver is designed for robust operation in applications using IGBT / SiC MOSFET.

■ **Features**



Gate Driver Products overview



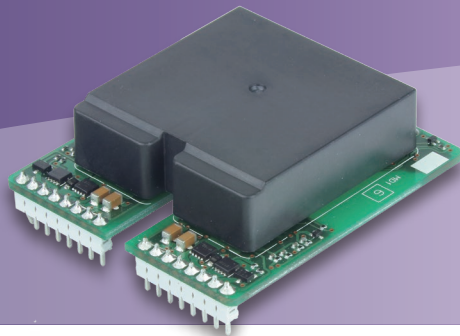
You can refer to gate driver's web selection guide from this code

Category	Function	Block diagram	Appearance
DC-DC Converter	DC-DC Converter for 2in1 Power Module		
Gate Driver Module	DC-DC Converter + Gate drive Circuit		
Gate Driver Unit	Gate Driver Module + Gate resistors Protective function		

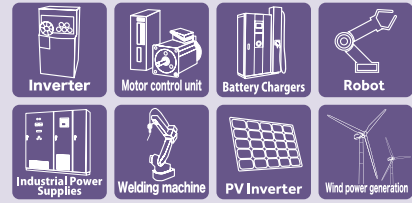
Product Lineup

Gate Driver Module

2CG-B Series



Applications



Features

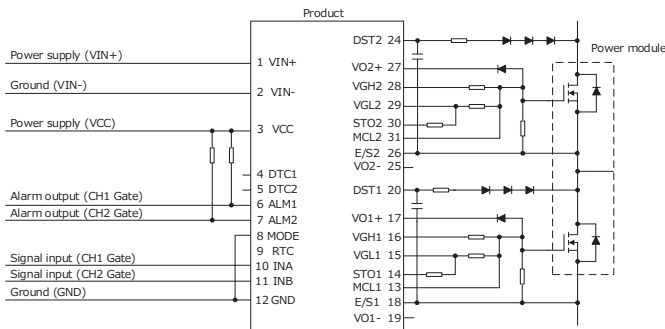
1. All-in-one (built-in DC-DC converter/ Gate driver)
2. High insulation voltage (AC5kV)
3. Low stray capacity (12pF TYP)
4. Dual output corresponding to 2 in 1
5. Wide input voltage range (DC13V-28V)

Standards

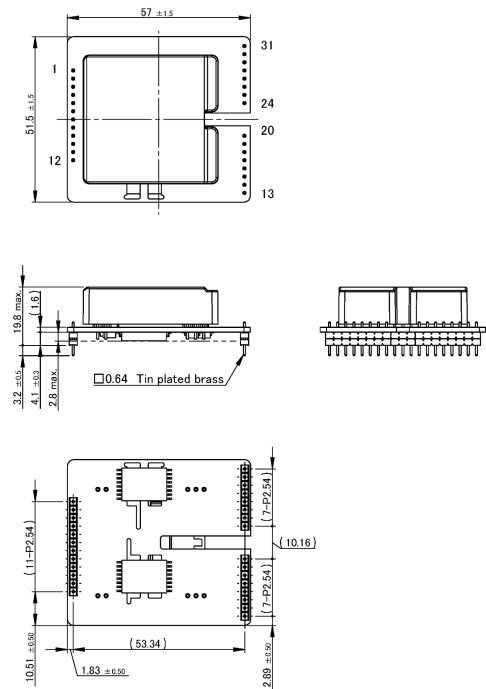
UL508 compliant

The next generation gate driver emerges with high insulation voltage (support to 1700V module) and low profile, in addition to the conventional low stray capacity.

Application Image



Outline Dimensional Drawing



Unit: mm

Note: 1. The dimensional tolerance without directions is ± 0.5 mm.

General characteristics

Model		2CG010BBC11N	2CG010BBC12N	2CG010BBC13N	2CG010BBC14N
Application		IGBT		SiC-MOSFET	
Input	Input Voltage Range	DC13V ~ 28V			
	Logic Input Voltage	DC3.3V ~ 5V			
Output	Number of Output	2			
	Output Power (per 1ch)	3.8W	3.3W	3.3W	3.0W
	Gate Voltage (ON)	+14V ~ +16V	+14V ~ +16V	+17V ~ +19V	+17V ~ +19V
	Gate Voltage (OFF)	-9V ~ -11V	-14V ~ -16V	-3V ~ -5V	-1V ~ -3V
	Peak Output Current (Gate Current)	±43A			
Insulation	Withstand Voltage	Primary to secondary : AC5000V			
		Secondary to secondary : AC4000V			
	Delay Time	100ns			
	Minimum Clearance Distance	Primary to secondary : 14mm			
Secondary to secondary : 7mm					
Minimum Creepage Distance	Primary to secondary : 14mm				
	Secondary to secondary : 12mm				
Function	Switching Mode Select	Direct mode and half bridge mode can be selected			
	Dead Time (Half Bridge Mode)	Adjustable by external circuit			
	Desaturation Protection	Yes			
	Soft Turn Off	Yes			
	Miller Clamp	Yes			
	Protection Release Condition	Auto recovery			
Environment	Ambient Temperature (Operating)	-40 ~ +85°C (Input Voltage ~ DC13V ~ 18V)			
		-40 ~ +75°C (Input Voltage ~ DC18V ~ 28V)			
	Ambient Humidity (Operating)	20 ~ 95% RH (No condensation)			
	Ambient Temperature (Storage)	-40 ~ +90°C			
	Ambient Humidity (Storage)	5 ~ 95% RH (No condensation)			

*The content of this document is subject to change without prior notice for the purpose of improvements, etc.

Pin assignment

Input side

Pin No.	Name	Explanation of pins
1	VIN+	Power supply terminal for DC/DC converter (+)
2	VIN-	Power supply terminal for DC/DC converter (-)
3	VCC	Power supply input pin of driver circuit
4	DTC1	Power supply terminal for DC/DC converter (+)
5	DTC2	Power supply terminal for DC/DC converter (-)
6	ALM1	Power supply terminal for DC/DC converter (+)
7	ALM2	Power supply terminal for DC/DC converter (-)
8	MOD	Mode selection pin
9	RTC	Pin for adjusting the recovery time of the protection circuit
10	INA	Control input terminal A
11	INB	Control input terminal B
12	GND	Ground pin for drive circuit

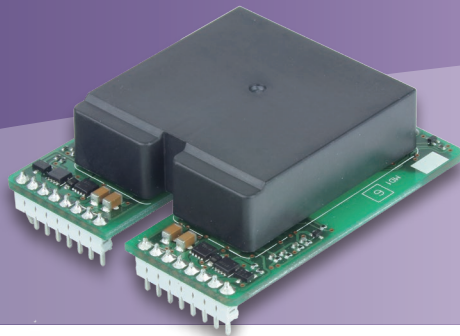
Output side

Pin No.	Name	CH	Explanation of terminal
13	MCL1	1	Miller clamp pin
14	STO1	1	Soft turn off pin
15	VGL1	1	OFF side of gate output
16	VGH1	1	ON side of gate output
17	VO1+	1	DC/DC converter output pin
18	E/S1	1	Emitter or source connection pin
19	VO1-	1	DC/DC converter output pin
20	DST1	1	Desaturation protection pin
21	None		None
22	None		None
23	None		None
24	DST2	2	Desaturation protection pin
25	VO2-	2	DC/DC converter output pin
26	E/S2	2	Emitter or source connection pin
27	VO2+	2	DC/DC converter output pin
28	VGH2	2	ON side of gate output
29	VGL2	2	OFF side of gate output
30	STO2	2	Soft turn off pin
31	MCL2	2	Miller clamp pin

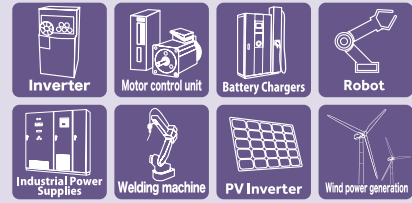
Product Lineup

Gate Driver Module

2CG-D Series



Applications



Features

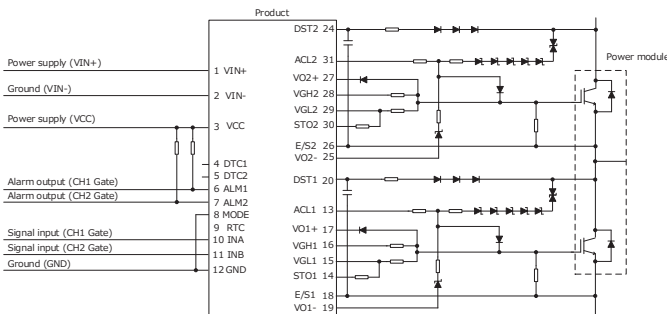
1. All-in-one (built-in DC-DC converter/ Gate driver)
2. High insulation voltage (AC5kV)
3. Low stray capacity (12pF TYP)
4. Dual output corresponding to 2 in 1
5. Wide input voltage range (DC13V-28V)

Standards

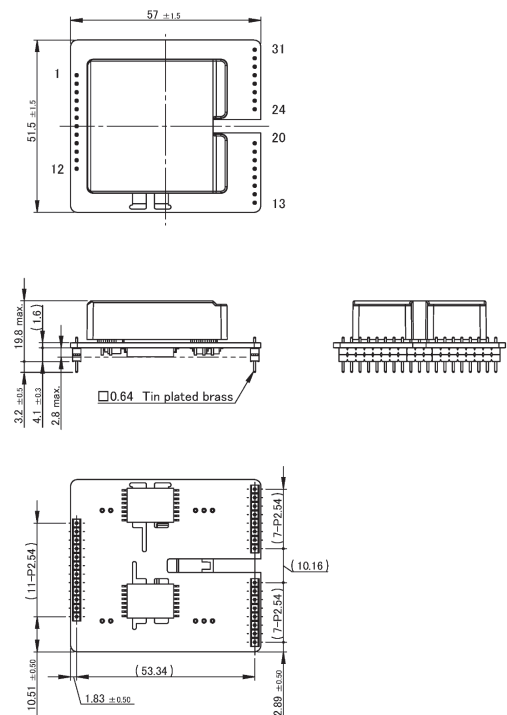
UL508 compliant

The next generation gate driver emerges (With Active Clamp) with high insulation voltage (support to 1700V module) and low profile, in addition to the conventional low stray capacity.

Application Image



Outline Dimensional Drawing



Unit: mm

Note: 1.The dimensional tolerance without directions is ± 0.5mm.

General characteristics

Model		2CG010DBC11N	2CG010DBC12N
Application		IGBT	
Input	Input Voltage Range	DC13V ~ 28V	
	Logic Input Voltage	DC3.3V ~ 5V	
Output	Number of Output	2	
	Output Power (per 1 ch)	4W	T.B.D
	Gate Voltage (ON)	+14V ~ +16V	+14V ~ +16V
	Gate Voltage (OFF)	-9V ~ -11V	-14V ~ -16V
	Peak Output Current (Gate Current)	±43A	
Insulation	Withstand Voltage	Primary to secondary : AC5000V	
		Secondary to secondary : AC4000V	
	Delay Time	100ns	
	Minimum Clearance Distance	Primary to secondary : 14mm	
		Secondary to secondary : 7mm	
Minimum Creepage Distance	Primary to secondary : 14mm		
	Secondary to secondary : 12mm		
Function	Switching Mode Select	Direct mode and half bridge mode can be selected	
	Dead Time (Half Bridge Mode)	Adjustable by external circuit	
	Desaturation Protection	Yes	
	Soft Turn Off	Yes	
	Active Clamp	Yes	
	Protection Release Condition	Auto recovery	
Environment	Ambient Temperature (Operating)	-40 ~ +85°C (Input Voltage ~ DC13V ~ 18V)	
		-40 ~ +75°C (Input Voltage ~ DC18V ~ 28V)	
	Ambient Humidity (Operating)	20 ~ 95% RH (No condensation)	
	Ambient Temperature (Storage)	-40 ~ +90°C	
	Ambient Humidity (Storage)	5 ~ 95% RH (No condensation)	

*The content of this document is subject to change without prior notice for the purpose of improvements, etc.

Pin assignment

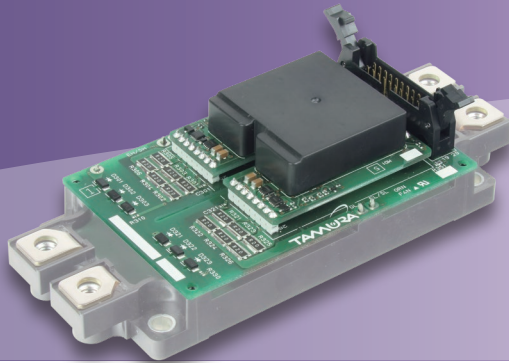
Input

Pin No.	Name	CH	Function
1	VIN+	Common	Power supply for DC/DC converter (+)
2	VIN-	Common	Power supply for DC/DC converter (-)
3	VCC	—	Power supply for drive circuit
4	DTC1	1	Dead time adjustment
5	DTC2	2	Dead time adjustment
6	ALM1	1	Alarm signal output
7	ALM2	2	Alarm signal output
8	MOD	—	Mode select
9	RTC	—	Recovery time of protection circuit control
10	INA	1	Control input A
11	INB	2	Control input terminal B
12	GND	—	Control input B

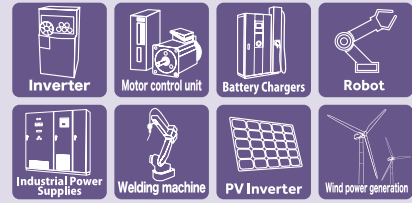
Output

Pin No.	Name	CH	Function
13	ACL1	1	Active clamp pin
14	STO1	1	Soft turn off pin
15	VGL1	1	Gate OFF side pin
16	VGH1	1	Gate ON side pin
17	VO1+	1	DC/DC converter output pin
18	E/S1	1	Emitter · source connection pin
19	VO1-	1	DC/DC converter output pin
20	DST1	1	Desaturation protection pin
21	NONE		None
22	NONE		None
23	NONE		None
24	DST2	2	Desaturation protection pin
25	VO2-	2	DC/DC converter output pin
26	E/S2	2	Emitter · source connection pin
27	VO2+	2	DC/DC converter output pin
28	VGH2	2	Gate ON side pin
29	VGL2	2	Gate OFF side pin
30	STO2	2	Soft turn off pin
31	ACL2	2	Active clamp pin

Product Lineup
Gate Driver Unit
2EG-C Series



Applications



Features

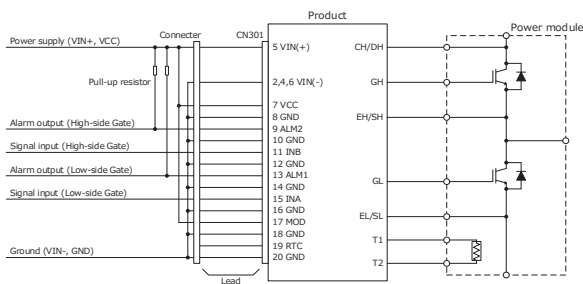
1. High insulation voltage (AC5kV)
2. Low profile (20mmMax, From the board mounting position)
3. Low stray capacity (12pF TYP)
4. Wide input voltage range (DC13V-28V)
5. Soft-turn-off

Standards

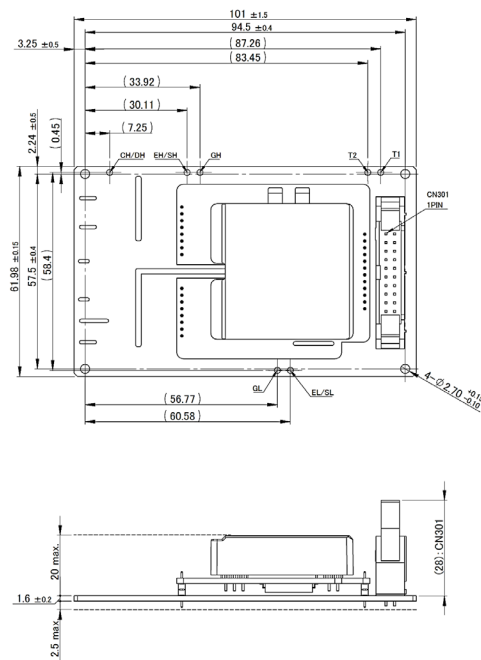
UL508 compliant

2EG-C series is suitable for IGBT power module. (support to 1700V module)
Built-in isolated DC / DC converter and gate drive circuit
and short circuit detection voltage have already been set.
Gate resistance is not assembled.
They must be assembled by the user before operation.

Application Image



Outline Dimensional Drawing



Unit: mm

Note: 1.The dimensional tolerance without directions is ± 0.5mm.

General characteristics

Model		2EG01XCDN11N	2EG01XCCN11N
Application		IGBT (~1700V)	
Input	Input Voltage Range (VIN, VCC)	DC13V ~ 28V	
	Logic Input Voltage (INA, INB)	DC13 ~ 18V	DC3.3 ~ 18V
Output	Number of Output	2	
	Gate Voltage (ON)	+14V ~ +16V	
	Gate Voltage (OFF)	-9V ~ -11V	
	Maximum Switching Frequency	100kHz *2	
Insulation	Withstand Voltage	Primary to secondary : AC5000V	
	Delay Time	±130ns (TYP)	
	Minimum Clearance Distance	*3 Please refer to below information	
	Minimum Creepage Distance	*3 Please refer to below information	
Function	Mode select	Direct mode / Half bridge mode can be switched	
	Desaturation Protection	Yes	
	Soft Turn Off	Yes	
	Miller Clamp	None	
	Active Clamp	None	
	Protection Release Condition	Auto Recovery, Interval: 110 ms (TYP)	
	Gate resistor	No mounting / Lead resistor can be mounted.	
Environment	Ambient Temperature (Operating)	-40 ~ +85°C (Input Voltage:DC13V ~ 18V)	
		-40 ~ +75°C (Input Voltage:DC18V ~ 28V)	
	Ambient Humidity (Operating)	20 ~ 95%RH (Nil condensation)	
	Ambient Temperature (Storage)	-40 ~ +90°C	
	Ambient Humidity (Storage)	5 ~ 95%RH (Nil condensation)	

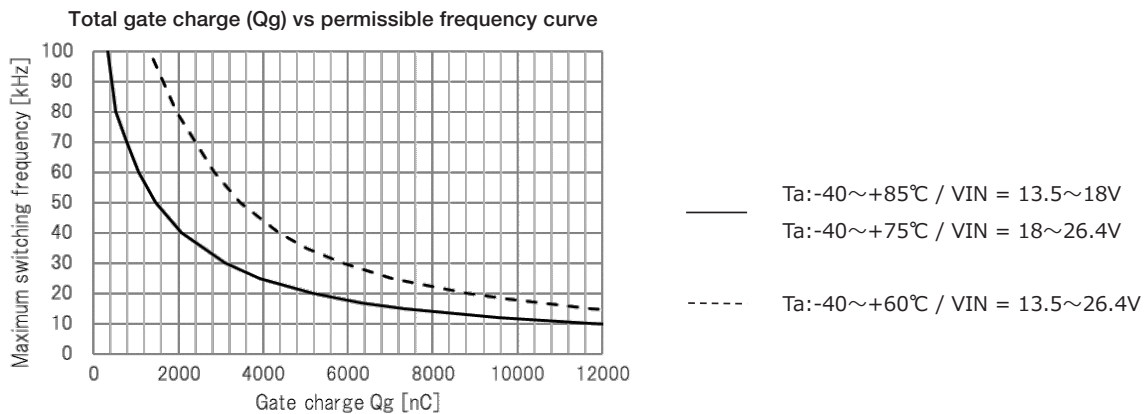
*The content of this document is subject to change without prior notice for the purpose of improvements, etc.

*2 Permissible frequency curve

Gate resistor power derating is not included.

Use the output power in a range with sufficient margin for the allowable power of the gate resistor.

Recommended resistor surface temperature 120°C or less.



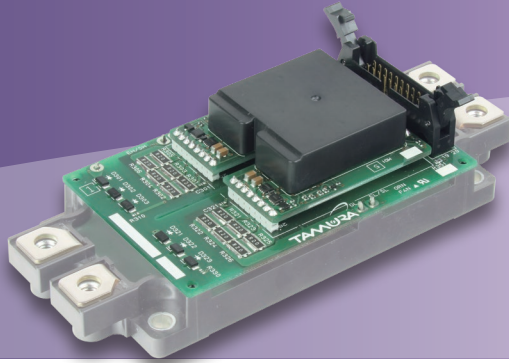
*3 Insulation

Item	Specification	Conditions · Note
Between Input-Output		
Minimum clearance distances	14mm	As for Gate driver PCB
Minimum clearance distances	16mm	
Between Input-Output / IGBT device terminal - Gate driver PCB Input side		
Minimum clearance distances	15mm	Infineon / EconoDUAL package
Minimum clearance distances	16mm	
Minimum clearance distances	13.4mm	Mitsubishi electronics / NX_DX package
Minimum clearance distances	16mm	
Minimum clearance distances	12mm	Fuji electronics / M254,M285 package
Minimum clearance distances	16mm	
Between CH1-CH2		
Minimum clearance distances	7mm	Excluding electrical connections point
Minimum clearance distances	12mm	

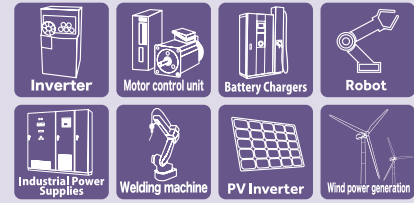
Product Lineup
Gate Driver Unit

Release scheduled
for August 2022

2EG-D Series



Applications



Features

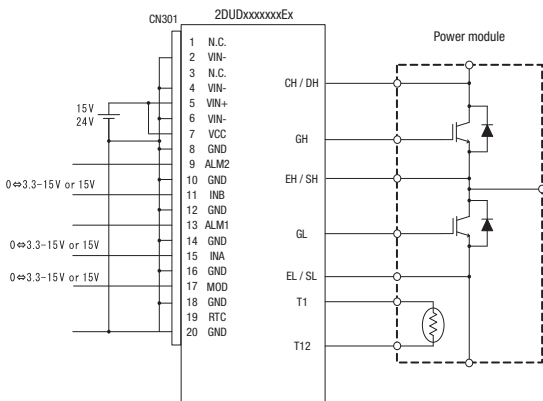
1. High insulation voltage (AC5kV)
2. Low profile (20mmMax, From the board mounting position)
3. Low stray capacity (12pF TYP)
4. Wide input voltage range (DC13V-28V)
5. Active-Clamp/Soft-turn off

Standards

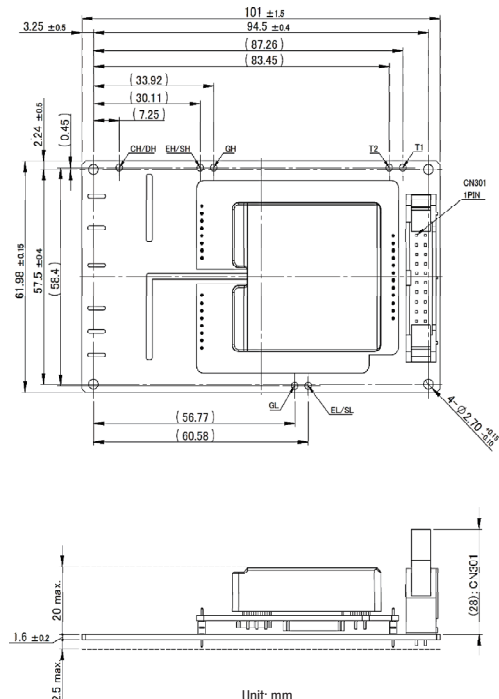
UL508 compliant

2EG-D series is suitable for IGBT power module. (support to 1200V module)
Built-in isolated DC / DC converter and gate drive circuit
and short circuit detection voltage have already been set.
Gate resistance is not assembled.
They must be assembled by the user before operation.

Application Image | T.B.D



Outline Dimensional Drawing | T.B.D



Specifications are subject to change without notice.

Unit: mm

Note: 1. The dimensional tolerance without directions is ± 0.5mm.

General characteristics

*4 Under development

Model		2EG01XDDN11N *4	2EG01XDCN11N *4
Application		IGBT (~1200V)	
Input	Input Voltage Range (VIN, VCC)	DC13V ~ 28V	
	Logic Input Voltage (INA, INB)	DC13 ~ 18V	DC3.3 ~ 18V
Output	Number of Output	2	
	Gate Voltage (ON)	+14V ~ +16V	
	Gate Voltage (OFF)	-9V ~ -11V	
	Maximum Switching Frequency	T.B.D	
Insulation	Withstand Voltage	Primary to secondary : AC5000V	
	Delay Time	±130ns (TYP)	
	Minimum Clearance Distance	T.B.D	
	Minimum Creepage Distance	T.B.D	
Function	Mode select	Direct mode / Half bridge mode can be switched	
	Desaturation Protection	Yes	
	Soft Turn Off	Yes	
	Miller Clamp	None	
	Active Clamp Gate	Yes	
	Protection Release Condition	Auto Recovery, Interval: 110 ms(TYP)	
	Gate resistor	No mounting/ Lead resistor can be mounted.	
Environment	Ambient Temperature (Operating)	-40 ~ +85°C (Input Voltage: DC13V ~ 18V)	
		-40 ~ +75°C (Input Voltage: DC18V ~ 28V)	
	Ambient Humidity (Operating)	20 ~ 95%RH (Nil condensation)	
	Ambient Temperature (Storage)	-40 ~ +90°C	
	Ambient Humidity (Storage)	5 ~ 95%RH (Nil condensation)	

*The content of this document is subject to change without prior notice for the purpose of improvements, etc.

Pin assignment | T.B.D

CN101 : RA-H201TD / JST

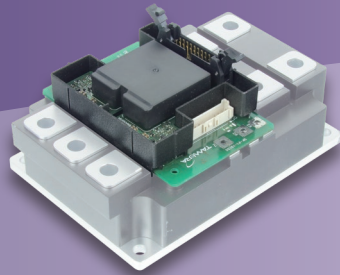
Pin No.	Name	Function
1	N.C	Unused pin
2	VIN-	Power supply for DC/DC converter(-)
3	N.C	Unused pin
4	VIN-	Power supply for DC/DC converter(-)
5	VIN+	Power supply for drive circuit
6	VIN-	Power supply for DC/DC converter(-)
7	VCC	Power supply for drive circuit
8	GND	Ground for drive circuit
9	ALM2	Alarm signal output 2 (High side)
10	GND	Ground for drive circuit

Pin No.	Name	Function
11	INB	Control input B (High side)
12	GND	Ground for drive circuit
13	ALM1	Alarm signal output 1 (Low side)
14	GND	Ground for drive circuit
15	INA	Control input A (Low side)
16	GND	Ground for drive circuit
17	MOD	Mode select
18	GND	Ground for drive circuit
19	RTC	Recovery time of protection circuit control
20	GND	Ground for drive circuit

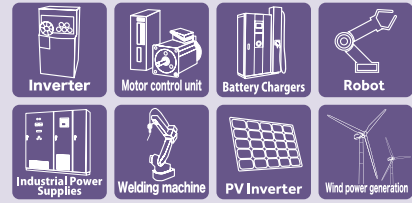
Product Lineup

Gate Driver Unit

2LG-D Series



Applications



Features

1. High insulation voltage (AC5kV)
2. Low profile (20mmMax, From the board mounting position)
3. Low stray capacity (12pF TYP)
4. Wide input voltage range (DC13V-28V)
5. Active-Clamp / Soft-turn-off

Standards

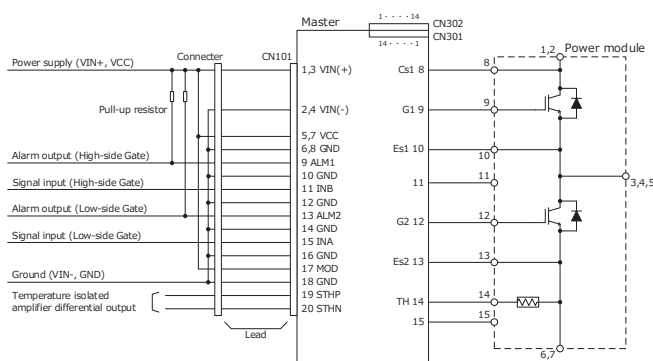
UL508 compliant

2LG-D series is suitable for LV100.

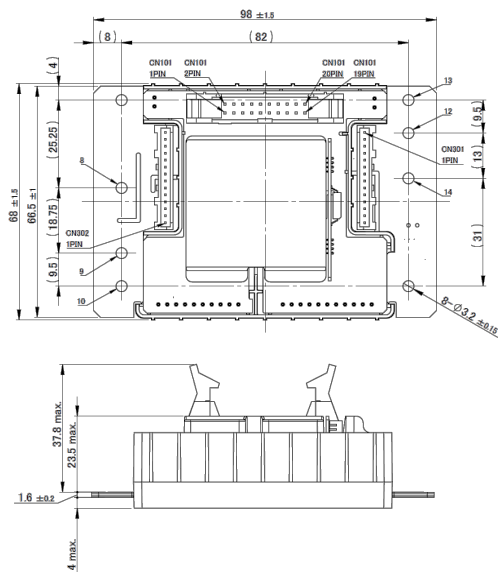
Built-in isolated DC / DC converter and gate drive circuit, in addition, gate resistor and short circuit detection voltage have already been set.

Leader board

Application Image



Outline Dimensional Drawing



Unit: mm

Note: 1. The dimensional tolerance without directions is ± 0.5 mm.

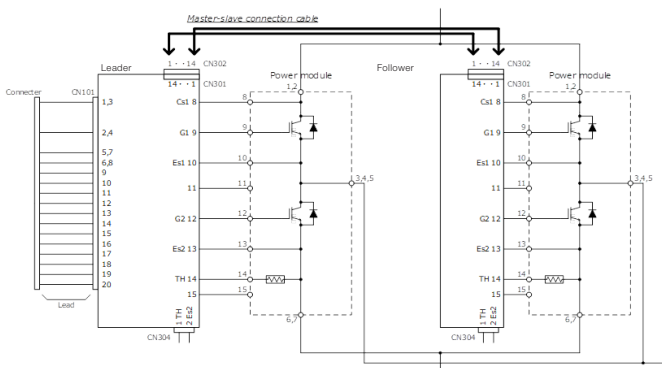
General characteristics

Electrical Specification (Ta=25°C)

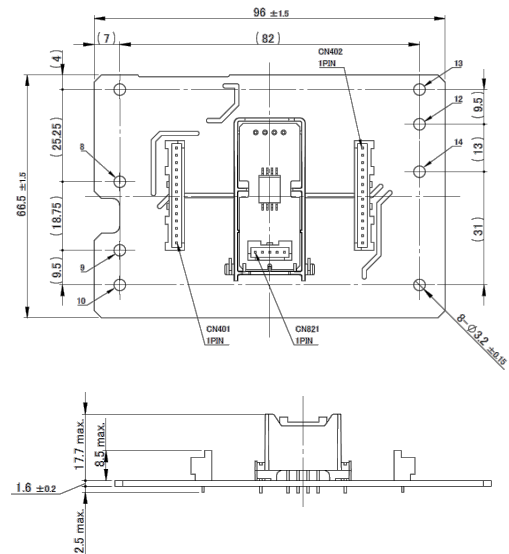
Application		CM1200DW-34T CM800DW-34T/34TA			CM1200DW-24T CM800DW-24T		
Item		Leader		Follower	Leader		Follower
Model		2LG01ADCC11M	2LG01ADCC11M	2LG01ADZC11S	2LG02ADCC11M	2LG02ADCC11M	2LG02ADZC11S
Input	Input Voltage Range	DC13 ~ 28V		N/A	DC13 ~ 28V		N/A
	Logic Input Voltage *1	DC13 ~ 18V	DC3.3 ~ 18V	Depends on the leader board	DC13 ~ 18V	DC3.3 ~ 18V	Depends on the leader board
Output	Number of Output	2					
	Gate Voltage (ON)	+14V ~ +16V					
	Gate Voltage (OFF)	-9V ~ 11V					
	Maximum Gate Charge	CM1200DW-34T: 1400nC CM800DW-34T/34TA: 960nC			CM1200DW-24T: 1400nC CM800DW-24T: 850nC		
	Maximum Switching Frequency (Reference value)	CM1200DW-34T: 7.5kHz (Leader only) 3.8kHz (1leader/1follower) CM800DW-34T/34TA: 10.5kHz (Leader only) 5.4kHz (1leader/1follower)			CM1200DW-24T: 3.0kHz (Leader only) 2.8kHz (1leader/1follower) CM800DW-24T: 5.2kHz (Leader only) 4.6kHz (1leader/1follower)		
Insulation	Withstand Voltage	Primary to secondary : AC5000V					
	Delay Time	±130ns (TYP)					
	Minimum Clearance Distance	Primary to secondary : 14mm					
	Minimum Creepage Distance	Primary to secondary : 14mm					
Function	Mode select	Direct mode / Half bridge mode can be switched					
	Desaturation Protection	Yes					
	Soft Turn Off	Yes					
	Miller Clamp	None					
	Active Clamp Gate	Yes					
	Protection Release Condition	Auto Recovery, Interval: 110 ms (TYP)					
	Thermistor Isolated Circuit	Yes					
	Ambient Temperature (Operating)	-40 ~ +85°C (Input Voltage: DC13V ~ 18V) -40 ~ +75°C (Input Voltage: DC18V ~ 28V)					
Environment	Ambient Humidity (Operating)	20 ~ 95%RH (Nil condensation)					
	Ambient Temperature (Storage)	-40 ~ +90°C					
	Ambient Humidity (Storage)	5 ~ 95%RH (Nil condensation)					
Coating	Insulating moisture proof coating	Yes					

Follower board

Application Image



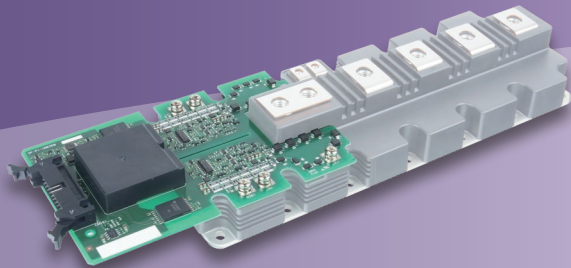
Outline Dimensional Drawing



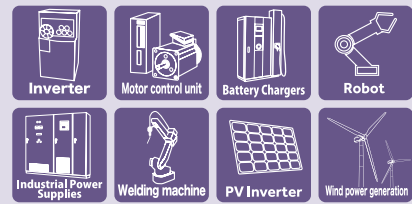
Unit: mm

Note: 1.The dimensional tolerance without directions is ± 0.5mm.

Product Lineup
Gate Driver Unit
2PG-D Series



Applications



Features

1. High insulation voltage (AC5kV)
2. Low profile (20mmMax, From the board mounting position)
3. Low stray capacity (12pF TYP)
4. Wide input voltage range (DC13V-28V)
5. Active-Clamp

Standards

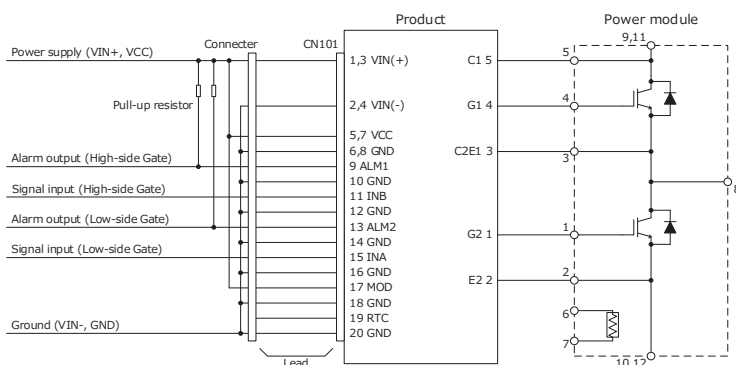
UL508 compliant

2PG-D series is suitable for PrimePACK™.

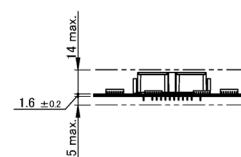
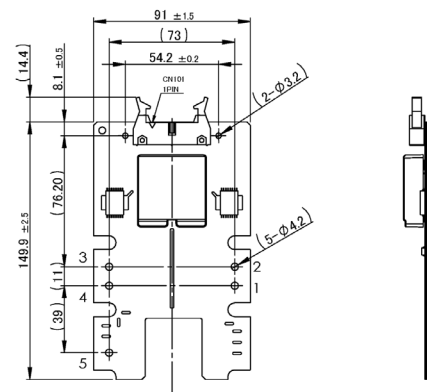
Built-in isolated DC / DC converter and gate drive circuit, in addition, gate resistor and short circuit detection voltage have already been set.

Note1: PrimePACK™ is a registered trademark of Infineon Technologies AG.

Application Image



Outline Dimensional Drawing



Unit: mm

Note: 1. The dimensional tolerance without directions is ± 0.5mm.

General characteristics

Model		2PG010DCC11N	2PG010DDC11N
Application		2MBI1800XXF170-50 (Fuji Electric)	
Input	Input Voltage Range	DC13V ~ 28V	
	Logic Input Voltage	DC3.3 ~ 18V	DC13 ~ 18V
Output	Number of Output	2	
	Gate Voltage (ON)	+14V ~ +16V	
	Gate Voltage (OFF)	-9V ~ -11V	
	Maximum Gate Charge	11000nC	
	Maximum Switching Frequency	10kHz	
Insulation	Withstand Voltage	Primary to secondary : AC5000V	
	Delay Time	±130ns (TYP)	
	Minimum Clearance Distance	Primary to secondary : 14mm	
		Secondary to secondary : 8mm	
Minimum Creepage Distance	Primary to secondary : 14mm		
	Secondary to secondary : 12mm		
Function	Mode select	Direct mode / Half bridge mode can be switched	
	Desaturation Protection	Yes	
	Soft Turn Off	Yes	
	Miller Clamp	None	
	Active Clamp Gate	Yes	
	Protection Release Condition	Auto Recovery, Interval: 110 ms (TYP)	
Environment	Ambient Temperature (Operating)	-40 ~ +85°C (Input Voltage : DC13V ~ 18V)	
		-40 ~ +75°C (Input Voltage : DC18V ~ 28V)	
	Ambient Temperature (Storage)	20 ~ 95%RH (Nil condensation)	
	Ambient Humidity (Storage)	-40 ~ +90°C	
	Ambient Humidity (Storage)	5 ~ 95%RH (Nil condensation)	

*The content of this document is subject to change without prior notice for the purpose of improvements, etc.

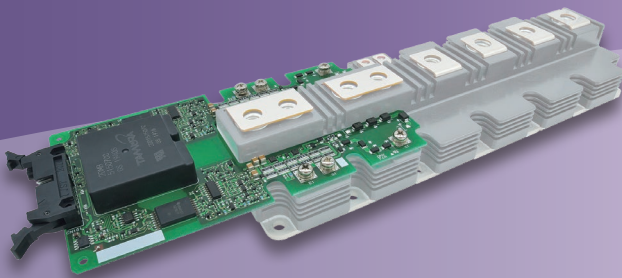
Pin assignment

CN101 : RA-H201SD / JST

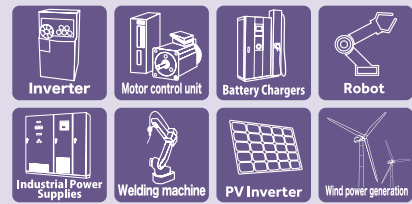
Pin No.	Name	Function
1	VIN(+)	Power supply for DC/DC converter(+)
2	VIN(-)	Power supply for DC/DC converter(-)
3	VIN(+)	Power supply for DC/DC converter(+)
4	VIN(-)	Power supply for DC/DC converter(-)
5	VCC	Power supply for drive circuit
6	GND	Ground for drive circuit
7	VCC	Power supply for drive circuit
8	GND	Ground for drive circuit
9	ALM1	Alarm signal output 1 (High side)
10	GND	Ground for drive circuit

Pin No.	Name	Function
11	INB	Control input B (High side)
12	GND	Ground for drive circuit
13	ALM2	Alarm signal output 2 (Low side)
14	GND	Ground for drive circuit
15	INA	Control input A (Low side)
16	GND	Ground for drive circuit
17	MOD	Mode select
18	GND	Ground for drive circuit
19	RTC	Recovery time of protection circuit control
20	GND	Ground for drive circuit

Product Lineup
Gate Driver Unit
2QG-D Series



Applications



Features

1. High insulation voltage (AC5kV)
2. Low profile (20mmMax, From the board mounting position)
3. Low stray capacity (12pF TYP)
4. Wide input voltage range (DC13V-28V)
5. Active-Clamp & Soft-Turn-off

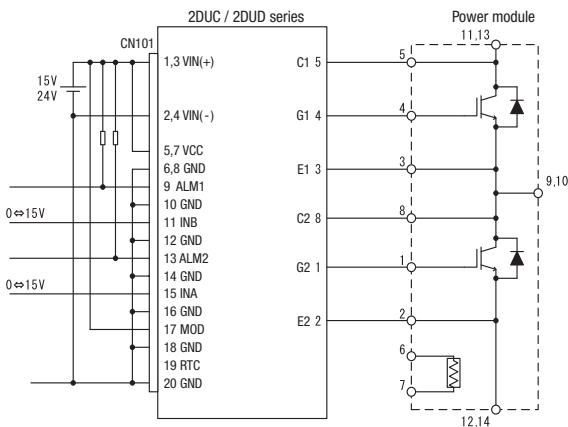
Standards

UL508 compliant

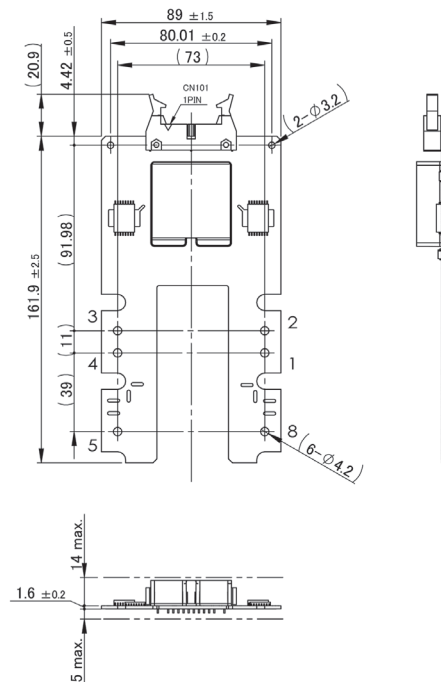
2QG-D series is suitable for PrimePACK™3+.
Built-in isolated DC / DC converter and gate drive circuit, in addition, gate resistor and short circuit detection voltage have already been set.

Note1: PrimePACK™ is a registered trademark of Infineon Technologies AG.

Application Image



Outline Dimensional Drawing



Unit: mm

Note: 1.The dimensional tolerance without directions is ± 0.5mm.

General characteristics

Model		2QG010DDC11N	2QG020DDC11N
Application		2MBI1800XXG170-50 (Fuji Electric)	FF1800R17IP5 (Infineon Technologies)
Input	Input Voltage Range	DC13V ~ 28V	
	Logic Input Voltage	DC13 ~ 18V	
Output	Number of Output	2	
	Gate Voltage (ON)	+14V ~ +16V	
	Gate Voltage(OFF)	-9V ~ -11V	
	Permissible Switching Frequency	8.8kHz (Qg=12.5uC)	8.4kHz (Qg=8.4uC)
Insulation	Withstand Voltage	Primary to secondary : AC5000V	
	Delay Time	±130ns (TYP)	
	Minimum Clearance Distance	Primary to secondary : 14mm	
		Secondary to secondary : 8mm	
Minimum Creepage Distance	Primary to secondary : 16mm * As for Gate Driver PCB		
	Secondary to secondary : 12mm		
Function	Mode select	Direct mode / Half bridge mode can be switched	
	Desaturation Protection	Yes	
	Soft Turn Off	Yes	
	Miller Clamp	None	
	Active Clamp Gate	Yes	
	Protection Release Condition	Auto Recovery, Interval: 110 ms (TYP)	
Environment	Ambient Temperature (Operating)	-40 ~ +85°C (Input Voltage: DC13V ~ 18V)	
		-40 ~ +75°C (Input Voltage: DC18V ~ 28V)	
	Ambient Temperature (Storage)	20 ~ 95%RH (Nil condensation)	
	Ambient Humidity (Operating)	-40 ~ +90°C	
	Ambient Humidity (Storage)	5 ~ 95%RH (Nil condensation)	

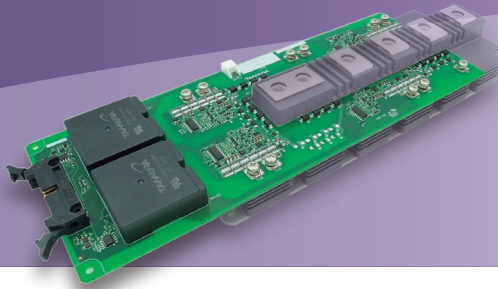
Pin assignment

CN101 : RA-H201SD / JST

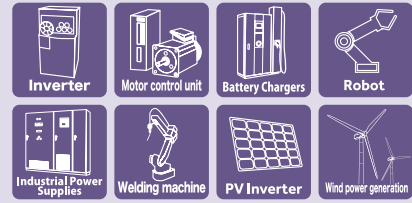
Pin No.	Name	Function
1	VIN(+)	Power supply for DC/DC converter(+)
2	VIN(-)	Power supply for DC/DC converter(-)
3	VIN(+)	Power supply for DC/DC converter(+)
4	VIN(-)	Power supply for DC/DC converter(-)
5	VCC	Power supply for drive circuit
6	GND	Ground for drive circuit
7	VCC	Power supply for drive circuit
8	GND	Ground for drive circuit
9	ALM1	Alarm signal output 1 (High side)
10	GND	Ground for drive circuit

Pin No.	Name	Function
11	INB	Control input B (High side)
12	GND	Ground for drive circuit
13	ALM2	Alarm signal output 2 (Low side)
14	GND	Ground for drive circuit
15	INA	Control input A (Low side)
16	GND	Ground for drive circuit
17	MOD	Mode select
18	GND	Ground for drive circuit
19	RTC	Recovery time of protection circuit control
20	GND	Ground for drive circuit

Product Lineup
Gate Driver Unit
4DUx Series



Applications



Features

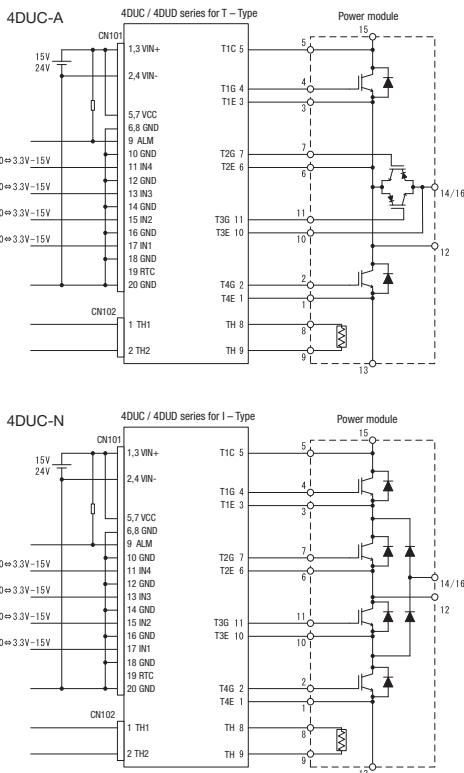
1. High insulation voltage (AC5kV)
2. Low profile (14mmMax, From the board mounting position)
3. Low stray capacity (12pF TYP)
4. Wide input voltage range (DC13V-28V)

Standards

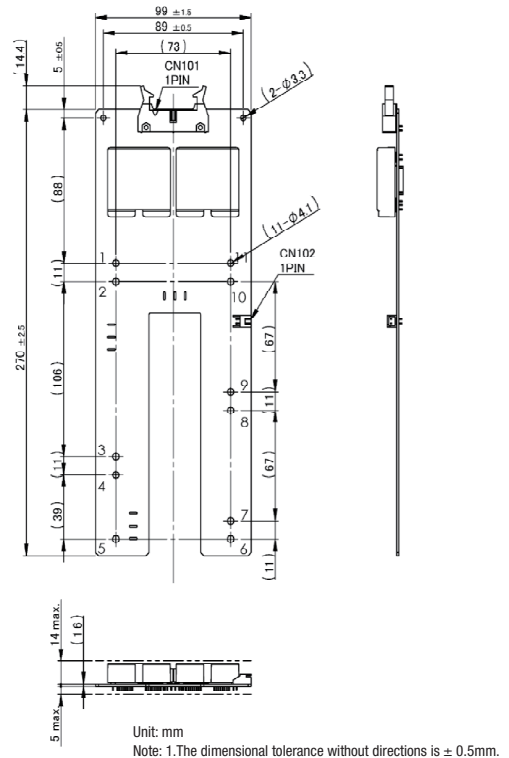
UL508 compliant

It is an optimum gate driver for 3-Level circuit IGBT (4in1).
We prepared two models for T-TYPE and I-TYPE
with a low profile of almost the same height as the T-Prime terminals.

Application Image



Outline Dimensional Drawing



General characteristics

Model		4DUD-N series	4DUC-A series	
		4DUD51016CFN1	4DUC51016CFA1	4DUC51016CFA2
Application		4MBI600VC-120-50 (Fuji Electric)	4MBI900VB-120R1-50 (Fuji Electric)	4MBI900VB-120R1-50 (Fuji Electric)
Input	Input Voltage Range	DC13V ~ 28V		
	Logic Input Voltage	DC3.3 ~ 5V		
Output	Number of Output	4		
	Gate Voltage (ON)	+14V ~ +16V		
	Gate Voltage (OFF)	-9V ~ -11V		
	Maximum Gate Charge	5700nC	T1,T4 : 8500nC, T2,T3 : 4300nC	T1,T4 : 8500nC T2,T3 : 3900nC
	Maximum Switching Frequency	7.5kHz (Ave), 15kHz (Peak)		
Insulation	Withstand Voltage	Primary to secondary : AC5000V		
	Delay Time	±130ns (TYP)		
	Minimum Clearance Distance	Primary to secondary : 14mm		
	Minimum Creepage Distance	Primary to secondary : 14mm		
Function	Desaturation Protection	T1,T4 : Yes, T2,T3 : None		
	Soft Turn Off	Yes		
	Miller Clamp	None	None	None
	Active Clamp	Yes	None	None
	Protection Release Condition	Auto Recovery, Interval: 110 ms (TYP)		
Environment	Ambient Temperature (Operating)	-40 ~ +85°C (Input Voltage: DC13V ~ 18V) -40 ~ +75°C (Input Voltage: DC18V ~ 28V)		
	Ambient Humidity (Operating)	20 ~ 95%RH (Nil condensation)		
	Ambient Temperature (Storage)	-40 ~ +90°C		
	Ambient Humidity (Storage)	5 ~ 95%RH (Nil condensation)		

*The content of this document is subject to change without prior notice for the purpose of improvements, etc.

Pin assignment

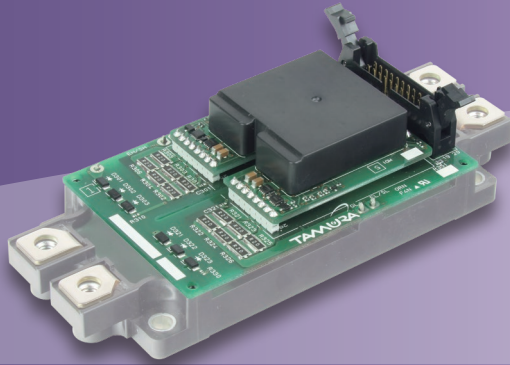
CN101 : RA-H201SD / JST

Pin No.	Name	Function
1	VIN+	Power supply for DC/DC converter(+)
2	VIN-	Power supply for DC/DC converter(-)
3	VIN+	Power supply for DC/DC converter(+)
4	VIN-	Power supply for DC/DC converter(-)
5	VCC	Power supply for drive circuit
6	GND	Ground for drive circuit
7	VCC	Power supply for drive circuit
8	GND	Ground for drive circuit
9	ALM	Alarm signal output
10	GND	Ground for drive circuit
11	IN4	Control input 4
12	GND	Ground for drive circuit
13	IN3	Control input 3
14	GND	Ground for drive circuit
15	IN2	Control input 2
16	GND	Ground for drive circuit
17	IN1	Control input 1
18	GND	Ground for drive circuit
19	RTC	Recovery time of protection circuit control
20	GND	Ground for drive circuit

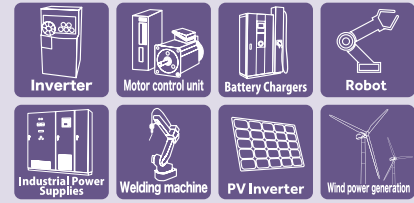
CN102 : S2B-XH-A /JST

Pin No.	Name	Function
1	TH	For thermistor
2	TH	For thermistor

Product Lineup
Gate Driver Unit
2EG-B Series



Applications



Features

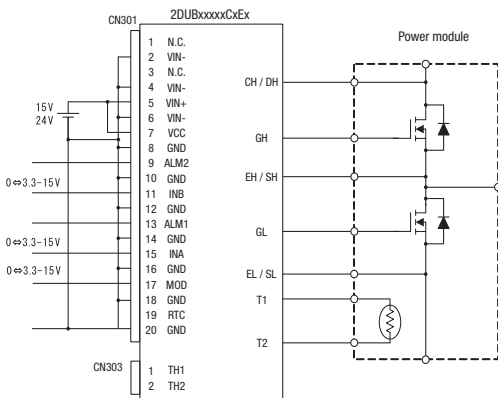
1. High insulation voltage (AC5kV)
2. Low profile (20mmMax, From the board mounting position)
3. Low stray capacity (12pF TYP)
4. Wide input voltage range (DC13V-28V)
5. Soft-turn-off/Miller-Clamp

Standards

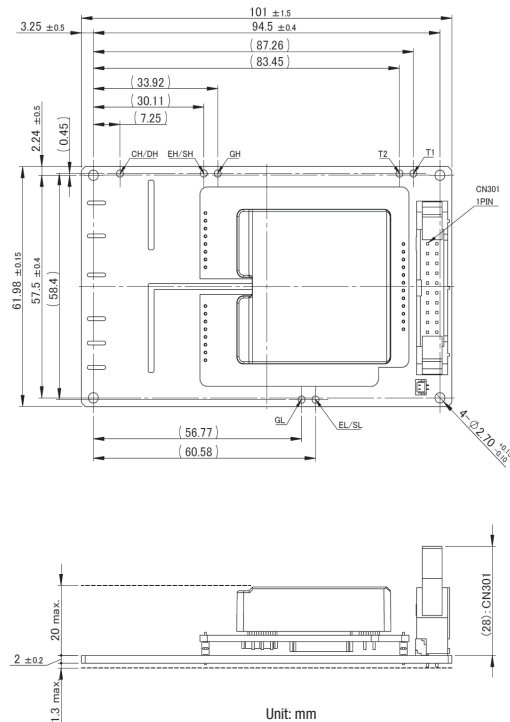
UL508 compliant

2EG-B series is suitable for SiC power module. (support to 1700V module)
Built-in isolated DC / DC converter and gate drive circuit and short circuit detection voltage have already been set.
Gate resistance is not assembled.
They must be assembled by the user before operation.

Application Image | T.B.D



Outline Dimensional Drawing | T.B.D



Specifications are subject to change without notice.

Unit: mm

Note: 1.The dimensional tolerance without directions is ± 0.5mm.

General characteristics

Model		2EG01XBCN13N	2EG01XBDN13N	2EG01XBCN14N	2EG01XBDN14N
Application		SiC MOSFET			
Input	Input Voltage Range	DC13V ~ 28V			
	Logic Input Voltage	DC3.3 ~ 18V	DC13 ~ 18V	DC3.3 ~ 18V	DC13 ~ 18V
Output	Number of Output	2			
	Gate Voltage (ON)	+17V ~ +19V			
	Gate Voltage (OFF)	-5V ~ -3V		-3V ~ -1V	
	Maximum Switching Frequency	200kHz			
Insulation	Withstand Voltage	Primary to secondary : AC5000V			
	Delay Time	±130ns (TYP)			
	Minimum Clearance Distance	T.B.D			
	Minimum Creepage Distance	T.B.D			
Function	Mode select	Direct mode / Half bridge mode can be switched			
	Desaturation Protection	Yes			
	Soft Turn Off	Yes			
	Miller Clamp	Yes			
	Active Clamp	None			
	Protection Release Condition	Auto Recovery, Interval: 110 ms (TYP)			
	Gate resistor	No mounting / Lead resistor can be mounted.			
Environment	Ambient Temperature (Operating)	-40 ~ +85°C (Input Voltage : DC13V ~ 18V)			
		-40 ~ +75°C (Input Voltage : DC18V ~ 28V)			
	Ambient Humidity (Operating)	20 ~ 95%RH (No condensation)			
	Ambient Temperature (Storage)	-40 ~ +90°C			
Ambient Humidity (Storage)	5 ~ 95%RH (No condensation)				

*The content of this document is subject to change without prior notice for the purpose of improvements, etc.

Pin assignment | T.B.D

CN101 : RA-H201TD / JST

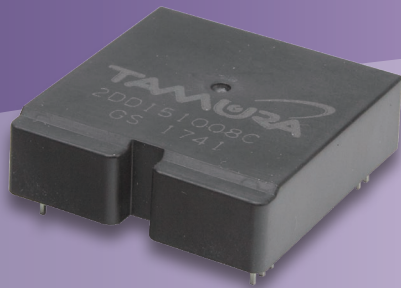
Pin No.	Name	Function
1	N.C	Unused pin
2	VIN-	Power supply for DC/DC converter(-)
3	N.C	Unused pin
4	VIN-	Power supply for DC/DC converter(-)
5	VIN+	Power supply for drive circuit
6	VIN-	Power supply for DC/DC converter(-)
7	VCC	Power supply for drive circuit
8	GND	Ground for drive circuit
9	ALM2	Alarm signal output 2 (High side)
10	GND	Ground for drive circuit

Pin No.	Name	Function
11	INB	Control input B (High side)
12	GND	Ground for drive circuit
13	ALM1	Alarm signal output 1 (Low side)
14	GND	Ground for drive circuit
15	INA	Control input A (Low side)
16	GND	Ground for drive circuit
17	MOD	Mode select
18	GND	Ground for drive circuit
19	RTC	Recovery time of protection circuit control
20	GND	Ground for drive circuit

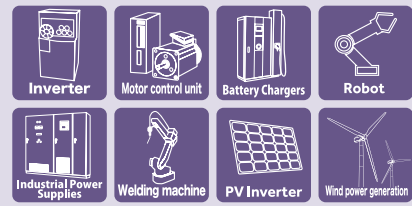
Product Lineup

DC-DC Converter for gate drive

2DD series



Applications



Features

1. High insulation voltage (AC5kV)
2. Low stray capacity (9pF TYP)
3. Low profile (12.5mm)
4. Dual output corresponding to 2 in 1
5. Wide input voltage range (DC13V-28V)

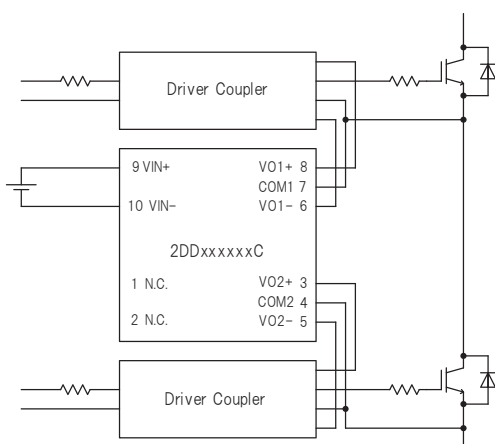
Standards

UL508 (file no.E243511)

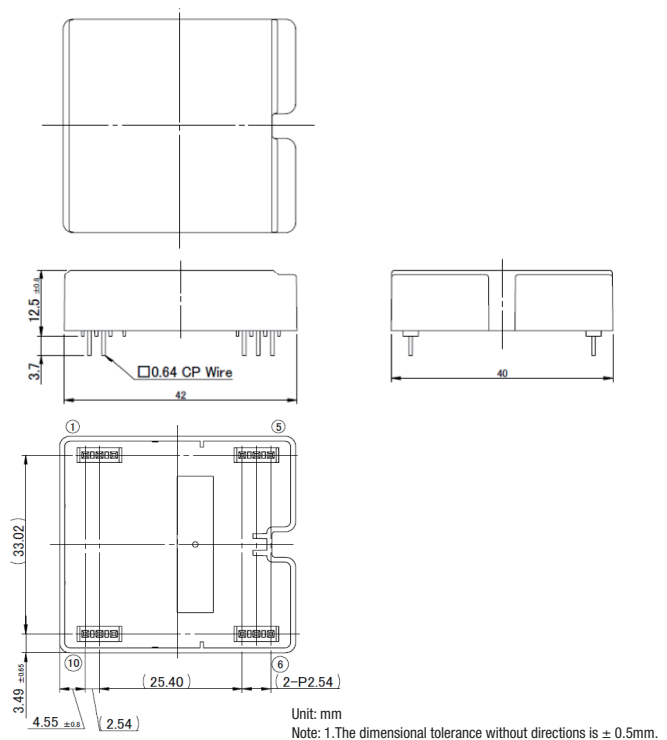
The 2DD series is a dedicated DC-DC Converter for driving various SiC and IGBT power modules.

The low parasitic capacitance (9pF) and Insulation voltage (5kV) make this product ideal for driving IGBT and SiC.

Application Image



Outline Dimensional Drawing



General characteristics

Model	2DD151507C	2DD151008C	2DD180407C	2DD180206C
Input Voltage Range	DC13V ~ 28V			
Number of Output	2			
Output Voltage (High) Vo1+,Vo2+	+14V ~ +16V	+14V ~ +16V	+17V ~ +19V	+17V ~ +19V
Output Voltage (Low) Vo1-,Vo2-	-14V ~ -16V	-9V ~ -11V	-3V ~ -5V	-1V ~ -3V
Rated Load (per 1ch)	0.11A	0.16A	0.16A	0.16A
Efficiency (DC24V, Rated load, Ta=25°C)	79.5% (typ)	79.5% (typ)	79.0% (typ)	78.5% (typ)
Line Regulation (Rated load, Ta=25°C)	50mV (typ)	50mV (typ)	50mV (typ)	50mV (typ)
Load Regulation (DC24V, 10mA ~ Rated load, Ta=25°C)	200mV (typ)	200mV (typ)	200mV (typ)	200mV (typ)
Ripple	250mVpp	150mVpp	150mVpp	150mVpp
Ripple & Noise	300mVpp	200mVpp	200mVpp	200mVpp
Protection	Over Current Protection	Auto recovery		
	Over Temperature Protection	Auto recovery		
Insulation	Withstand voltage	Primary to secondary : AC5000V		
		Secondary to secondary : AC4000V		
	Insulation Resistance	DC500V 100MΩmin		
	Isolation Capacitance	9pF (typ)		
Environment	Ambient Temperature (Operating)	-40 ~ +85°C (Input Voltage : DC13V ~ 18V)		
		-40 ~ +75°C (Input Voltage : DC13V ~ 28V)		
	Ambient Humidity (Operating)	20 ~ 95%RH (No condensation)		
	Ambient Temperature (Storage)	-40 ~ +90°C		
	Ambient Humidity (Storage)	5 ~ 95%RH (No condensation)		
	Shock	490m/s ² 11ms X,Y,Z direction each once		

*The content of this document is subject to change without prior notice for the purpose of improvements, etc.ction ea

Pin assignment

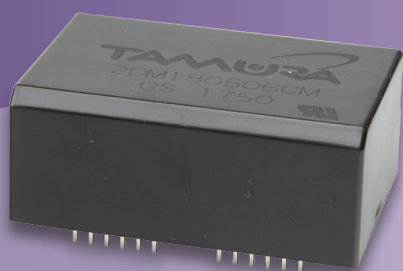
Pin No.	Name
1	N.C.
2	N.C.
3	VO2+
4	COM2
5	VO2-
6	VO1-
7	COM1
8	VO1+
9	VIN+
10	VIN-

Product Lineup

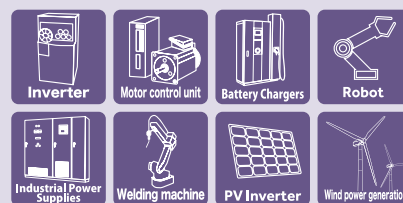
Gate Driver Module

2DM Series

Not recommended for new designs.



Applications



Features

1. Low common mode noise (parasitic capacitance: 15pF TYP)
2. Fast response (100ns TYP)
3. All-in-one (built-in DC-DC converter/ Gate driver)
4. It corresponds to a module of 2in1 type. 2 drive circuits are separate respectively.
5. Dielectric withstand voltage: AC2500Vrms
6. Electrolytic capacitor-less

Standards

UL508 (file no.E243511)

* 2CG-B and 2CG-D series are recommended.

General characteristics

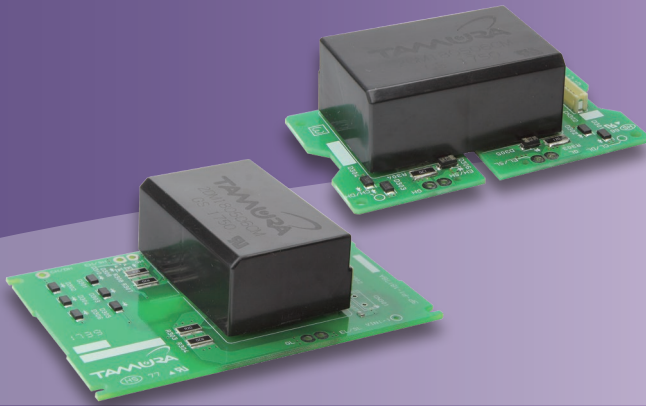
Model		2DM180506CM	2DM180206CM	2DM150806CM	2DM150606CM
Input	Supply voltage range	DC 13V ~ DC 28V / DC 24V			
	Input signal voltage	DC 5V			
Output	Number of drive circuits	2			
	Maximum output power	3W (per circuit)			
	Output terminal voltage (H)	+17V ~ +19V	+17V ~ +19V	+14V ~ +16V	+14V ~ +16V
	Output terminal voltage (L)	-4V ~ -6V	-1V ~ -3V	-7V ~ -9V	-5V ~ -7V
	Switching frequency	200kHz max			
	Gate drive capability	2400nC / 50kHz	2800nC / 50kHz	2400nC / 50kHz	2600nC / 50kHz
		600nC / 200kHz	700nC / 200kHz	600nC / 200kHz	650nC / 200kHz
			(When the output power per circuit is equivalent to 3W)		
Maximum output current	18A peak (guaranteed by design)				
Delay time		100nsec. (typ.)			
Mirror clamp detection		Operation with Output terminal voltage +2Vtyp. ; -3A peak (guaranteed by design)			
Desaturation protection function		Fault signal output function; Recovery by turning on the reset input again.			
Signal transmission method (isolation circuit)		Magnetic Isolator			
Dielectric withstand voltage		AC2500V/ 1min. Note: Between primary and secondary; Between drive circuits			
Operating temperature range		-40°C to +85°C; Maximum output power at 85°C : Approximately 0.75W (per circuit) Note: Temperature derating may occur depending on the drive conditions.			
Operating humidity range		20% to 95% RH (No condensation)			

Product Lineup

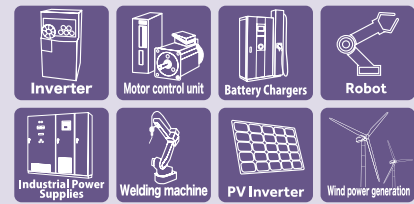
Gate Driver Unit

2DU Series

Not recommended for new designs.



Applications



Features

1. Easy product directly attachable to ROHM SiC power module
2. Low common mode noise (parasitic capacitance: 15pF TYP)
3. Fast response (100ns TYP)
4. Dielectric withstand voltage: AC2500Vrms
5. Electrolytic capacitor-less

Standards

UL508 compliant

* 2EG-B series are recommended.

General characteristics

Model		2DU180506MR01	2DU180506MR02	2DU180506MR03	2DU180506MR04	2DU180206MR01	2DU180206MR02	2DU180206MR04	
Application		BSM120D12P2C005	BSM300D12P2E001 BSM400D12P2G003	BSM080D12P2C008	BSM180D12P2E002	BSM180D12P3C007	BSM300D12P3E005 BSM400D12P3G002	BSM600D12P3G001	
Input	Input Voltage Range	DC13V ~ 28V							
	Logic Input Voltage	DC5V							
Output	Number of Output	2							
	Gate Voltage (ON)	+17V ~ +19V							
	Gate Voltage (OFF)	-6V ~ -4V				-3V ~ -1V			
	Maximum Gate Charge	690nC	1910nC 2300nC	390nC	1050nC	600nC	760nC 1100nC	1500nC	
	Maximum Switching Frequency (Ta=55°C)	90kHz	60kHz 50kHz	200kHz	100kHz	100kHz	160kHz 120kHz	90kHz	
Maximum Switching Frequency (Ta=85°C)	30kHz	15kHz 12kHz	50kHz	25kHz	35kHz	40kHz 30kHz	20kHz		
Insulation	Withstand Voltage	Primary to secondary : AC2500V							
	Delay Time	±100ns (TYP)							
	Minimum Clearance Distance	Primary to secondary : 6mm Secondary to secondary : 6mm							
	Minimum Creepage Distance	Primary to secondary : 6mm Secondary to secondary : 6mm							
Function	Mode select	None							
	Desaturation Protection	Yes							
	Soft Turn Off	None							
	Miller Clamp	Yes							
	Active Clamp	None							
Environment	Protection Release Condition	Restore by inputting again (Reset input pin)							
	Ambient Temperature (Operating)	-40°C to +85°C (See above for corresponding maximum switching frequency)							
	Ambient Humidity (Operating)	20 ~ 95%RH (No condensation)							
	Ambient Temperature (Storage)	-40 ~ +100°C							
	Ambient Humidity (Storage)	5 ~ 95%RH (No condensation)							

*The content of this document is subject to change without prior notice for the purpose of improvements, etc.

Product Cross reference



You can refer to gate driver's web selection guide from this code

Product line-up for FUJI Electric "DualXT Type"

Ic	Part No	Gate Driver Unit	Gate Driver Module	DC-DC Power Supply
Vce=1200V				
225	2MBI225XNA120-50	2EG01XCCN11N 2EG01XCDN11N	2CG010BBC11N 2CG010BBC12N 2CG010DBC11N 2CG010DBC12N	2DD151507C / 2DD151008C
300	2MBI300XNA120-50			
450	2MBI450XNA120-50			
600	2MBI600XNG120-50			
600	2MBI600XNE120-50			
800	2MBI800XNE120-50			
1000	2MBI1000XRNE120-50			
Vce=1700V				
225	2MBI225XNA170-50	2EG01XCCN11N 2EG01XCDN11N	2CG010BBC11N 2CG010BBC12N 2CG010DBC11N 2CG010DBC12N	2DD151507C / 2DD151008C
300	2MBI300XNA170-50			
450	2MBI450XNA170-50			
600	2MBI600XNE170-50			
600	2MBI600XNG170-50			
800	2MBI800XRNE170-50			

Product line-up for FUJI Electric "Standard2 Type"

Ic	Part No	Gate Driver Unit	Gate Driver Module	DC-DC Power Supply			
Vce=1200V							
100	2MBI100XAA120-50	/	2CG010BBC11N 2CG010BBC12N 2CG010DBC11N 2CG010DBC12N	2DD151507C / 2DD151008C			
150	2MBI150XAA120-50						
200	2MBI200XAA120-50						
200	2MBI200XBE120-50						
300	2MBI300XBE120-50						
300	2MBI300XHA120-50						
400	2MBI400XDE120-50						
450	2MBI450XHA120-50						
450	2MBI450XEE120-50						
600	2MBI600XDE120-50						
600	2MBI600XHA120-50						
600	2MBI600XEE120-50						
Vce=1700V							
75	2MBI75XAA170-50				/	2CG010BBC11N 2CG010BBC12N 2CG010DBC11N 2CG010DBC12N	2DD151507C / 2DD151008C
100	2MBI100XAA170-50						
150	2MBI150XAA170-50						
150	2MBI150XHA170-50						
200	2MBI200XHA170-50						
300	2MBI300XHA170-50						
300	2MBI300XEE170-50						
400	2MBI400XHA170-50						
400	2MBI400XEE170-50						

Product line-up for FUJI Electric "PrimePACK™ Type"

Ic	Part No	Gate Driver Unit	Gate Driver Module	DC-DC Power Supply
Vce=1200V				
900	2MBI900XXA120P-50	Semi-optimized products. Please contact us.	2CG010BBC11N 2CG010BBC12N 2CG010DBC11N 2CG010DBC12N	2DD151507C / 2DD151008C
	2MBI900XXA120E-50			
1200	2MBI1200XXE120P-50			
	2MBI1200XXE120E-50			
1400	2MBI1400XXB120P-50			
1800	2MBI1800XXF120P-50			
2400	2MBI2400XXRG120-50			
Vce=1700V				
650	2MBI650XXA170-50	Semi-optimized products. Please contact us.	2CG010BBC11N 2CG010BBC12N 2CG010DBC11N 2CG010DBC12N	2DD151507C / 2DD151008C
1200	2MBI1200XXE170-50			
1000	2MBI1000XXB170-50			
1400	2MBI1400XXB170-50			
1800	2MBI1800XXF170-50	2PG010DCC11N 2PG010DDC11N		
1800	2MBI1800XXG170-50	2QG010DDC11N		

Product Cross reference



You can refer to gate driver's web selection guide from this code

Product line-up for FUJI Electric "PrimePACK™ 3-Level Type"

Ic	Ic (T2,T3)	Part No	Gate Driver Unit	Gate Driver Module	DC-DC Power Supply
Vce=1200V (T1,T4)					
900	450	4MBI450VB-120R1-50	Under planning	/	2DD151507C / 2DD151008C
900	650	4MBI650VB-120R1-50			
900	900	4MBI900VB-120R1-50			
900	900	4MBI900VB-120RA-50			
1200	600	4MBI600VC-120-50			
Vce=1700V (T1,T4)					
1200	450	4MBI450VB-170R2-50	Under planning	/	2DD151507C / 2DD151008C
1200	600	4MBI600VB-170R2-50			

Note1: PrimePACK™ is registered trademark of Infineon Technologies AG, Germany.

Product line-up for Mitsubishi Electric "NX Type"

Ic	Part No	Gate Driver Unit	Gate Driver Module	DC-DC Power Supply
Vce=1200V				
225	CM225DX-24T1	2EG01XCCN11N 2EG01XCDN11N	2CG010BBC11N 2CG010BBC12N 2CG010DBC11N 2CG010DBC12N	2DD151507C / 2DD151008C
225	CM225DX-24T			
300	CM300DX-24T1			
300	CM300DX-24T			
450	CM450DX-24T1			
450	CM450DX-24T			
600	CM600DX-24T1			
600	CM600DX-24T			
800	CM800DX-24T1			
Vce=1700V				
225	CM225DX-34T	2EG01XCCN11N 2EG01XCDN11N	2CG010BBC11N 2CG010BBC12N 2CG010DBC11N 2CG010DBC12N	2DD151507C / 2DD151008C
300	CM300DX-34T			
450	CM450DX-34T			
600	CM600DX-34T			

Product line-up for Mitsubishi Electric "Std Type"

Ic	Part No	Gate Driver Unit	Gate Driver Module	DC-DC Power Supply
Vce=1200V				
300	CM300DY-24T	/	2CG010BBC11N 2CG010BBC12N 2CG010DBC11N 2CG010DBC12N	2DD151507C / 2DD151008C
450	CM450DY-24T			
600	CM600DY-24T			
Vce=1700V				
300	CM300DY-34T	/	2CG010BBC11N 2CG010BBC12N 2CG010DBC11N 2CG010DBC12N	2DD151507C / 2DD151008C
400	CM400DY-34T			

Product line-up for Mitsubishi Electric "LV100 (Industrial) Type"

Ic	Part No	Gate Driver Unit		Gate Driver Module	DC-DC Power Supply
		Leader	Follower		
Vce=1200V					
800	CM800DW-24T	2LG02ADCC11M 2LG02ADDC11M	2LG02ADZC11S	2CG010BBC11N 2CG010BBC12N 2CG010DBC11N 2CG010DBC12N	2DD151507C / 2DD151008C
1200	CM1200DW-24T				
Vce=1700V					
800	CM800DW-34T CM800DW-34TA	2LG01ADCC11M 2LG01ADDC11M	2LG01ADZC11S	2CG010BBC11N 2CG010BBC12N 2CG010DBC11N 2CG010DBC12N	2DD151507C / 2DD151008C
1200	CM1200DW-34T				

Product Cross reference



You can refer to gate driver's web selection guide from this code

Product line-up for Infineon Technologies "EconoDUAL™ Type"

lc	Part No	Gate Driver Unit	Gate Driver Module	DC-DC Power Supply
Vce=1200V				
150	FF150R12MS4G	2EG01XCCN11N 2EG01XCDN11N	2CG010BBC11N 2CG010BBC12N 2CG010DBC11N 2CG010DBC12N	2DD151507C / 2DD151008C
225	FF225R12ME4			
225	FF225R12MS4			
300	FF300R12ME4			
300	FF300R12MS4			
450	FF450R12ME4			
600	FF600R12ME4			
900	FF900R12ME7	Vce=1700V		
225	FF225R17ME4	2EG01XCCN11N 2EG01XCDN11N	2CG010BBC11N 2CG010BBC12N 2CG010DBC11N 2CG010DBC12N	2DD151507C / 2DD151008C
300	FF300R17ME4			
450	FF450R17ME4			
600	FF600R17ME4			
750	T.B.D			
900	T.B.D			

Product line-up for Infineon Technologies "PrimePACK™ Type"

lc	Part No	Gate Driver Unit	Gate Driver Module	DC-DC Power Supply
Vce=1200V				
900	FF900R12IE4	Semi-optimized products. Please contact us.	2CG010BBC11N 2CG010BBC12N 2CG010DBC11N 2CG010DBC12N	2DD151507C / 2DD151008C
1200	FF1200R12IE5			
1400	FF1400R12IP4			
Vce=1700V				
650	FF650R17IE4	Semi-optimized products. Please contact us.	2CG010BBC11N 2CG010BBC12N 2CG010DBC11N 2CG010DBC12N	2DD151507C / 2DD151008C
1200	FF1200R17IP5			
1000	FF1000R17IE4			
1400	FF1400R17IP4			

Note1: EconoDUAL™ is registered trademark of Infineon Technologies AG, Germany. Note2: PrimePACK™ is registered trademark of Infineon Technologies AG, Germany.

Product line-up for Infineon Technologies "PrimePACK™ 3+ Type"

lc	Part No	Gate Driver Unit	Gate Driver Module	DC-DC Power Supply
Vce=1200V				
900	FR900R12IE4D	Semi-optimized products. Please contact us.	2CG010BBC11N 2CG010BBC12N 2CG010DBC11N 2CG010DBC12N	2DD151507C / 2DD151008C
1500	FF1500R12IE5			
1800	FF1800R12IE5			
Vce=1700V				
1500	FF1500R17IP5	Semi-optimized products. Please contact us.	2CG010BBC11N 2CG010BBC12N 2CG010DBC11N 2CG010DBC12N	2DD151507C / 2DD151008C
1800	FF1800R17IP5			

Product line-up for ROHM Semiconductor "SiC C Type"

lc	Part No	Gate Driver Unit	Gate Driver Module	DC-DC Power Supply
Vce=1200V				
80	BSM080D12P2C008	/	2CG010BBC13N	2DD180407C
120	BSM120D12P2C005		2CG010BBC14N	2DD180206C
180	BSM180D12P3C007			

Product line-up for ROHM Semiconductor "SiC E Type"

lc	Part No	Gate Driver Unit	Gate Driver Module	DC-DC Power Supply
Vce=1200V				
180	BSM180D12P2E002	2EG01XBCN13N	2CG010BBC13N	2DD180407C
300	BSM300D12P2E001	2EG01XBDN13N		
300	BSM300D12P3E005	2EG01XBCN14N 2EG01XBDN14N	2CG010BBC14N	2DD180206C
Vce=1700V				
250	BSM250D17P2E004	2EG01XBCN13N 2EG01XBDN13N	2CG010BBC13N	2DD180407C

Product line-up for ROHM Semiconductor "SiC G Type"

lc	Part No	Gate Driver Unit	Gate Driver Module	DC-DC Power Supply
Vce=1200V				
400	BSM400D12P2G003	2EG01XBCN13N 2EG01XBDN13N	2CG010BBC13N	2DD180407C
400	BSM400D12P3G002	2EG01XBCN14N	2CG010BBC14N	2DD180206C
600	BSM600D12P3G001	2EG01XBDN14N		

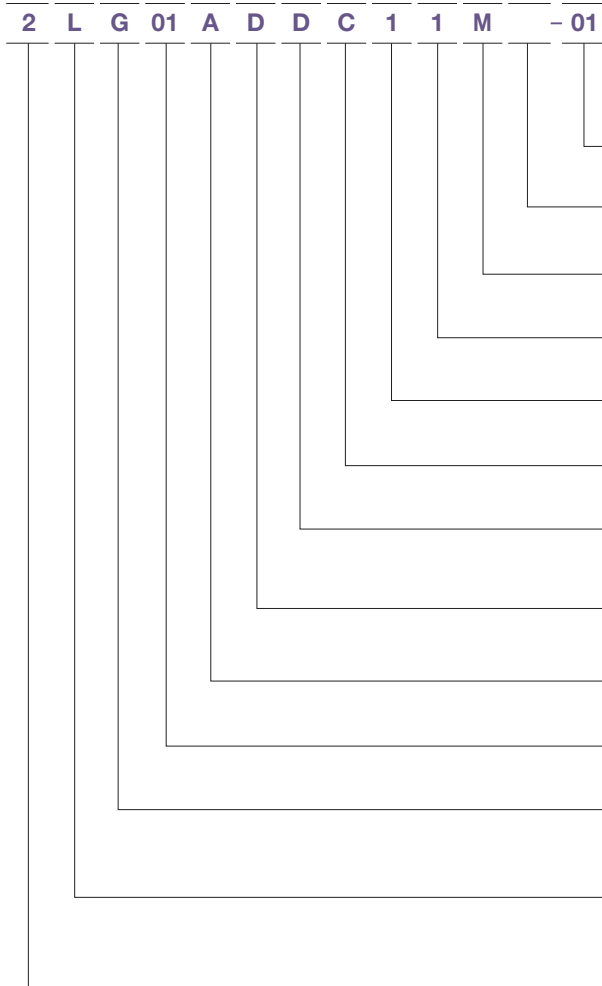
*1: Under development

Part numbering system



You can refer to gate driver's web selection guide from this code

* For system description. Not all combinations are possible.



*Not all combinations are possible.

Customer code	*Secret
packing	Notingh: Collective packing P: Individual packaging
Mastet Slave	N: Nomal, M: Leader (Possible parallel), S: Follower
Output voltage	1: +15V/-10V, 2: +15V/-15V, 3: +18V/-4V, 4: +18V/-2V
DCDC type	1: 4W/ 2 output type, 2: 0: Not equipped
Coating	C: Yes, N: No
Input signal	B: 3.3-5V, C: 3.3-15V, D: 15V, V: Optical communication, Z: Slave
Protection function	A: UVLO, B: UVLO+ Soft turn off + Miller clamp, C: UVLO + Soft turn off, D: UVLO + Soft turn off + Active clamp
Extra function	0: Nothing, A: Sub PCB equipped
Support number	Identification of Gate resistors, DESAT capacitors, etc. (00: No gate resistance)
Category	G: Gate driver
Device package	E: EconoDual™ / P: PrimePACK™ / Q: PrimePACK™3+ / L: LV100 XHP™2 A: T-Type(A-NPC) / N: I-Type(NPC) / C: Driver core / S: 62mm standard
Output number	

XHP™2 is registered trademark of Infineon Technologies AG, Germany.
PrimePACK™ is registered trademark of Infineon Technologies AG, Germany.
EconoDUAL™ is registered trademark of Infineon Technologies AG, Germany.

Important notice

Usage Cautions

- Always mount fuse on the plus side of input for ensuring safety because the fuse is not built-in the product. Please select the fuse considering conditions such as steady current, inrush current, and ambient temperature. When using a fuse having large rated current or high capacity input electrolytic condenser, by combining another converter and input line and input electrolytic condenser, fuse may not blow off in the case of abnormality. Do not combine high voltage line and fuse.
- This product is designed to be best when it drives two devices to have the same gate capacitance simultaneously. Because it leads to the "output unstable" and "output accuracy deterioration". If you want to use to drive only one of the devices, because of the output voltage accuracy deterioration prevention, please configure the dummy gate circuit (resistor and capacitor) to consume the equivalent of the power and the drive side.
- This product is to transmit the signal of the insulating part by the magnetic coupling. Therefore, if you use this product in a strong magnetic field in, there is a possibility of malfunction. In that case, connect the capacitor between the GND terminal of this product and a metal enclosure.
- Make sure the rise/fall time of the input signal is 500ns or less.

Important Notice

- This information and product are subject to change without prior notice for the purpose of improvements, etc. Ensure that you are in possession of the most up-to-date information when using this product.
- The operation examples and circuit examples shown in this document are for reference purposes only, and TAMURA Corporation disclaims all responsibility for any violations of industrial property rights, intellectual property rights and any other rights owned by TAMURA Corporation or third parties that these may entail.
- The circuit examples and part constants listed in this document are provided as reference for the verification of characteristics. You are to perform design, verification, and judgment at your own responsibility, taking into account the various conditions.
- TAMURA has evaluated the efficiency and performance of this product in a usage environment determined by us. Depending on your usage environment or usage method, there is the possibility that this product will not perform sufficiently as shown in the specifications, or may malfunction. When applying this product to your devices or systems, please ensure that you conduct evaluations of their state when integrated with this product. You are responsible for judging its applicability. TAMURA bears no responsibility whatsoever for any problems with your devices, systems or this product which are caused by your usage environment or usage method.
- TAMURA Corporation constantly strives to improve quality and reliability, but malfunction or failures are bound to occur with some probability in power products. To ensure that failures do not cause accidents resulting in injury or death, fire accidents, social damage, and so on, you are to thoroughly verify the safety of their designs in devices and/or systems, at your own responsibility.
- This product is intended for use in consumer electronics (electric home appliances, business equipment, Information equipment, communication terminal equipment, measuring devices, and so on.) If considering use of this product in equipment or devices that require high reliability (medical devices, transportation equipment,

Important notice

traffic signal control equipment, fire and crime prevention equipment, aeronautics and space devices, nuclear power control, fuel control, in-vehicle equipment, safety devices, and so on), please consult a TAMURA sales representative in advance. Do not use this product for such applications without written permission from TAMURA Corporation.

- This product is intended for use in environments where consumer electronics are commonly used. It is not designed for use in special environments such as listed below, and if such use is considered, you are to perform thorough safety and reliability checks at your own responsibility.
 - Use in liquids such as water, oil, chemical solutions, or organic solvents, and use in locations where the product will be exposed to such liquids.
 - Use that involves exposure to direct sunlight, outdoor exposure, or dusty conditions.
 - Use in locations where corrosive gases such as salt air, C12, H2S, NH3, SO2, or NO2, are present.
 - Use in environments with strong static electricity or electromagnetic radiation.
 - Use that involves placing inflammable material next to the product.
 - Use of this product either sealed with a resin filling or coated with resin.
 - Use of water or a water soluble detergent for flux cleaning.
 - Use in locations where condensation is liable to occur.

- This product is not designed to resist radiation.

- This product is not designed to be connected in series or parallel. Do not operate this product in a series, parallel, or N+1 redundant configuration.

- Do not use or otherwise make available the TAMURA products or the technology described in this document for any military purposes, including without limitation, for the design, development, use, stockpiling or manufacturing of mass destruction weapons (e.g. nuclear, chemical, or biological weapons or missile technology products). When exporting and re-exporting the products or technology described in this document, you should comply with the applicable export control laws and regulations and follow the procedures required by such laws and regulations including, without limitation, Japan -Foreign Exchange and Foreign Trade Control Law and U.S.- Export Administration Regulations. The TAMURA products and related technology should not be used for or incorporated into any products or systems whose manufacture, use, or sale is prohibited under any applicable domestic or foreign laws or regulations.

- Please contact your TAMURA sales office for details as to environmental matters such as the RoHS compatibility of product. Please use TAMURA products in compliance with all applicable laws and regulations that regulate the inclusion or use of controlled substances, including without limitation, the EU RoHS Directive. TAMURA assumes no liability for damages or losses occurring as a result of your noncompliance with applicable laws and regulations.

- TAMURA assumes no liability for damages or losses incurred by you or third parties as a result of unauthorized use of TAMURA products.

- This document and any information herein may not be reproduced in whole or in part without prior written permission from TAMURA.

TAMURA CORPORATION

<https://www.tamuracorp.com/electronics/en/>



HEAD OFFICE

1-19-43, Higashi-Oizumi, Nerima-ku, Tokyo, 178-8511 Japan

SAKADO OFFICE

5-5-30 Chiyoda Sakado-shi Saitama 350-0214 Japan
Tel : 050-3664-0495/050-3664-0496 Fax : 049-284-9183

OSAKA SALES OFFICE

Esaka-Sanshoubill 3-27-27 Tarumi-cho Suita-shi Osaka 564-0062 Japan
Tel : 050-3664-0550 Fax : 06-6385-8371

NAGOYA SALES OFFICE

3-1803, Kamiyashiro, Meito-ku, Nagoya-shi, Aichi, 465-0025 Japan
Tel : 050-3664-0559 Fax : 052-701-1295

TAMURA CORPORATION OF CHINA LIMITED

13F, Block A, International Shopping Centre Shanghai No.527
Huaihai Zhong Road, Shanghai, China
Tel : 86-21-6387-9388 Fax : 86-21-6387-9268

TAMURA ELECTRONICS(S.Z.)CO.,LTD.

101, No. 30-6, Rhine Road, Xinsheng Community, Longgang
Street, Longgang District, Shenzhen, 518116 China
Tel : 86-755-8950-2707

Taiwan Tamura Technology Co., Ltd.

New Taipei Office (Components)

13F, No.866, Chung Cheng Road, Chung Ho District,
New Taipei City, Taiwan
Tel : 886-2-8228-2001 Fax : 886-2-8228-2002

TAMURA CORPORATION OF KOREA

513, Hyundai I-Valley 31, Galmachi-ro 244 beon-gil, Jungwon-gu,
Seongnam-si Gyeonggi-do, 13212 Korea
Tel : 82-2-489-5354 Fax : 82-2-489-5360

TAMURA CORPORATION (THAILAND) CO., LTD.

1858/120 Interlink Tower 27th floor, Debaratna Road, Bangna Tai,
Bangna, Bangkok 10260, Thailand
Tel : 66-2316-2270 Fax : 66-2316-2274

TAMURA ELECTRONICS(M)SDN.BHD.

No. 2, Jalan Halba 16/16, Seksyen 16, 40200 Shah Alam,
Selangor, Malaysia
Tel : 60-3-5525-6000 Fax : 60-3-5510-1013

TAMURA CORPORATION OF AMERICA

277 Rancheros Drive #190 San Marcos, CA 92069 U.S.A.
Tel : 1-760-871-2009 Fax : 1-760-740-0536

TAMURA EUROPE LIMITED.

Clark Avenue Porte Marsh Industrial Estate Calne Wiltshire
SN11 9BS United Kingdom
Tel : 44(0)-1380-731-700 Fax : 44(0)-1380-731-703

