

EPC2152
80 V, 15 A ePower™ Stage
PRELIMINARY



EPC2152
80 V, 15 A ePower™ Stage
Preliminary Datasheet
Revision 2.0
March 2021

EPC2152

80 V, 15 A ePower™ Stage

PRELIMINARY



Key Parameters

Rated Output Current (Switching Freq = 1 MHz, Pd = 6 W) ⁽¹⁾	15 A
Operating PWM Frequency Range ⁽²⁾	3 MHz
Operating Input Voltage Range	60 V
Bias Supply Voltage	12 V

Output Current and PWM Frequency Ratings are functions of Operating Conditions. See Notes 1 & 2.

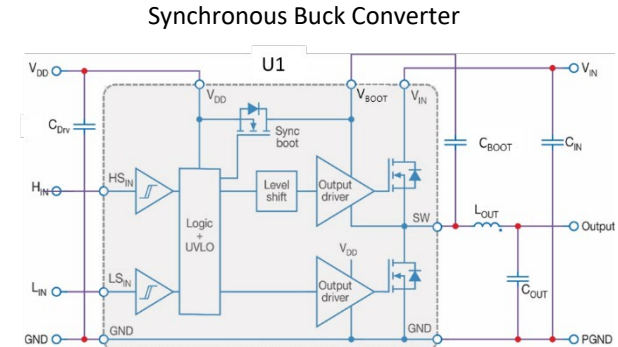
Features

- Separate and independent high side and low side control inputs
- Input signal compatible with 3.3 V or 5 V CMOS logic levels
- Tuned 1 to 2 ns switching time
- Controlled over-voltage spike at switching node
- Robust level shifter operating for hard and soft switching conditions
- False trigger immunity from fast switching transients at driven phase as well as from coupling phases
- Synchronous charging for high side bootstrap supply
- Internally regulated gate drive voltage level to drive output FETs
- Undervoltage lockout for high side and low side power supplies

Applications

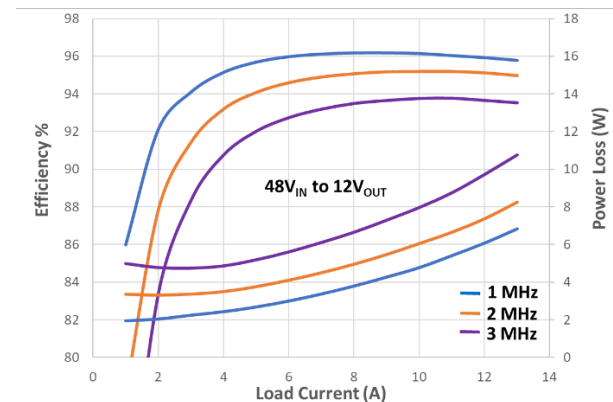
- Buck and Boost Converters
- Half-Bridge, Full Bridge or LLC Isolated Converters
- Class D Switching Audio Amplifier
- Single Phase and Three Phases Motor Drive Inverter

Typical Application



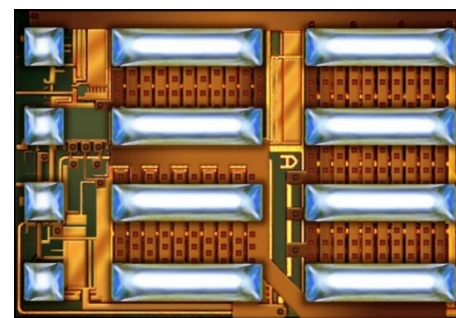
SW node peak over-voltage spike should be kept below Abs Max Ratings of $V_{SW(continuous)}$ and $V_{SW(pulse)}$.

Performance Curves



Buck Converter Topology, $V_{IN} = 48 V$, $V_{OUT} = 12 V$, Deadtime = 10ns, $L = 2.2 \mu H$, DCR = 3 mΩ, EPC90120 PCB, Airflow = 800 LFM.

Die Photo



LGA Chip Scale Package
3.85 mm x 2.59 mm x 0.63 mm

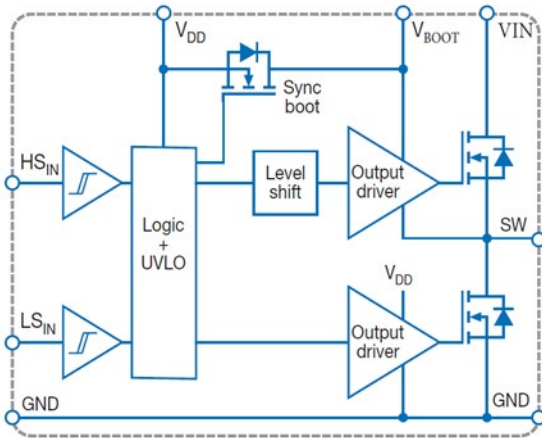
EPC2152

80 V, 15 A ePower™ Stage

PRELIMINARY



Functional Block Diagram



General Description

The EPC2152 is a single chip driver plus eGaN® FET half-bridge power stage IC. Integration is implemented using EPC's proprietary GaN IC technology. Input logic interface, level shifting, bootstrap charging and gate drive buffer circuits along with eGaN output FETs configured as a half-bridge are integrated within a monolithic chip. This results in a chip-scale LGA form factor that measures only 3.85 mm x 2.59 mm x 0.63 mm.

The two eGaN output FETs in half-bridge topology are designed to have same $R_{DS(on)}$. Integration of eGaN FETs with on-chip gate drive buffers practically eliminate effects of common source inductance and gate drive loop inductance. Power loop inductance is minimized by the LGA pinouts that facilitate optimal layout technique. Switching times are tuned internally to 1 - 2 ns rise and fall times from 0 V to 48 V at full load current. Over-voltage spikes are controlled to less

than +10 V above rail and -10 V below ground during hard switching transitions.

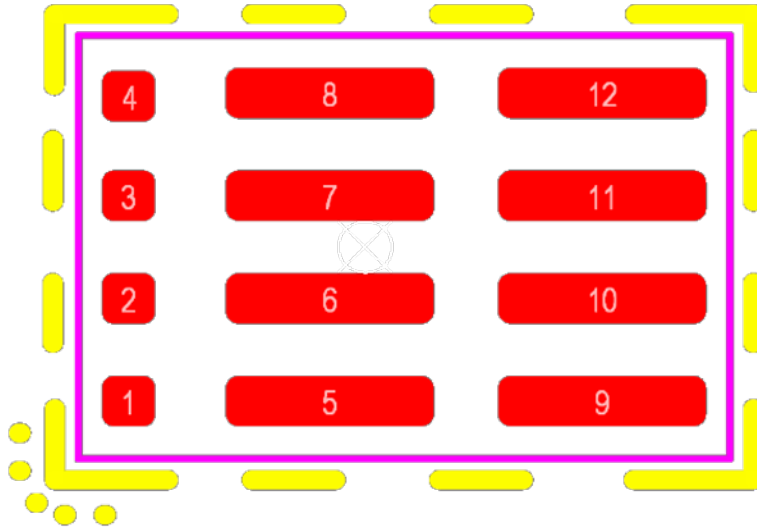
The charging path for the floating bootstrap supply is integrated using GaN FET driven by a synchronous circuit. This eliminates the need for an external bootstrap diode with associated reverse recovery charge that may result in significant power loss at high frequency switching. This synchronous bootstrap charging circuit also minimizes the voltage drop in the bootstrap charging path to ensure adequate voltage for the bootstrap power supply.

Robust level shifters from low side to high side channels are designed to operate correctly even at large negative clamped voltage and to avoid false trigger from fast dv/dt transients within driven phase and from other phases.

Internal regulation of the gate drive voltage based on feedback from the driven output FETs ensures a safe gate voltage level while still turning on the output FETs to a low $R_{DS(on)}$ state. Additional protection is provided by separate high side and low side under-voltage lockout (UVLO) circuits to avoid operating the output FETs in a high $R_{DS(on)}$ state.

The EPC2152 device is capable of interfacing to digital controllers that use standard 3.3 V or 5 V CMOS logic levels. Separate and independent high side and low side logic control inputs allow external controllers to set fixed or adaptive deadtimes for optimal operating efficiency.

Pinout Description, Pad View



Pin#	Pin Name	Pin Type	Description
1	V _{BOOT}	S	Floating bootstrap power supply referenced to SW, connect an external bypass capacitor from V _{BOOT} to SW
2	V _{DD}	S	Operating power supply referenced to GND, connect an external bypass capacitor from V _{DD} to GND
3	HS _{in}	S	High side PWM logic input, level referenced to GND
4	LS _{in}	S	Low side PWM logic input, level referenced to GND
5, 9	V _{IN}	P	Input bus voltage. Connected to high side eGaN FET drain terminal.
6, 7, 10, 11	SW	P	Output switching node. Connected to output of eGaN half-bridge power stage. The floating bootstrap power supply, V _{BOOT} , is also referenced to SW.
8, 12	GND	P	Power ground. Connected to low side eGaN FET source terminal. The operating power supply, V _{DD} , is also referenced to GND.

Pin Type : P=Power, S=Signal and Supply

EPC2152

80 V, 15 A ePower™ Stage

PRELIMINARY



Absolute Maximum Ratings

Absolute maximum ratings indicate sustained limits beyond which damage to the device may occur and device reliability may be affected. All voltage parameters are absolute voltages referenced to GND unless indicated otherwise.

Symbol	Parameter	Min	Max	Units
V_{IN}	Input Voltage (V_{IN} to GND)		80	V
$V_{SW(continuous)}$	Output Switching Node (SW to GND), Continuous		80	V
V_{DD}	Low Side Supply Voltage (V_{DD} to GND)		14	V
$V_{BOOT} - V_{SW}$	High Side Supply Voltage (V_{BOOT} to SW)		14	V
HS_{in}	High Side Logic Input (HS_{in} to GND)		5.5	V
LS_{in}	Low Side Logic Input (LS_{in} to GND)		5.5	V
T_j	Junction Temperature		150	C
T_{STG}	Storage Temperature	-55	150	C

ESD Ratings

Symbol	Parameter	Min	Max	Units
HBM	Human-body model (JEDEC JS-001)	+/-1000		V
CDM	Charged-device model (JEDEC JESD22-C101)	+/-500		V

Thermal Characteristics

$R_{\theta JA}$ is determined with the device mounted on 1 in² of copper pad, single layer 2 oz copper on FR4 board.

Symbol	Parameter	Typ	Units
$R_{\theta JC}$	Thermal Resistance, Junction to Case	0.47	°C/W
$R_{\theta JB}$	Thermal Resistance, Junction to Board	3	°C/W
$R_{\theta JA}$	Thermal Resistance, Junction to Ambient	46	°C/W

Recommended Operating Conditions

For proper operation the device should be used within the recommended conditions. All voltage parameters are absolute voltages referenced to GND unless indicated otherwise.

Symbol	Parameter	Min	Typ	Max	Units
V_{IN}	Input Voltage (V_{IN} to GND)	0		60	V
$V_{SW(Q3 Mode)}$	Output Switch Node, 3 rd Quadrant Mode ⁽³⁾	-2.5		$V_{IN} + 2.5$	V
$V_{SW(pulse2ns)}$	Output Switch Node, Transient PW<2ns ⁽⁴⁾	-10		$V_{IN} + 10$	V
V_{DD}	Low Side Supply Voltage (V_{DD} to GND)	11	12	13	V
$V_{BOOT} - V_{SW}$	High Side Supply Voltage (V_{BOOT} to V_{SW})	11	12	13	V
HS_{in}	High Side Logic Input (HS_{in} to GND)	0		5 ⁽⁵⁾	V
LS_{in}	Low Side Logic Input (LS_{in} to GND)	0		5 ⁽⁵⁾	V
T_j	Operating Junction Temperature	-40		125	°C

EPC2152

80 V, 15 A ePower™ Stage

PRELIMINARY



Electrical Characteristics

Nominal $V_{IN} = 48\text{ V}$, $V_{DD} = 12\text{ V}$ and $(V_{BOOT} - V_{SW}) = 12\text{ V}$. All ratings are specified at $T_A = 25^\circ\text{C}$ unless otherwise indicated.

Symbol	Parameter	Test Conditions	Min	Typ	Max	Units
Operating Power Supply						
I_{DDQ}	Off State Total Quiescent Current	HS_{in} & $LS_{in} = \text{OFF}$, $V_{DD}=12\text{V}$		22		mA
$I_{DD_1\text{MHz}}$	Total Operating Current @1MHz	PWM=1MHz, 50% On-Time		29		mA
$I_{DD_3\text{MHz}}$	Total Operating Current @3MHz	PWM=3MHz, 50% On-Time		42		mA
Bootstrap Power Supply						
I_{BOOTQ}	Off State Bootstrap Supply Current	$HS_{in} = \text{OFF}$, $(V_{BOOT} - V_{SW}) = 12\text{V}$		8		mA
$I_{BOOT_1\text{MHz}}$	Bootstrap Supply Current @1MHz	HS PWM=1MHz, 50% On-Time		13		mA
$I_{BOOT_3\text{MHz}}$	Bootstrap Supply Current @3MHz	HS PWM=3MHz, 50% On-Time		20		mA
V_{SYNC_BOOT}	Sync Boot Generated ($V_{BOOT} - V_{SW}$)	$I_{SYNC_BOOT} = 20\text{mA}$		11.5		V
Undervoltage Lockout						
$V_{DD}(UVLO+)$	UVLO Trip Level V_{DD} Rising	$LS_{in} = \text{ON}$, V_{DD} Ramps Up		7.50		V
$V_{DD}(HYST)$	UVLO V_{DD} Falling Hysteresis	$LS_{in} = \text{ON}$, V_{DD} Ramps Down		0.75		V
$V_{BOOT}(UVLO+)$	UVLO Trip Level ($V_{BOOT} - V_{SW}$) Rising	$HS_{in} = \text{ON}$, V_{BOOT} Ramps Up		7.25		V
$V_{BOOT}(HYST)$	UVLO ($V_{BOOT} - V_{SW}$) Falling Hysteresis	$HS_{in} = \text{ON}$, V_{BOOT} Ramps Down		0.75		V
Logic Input Pins						
V_{IH}	High-level Logic Threshold	HS_{in} , LS_{in} Rising	2.4			V
V_{IL}	Low-level Logic Threshold	HS_{in} , LS_{in} Falling			0.8	V
V_{IHyst}	Logic Threshold Hysteresis	V_{IH} Rising – V_{IL} Falling		0.5		V
R_{in}	Input Pulldown Resistance	HS_{in} , $LS_{in} = 5\text{V}$		5		k Ω
Output Power FETs						
$R_{DS(on)_HS}$	High Side FET $R_{DS(on)}$	$I_{DS} = +/-10\text{A}$, $HS_{in}=\text{ON}$, $LS_{in}=\text{OFF}$		8.5		m Ω
$V_{HS_DS_Clamp}$	High Side 3 rd Quadrant Clamp	$I_{DS} = -10\text{A}$, HS_{in} & $LS_{in} = \text{OFF}$		-2		V
$R_{DS(on)_LS}$	Low Side FET $R_{DS(on)}$	$I_{DS} = +/-10\text{A}$, $LS_{in}=\text{ON}$, $HS_{in}=\text{OFF}$		8.5		m Ω
$V_{LS_DS_Clamp}$	Low Side 3 rd Quadrant Clamp	$I_{DS} = -10\text{A}$, HS_{in} & $LS_{in} = \text{OFF}$		-2		V
I_{LEAK_VIN-SW}	Leakage Current VIN to SW	$HS_{in} = \text{OFF}$, $V_{IN} = 80\text{V}$, $SW = 0\text{V}$			100	μA
I_{LEAK_SW-GND}	Leakage Current SW to GND	$LS_{in} = \text{OFF}$, $SW = 80\text{V}$			100	μA
Dynamic Characteristics (Logic Input to Output Switching Node) (see Figure 1. Timing Diagram and Test Circuit)						
$t_{\text{delay}}_{HS_on}$	High-Side On Propagation Delay	$SW = 0\text{V}$ and HS FET Turn-On		20		ns
$t_{\text{delay}}_{LS_on}$	Low-Side On Propagation Delay	$SW = 60\text{V}$ and LS FET Turn-On		20		ns
$t_{\text{delay}}_{HS_off}$	High-Side Off Propagation Delay	$SW = 60\text{V}$ and HS FET Turn-Off		20		ns
$t_{\text{delay}}_{LS_off}$	Low-Side Off Propagation Delay	$SW = 0\text{V}$ and LS FET Turn-Off		20		ns
t_{match}_{on}	Delay Matching LS_{off} to HS_{on}	LS Turn-Off to HS Turn-On		0		ns
t_{match}_{off}	Delay Matching HS_{off} to LS_{on}	HS Turn-Off to LS Turn-On		0		ns
PW_{min}	Minimum Input Pulse-Width	50% to 50% Width		20		ns

Dynamic Characteristics Parameter Definition

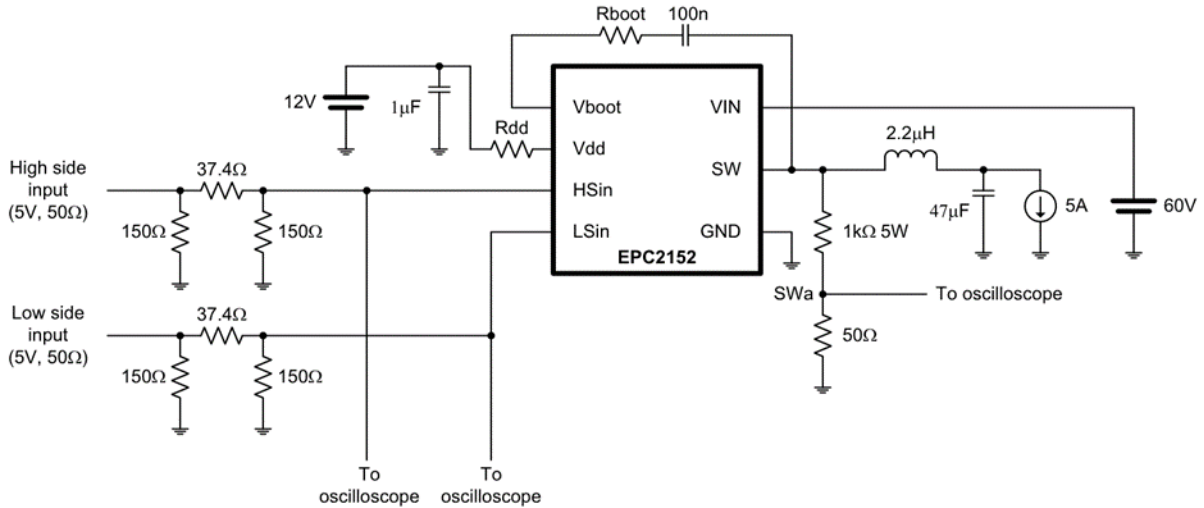


Figure 1a. Test Circuit for Dynamic Characteristics

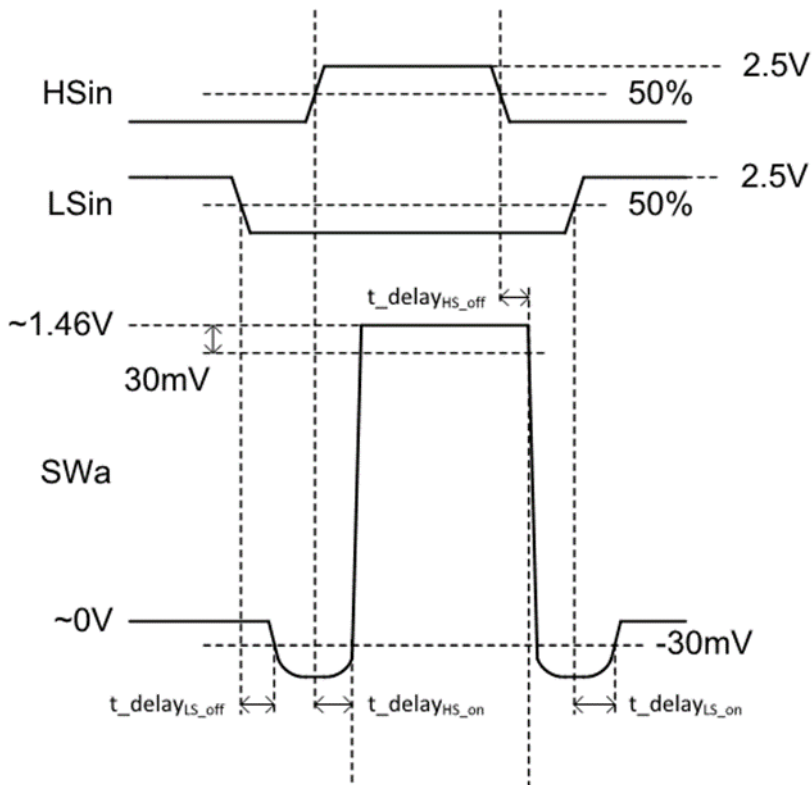


Figure 1b. Logic Input to Output Switching Node Timing Diagram

EPC2152

80 V, 15 A ePower™ Stage

PRELIMINARY



Truth Table

V _{DD}	V _{BOOT-V_{SW}}	HSin	LSin	HS FET	LS FET
<UVLO	-	-	-	OFF	OFF
>UVLO	<UVLO	-	0	OFF	OFF
>UVLO	<UVLO	-	1	OFF	ON ⁽⁵⁾
>UVLO		0	0	OFF	OFF
		0	1	OFF	ON
		1	0	ON	OFF
		1	1	BOTH ON ⁽⁶⁾	

Notes

Note 1: Output current rating is measured with $V_{in} = 48\text{ V}$, $V_{out} = 12\text{ V}$, PWM frequency = 1 MHz, PCB mounted using EPC90120 Eval Board, power dissipation from only the EPC2152 IC = 6 W, 800 LFM airflow, operating at ambient temperature of 25°C. Case temperature is measured on top of the die, with emissivity adjusted to 0.95, not to exceed 125°C. Maximum continuous output current depends on power dissipation, maximum allowed junction temperature, thermal management method and the operating environment.

Note 2: Operating PWM switching frequency range is a function of power dissipation, maximum allowed junction temperature and minimum duty cycle. EPC2152 is capable of running above 3 MHz PWM switching frequency given appropriate cooling but users need to derate the maximum output current depending on thermal management technique not to exceed $T_j = 125^\circ\text{C}$.

Note 3: The output switching node (SW) is clamped above VIN by the HS FET or below GND by the LS FET at their respective source drain voltage in the 3rd quadrant. This is an operating condition when both HS and LS FETs are in the off states during the deadtime period which is set by the application circuit with typical value of 10 ns. The Absolute Minimum Rating is determined by LS FET 3rd quadrant clamp voltage below GND. Conversely the Absolute Maximum Rating is determined by HS FET 3rd quadrant clamp voltage above VIN. The time duration that the device can stay in the negative clamp voltage region is subjected to the amount of load current, power dissipation and maximum allowed junction temperature.

Note 4: During HS FET or LS FET turn-on transitions with hard switching conditions, the fast di/dt of the HS FET or LS FET coupled with the power loop inductance ($V_{peak} = L_{power\ loop} * di/dt$) would cause a transient over-voltage spike above VIN or below GND. The Absolute Minimum Rating is amount of peak voltage spike, caused by LS FET di/dt, below GND for less than 2ns pulse duration. Conversely the Absolute Maximum Rating is amount of peak voltage spike, caused by HS FET di/dt, above VIN, for less than 2ns pulse duration.

Note 5: For logic input voltage above 5 V, a 5 kΩ resistor in series should be inserted to limit the input current into the logic input pins HS_{in} and LS_{in}.

Note 6: LS_{in} commands LS FET to turn-on to charge bootstrap supply through sync boot

Note 7: Internal logic follows HS_{in}, LS_{in} respectively and does not lock-out when both HS and LS FETs are commanded to turn on together. Users need to implement shoot through prevention logic depending on application topology. Deadtime insertion circuit must not generate overlapping pulse widths shorter than minimum pulse width specifications, that might cause both HS and LS FETs to turn-on together.

EPC2152

80 V, 15 A ePower™ Stage

PRELIMINARY



Typical Performance Characteristics

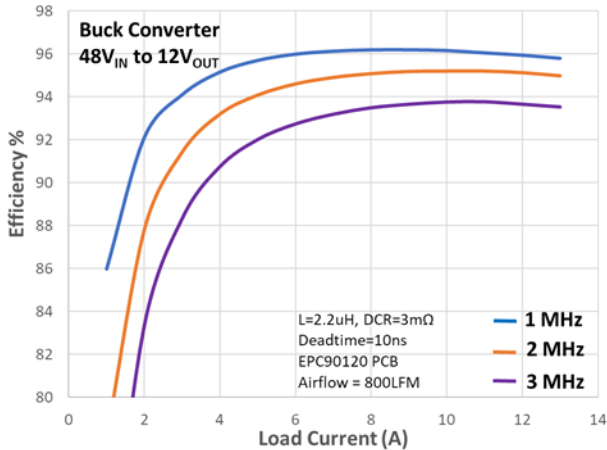


Figure 2a. 48V_{IN}-12V_{OUT} Efficiency vs. Load Current

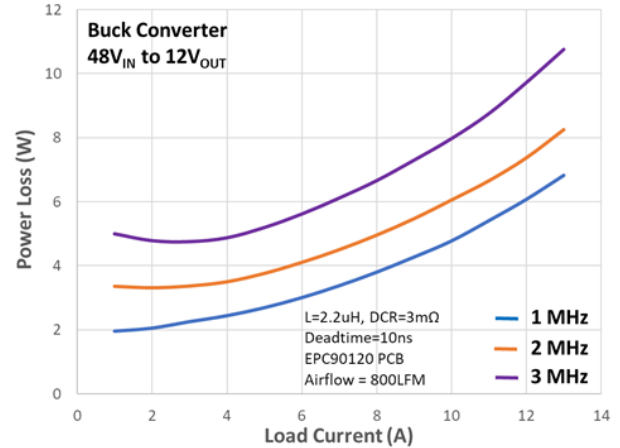


Figure 2b. 48V_{IN}-12V_{OUT} Power Loss vs. Load Current

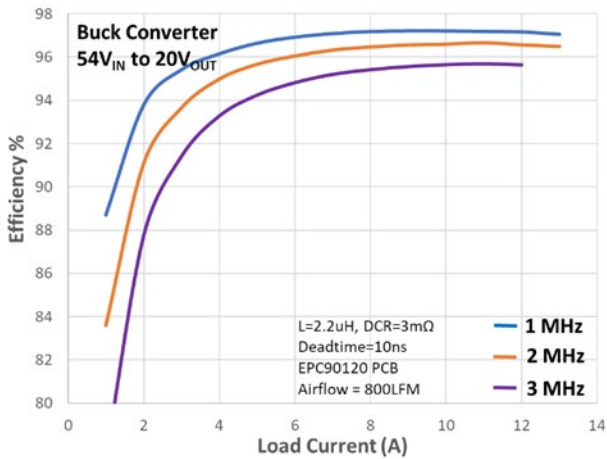


Figure 3a. 54V_{IN}-20V_{OUT} Efficiency vs. Load Current

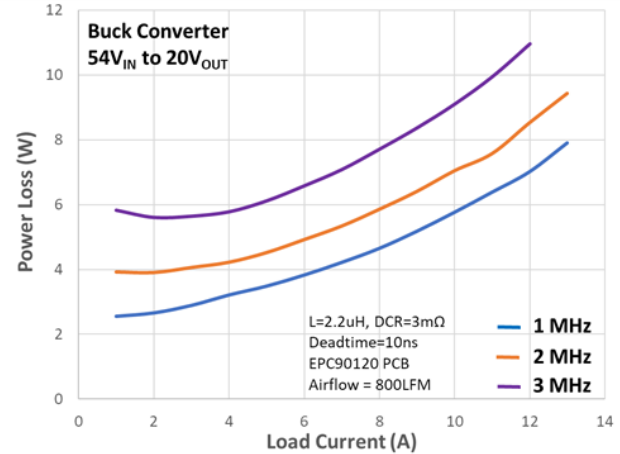


Figure 3b. 54V_{IN}-20V_{OUT} Power Loss vs. Load Current

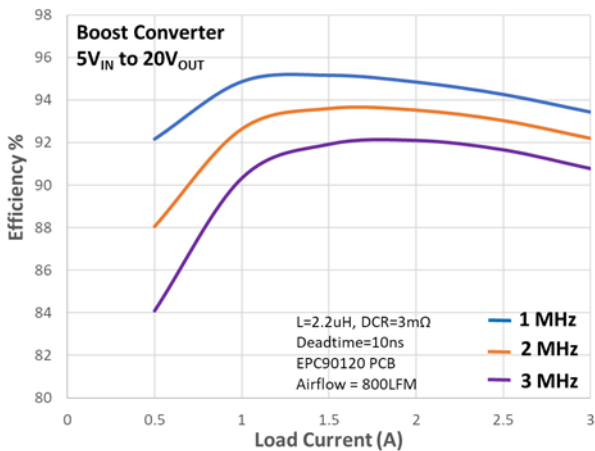


Figure 4a. 5V_{IN}-20V_{OUT} Efficiency vs. Load Current

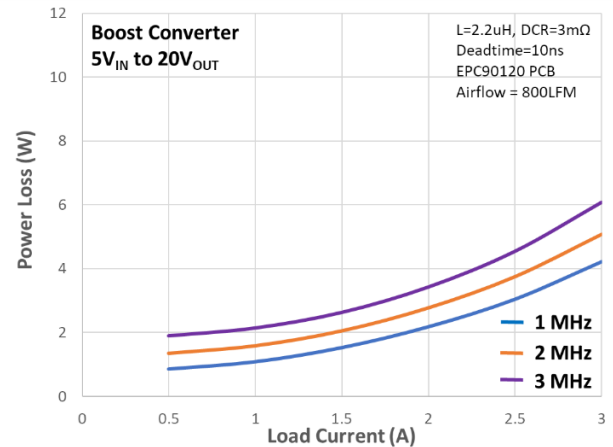


Figure 4b. 5V_{IN}-20V_{OUT} Power Loss vs. Load Current

Application Information

Layout Guidelines

Monolithic integration of the half-bridge output FETs as well as their associated gate drivers significantly reduce parasitic common source inductance (CSI) and gate drive loop inductance. What remains is the high frequency power loop inductance that is controlled by the PCB layout of the DC input capacitors in relationship to the current flow direction through the pin configuration and layout geometry of the output FETs in the half-bridge power stage. Experimental data confirmed that the efficiency curves can be impacted by as much as 4% depending on the power loop inductance varying from 0.4 nH to 3 nH [1]. Another negative effect of excessive power loop inductance is the over-voltage spike at the SW node. Decreasing the high frequency

loop inductance results in lower voltage overshoot, increased input voltage capability, and reduced EMI.

A recommended layout technique for the EPC2152 device is shown in Figure 5a [2]. This PCB layout uses the concept of creating a low-profile magnetic field cancellation loop in a multilayer PCB as shown in Figure 5b. The design utilizes the first inner layer connected to the GND plane as a power loop return path. Separated only by a thin substrate, the top layer power loop and first inner layer current return path directly underneath generate opposing magnetic fields with induced currents that have opposite direction. The result is a cancellation of magnetic fields that translates into a reduction in parasitic inductance.

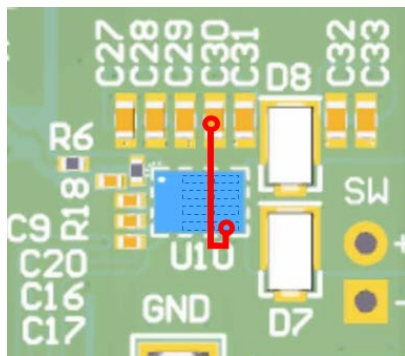


Figure 5a: Top View

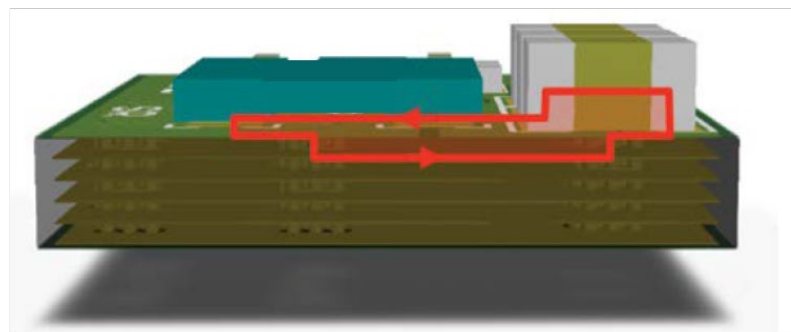


Figure 5b: Side View

Figure 5: Recommended layout technique to minimize power loop inductance

EPC2152

80 V, 15 A ePower™ Stage

PRELIMINARY



Adjusting Switching Speed

The EPC2152 device is tuned to switch at between 1 to 2 ns to minimize output FET switching losses while keeping the over-voltage spike at the SW node to acceptable level. Using the recommended layout guidelines, shown in Figure 5 can minimize the high frequency loop inductance to less than 0.2 nH as demonstrated in EPC90120 development board [2]. However, the fast di/dt at turn-on can induce a higher than acceptable over-voltage spike at the SW node. The rise and fall time of the SW node is internally tuned by optimizing the integrated gate drive buffer circuit. Customers can add additional tuning by inserting an optional R_{BOOT} resistor in series with the bootstrap bypass capacitor C_{BOOT} as illustrated in Test Circuit for Dynamic

Characteristics (Figure 1a). This helps to reduce over-voltage spike in the positive going edge during hard switching conditions. To reduce the negative transient voltage spike below ground for negative going edge during hard switching conditions, designers can insert optional R_{DD} resistor in series with the bias supply bypass capacitor C_{DRV} also shown in the same Test Circuit (Figure 1a).

Increasing R_{BOOT} value helps to decrease switching speed, lower over-voltage spike and reduce ringing. The associated peak over-rail voltage spike above V_{IN} of 48 V is tuned to be less than 10V with $R_{BOOT} = 0 \Omega$ (Figure 6a). At $R_{BOOT} = 20 \Omega$ the waveform is critically damped. The power loss penalty is 0.2% to 0.5% at 1 MHz switching sweeping I_{OUT} from 4 A to 12 A with R_{BOOT} increasing from 0Ω to 20Ω as shown in Figure 6b.

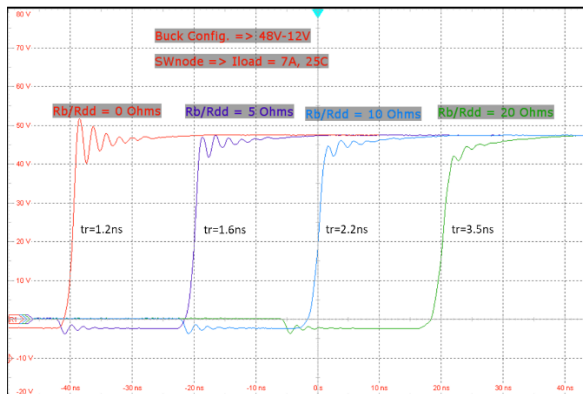


Figure 6a: Switching Waveform

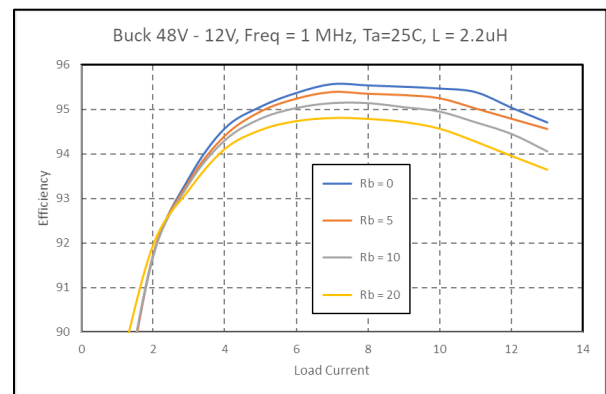


Figure 6b: Efficiency

Figure 6: Impact of R_{BOOT} value on SW node switching characteristics, over-rail voltage spike and efficiency for a buck converter operating from $V_{IN} = 48 V$, $V_{OUT} = 12 V$.

EPC2152 80 V, 15 A ePower™ Stage PRELIMINARY



Top Side Cooling

The chip-scale packaging (CSP) of the EPC2152 device offers the possibility of six-sided cooling, with effective heat extraction from the bottom, top, and sides of the die. Designers can opt for using the device in still air or with airflow by simply using the underlying PCB for heat dissipation. By mounting the device on a multi-layer PCB with 2 oz. copper using the recommended layout guideline as demonstrated in the EPC90120 development board [2], the device can operate continuously in still air at an ambient temperature of 25C under the operating conditions of $V_{IN} = 48\text{ V}$, $V_{OUT} = 12\text{ V}$, $I_{OUT} = 10\text{ A}$ while switching the synchronous buck converter at 1 MHz.

The attachment of a heatsink to the device can increase power throughput. Figure 7 shows a simple method to attach a heatsink to the EPC2152 CSP device. The approach makes use of low profile threaded mechanical SMD spacers (Würth Elektronik Part Number 9774010243R) that are simply soldered into the PCB. The spacer sets the heatsink height above the board to 1 mm and when a compliant thermal interface material is applied to the backside of the device, provides the correct compression and thermal interface impedance. The heatsink can be mechanically fastened by just inserting screws through the threads of the SMD spacers. An increase of output current capability up to +60% has been demonstrated using this method [3].

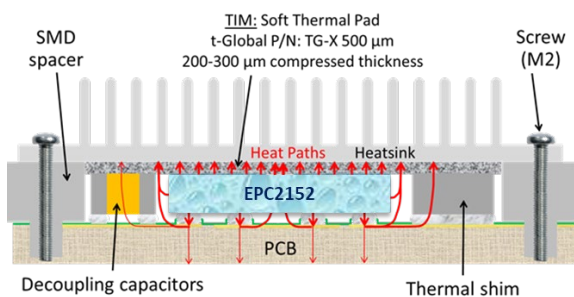


Figure 7a: Cross-Sectional View

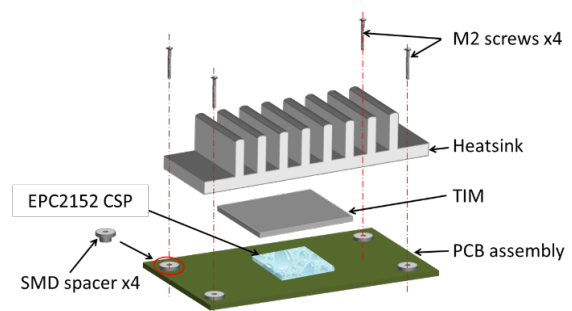


Figure 7b: Perspective View

Figure 7: Recommended approach to attach a heatsink to the backside of the device

EPC2152 80 V, 15 A ePower™ Stage PRELIMINARY



EPC90120 Development Board

A quick way to evaluate the EPC2152 device in actual application is the EPC90120 development board [2] that measures 50mm x 50mm. The board configures the EPC2152 to operate as either buck or boost converter with all critical components in place. The layout supports optimal switching

performance using the recommended layout guideline. There are also various probe points to facilitate simple waveform measurement and efficiency calculation. A block diagram of the circuit is shown in Figure 8a and a picture of the board is shown in Figure 8b.

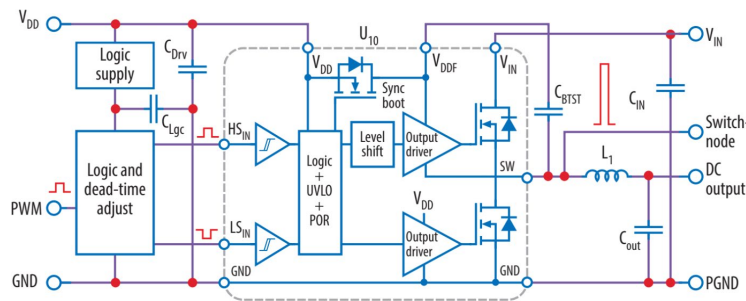


Figure 8a: Block Diagram Schematic

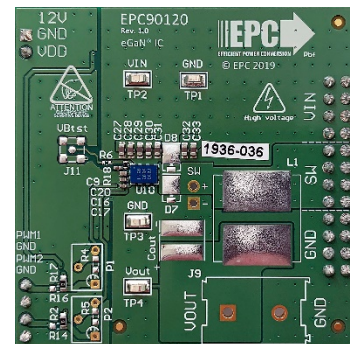


Figure 8b: Top Side Photo

Figure 8: EPC90120 development board

References

[1] EPC White Paper WP010 - Optimizing PCB Layout. This white paper explores the optimization of PCB layout for an eGaN FET based point of load (POL) buck converter, comparing the conventional designs and proposing a new optimal layout to further reduce parasitic.

WP010 Download Link: bit.ly/EPCWP010.

[2] EPC90120 Development Board Quick Start Guide. This QSG guide describes the EPC90120 development board in details containing the Bill of Materials (BOM), the circuit schematic as well as quick start procedure for buck and boost converter configurations. The layout uses the optimized guideline and users can download the Gerber files from EPC website.

EPC90120 QSG Download Link: bit.ly/EPC90120.

EPC90120 Gerber File Download link: bit.ly/EPC90120Gerbers.

[3] EPC How2AppNote 012 - How to Get More Power Out of an eGaN Converter with a Heatsink.

How2AppNote 012 Download link: bit.ly/EPCH2AN012

EPC2152

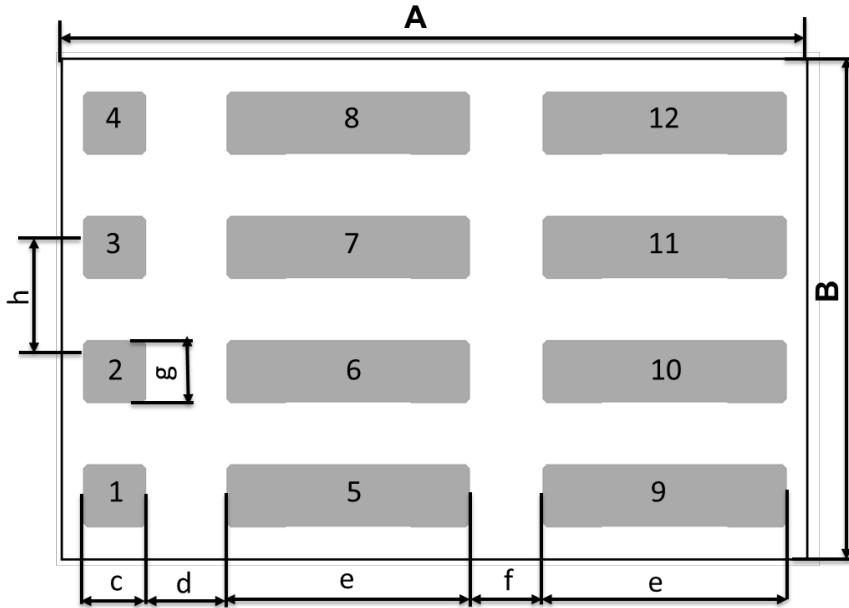
80 V, 15 A ePower™ Stage

PRELIMINARY



Packaging Information

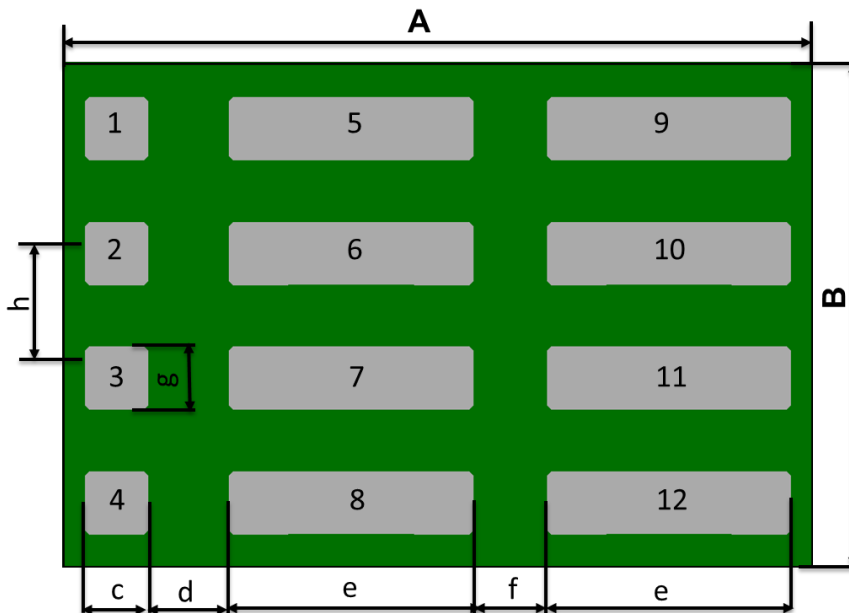
DIE OUTLINE, Pad View



DIM	MICROMETERS		
	MIN	Nominal	MAX
A	3820	3850	3880
B	2560	2590	2620
c		320	
d		420	
e		1250	
f		380	
g		320	
h		640	

RECOMMENDED LAND PATTERN

(measurements in μm , The land pattern is solder mask defined)



DIM	MICROMETERS
A	3850
B	2590
c	320
d	420
e	1250
f	380
g	320
h	640

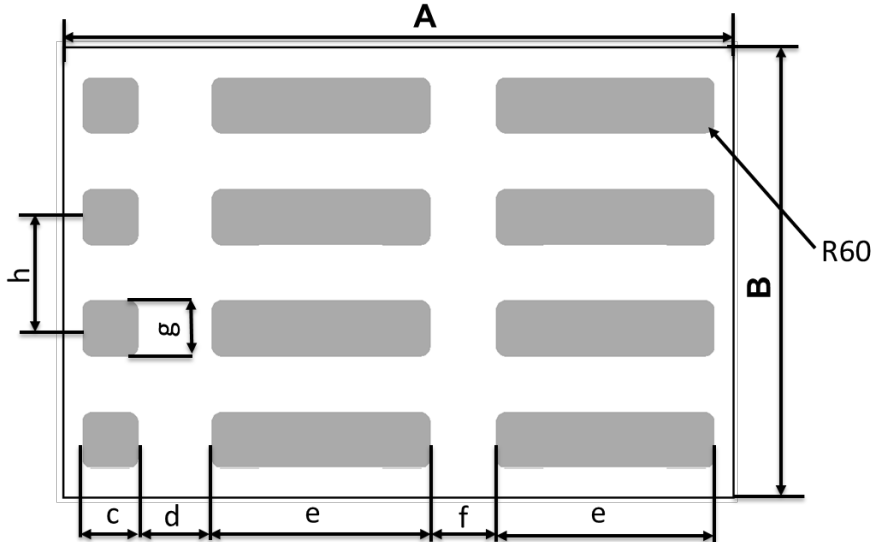
EPC2152

80 V, 15 A ePower™ Stage

PRELIMINARY



RECOMMENDED STENCIL DRAWING (measurements in μm)



DIM	MICROMETERS
A	3850
B	2590
c	320
d	420
e	1250
f	380
g	320
h	640

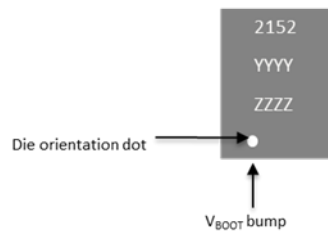
Recommended stencil should be 4mil (100 μm) thick, laser cut stainless steel, opening per drawing.

The corner has a radius of R60

Intended for use with SAC305 Type 4 solder, reference 88.5% metals content.

Additional assembly resources are available at epc-co.com/epc/DesignSupport/AssemblyBasics.aspx

DIE MARKINGS



Part Number	Laser Markings		
	Part # Marking Line 1	Lot_Date Code Marking Line 2	Lot_Date Code Marking Line 3
EPC2152	2152	YYYY	ZZZZ

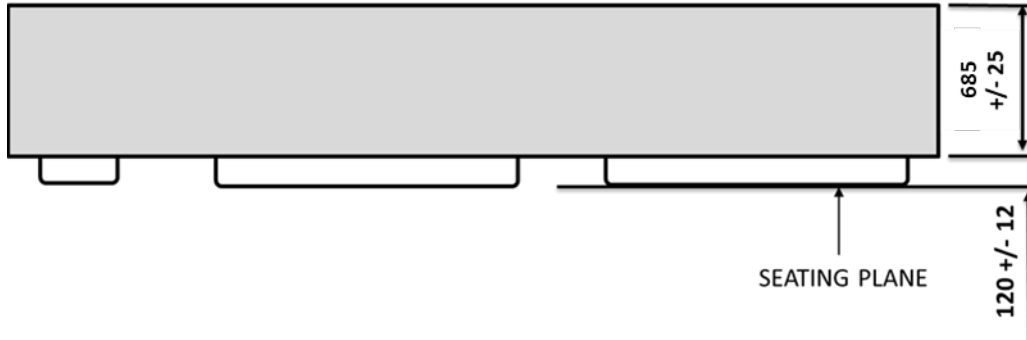
EPC2152

80 V, 15 A ePower™ Stage

PRELIMINARY



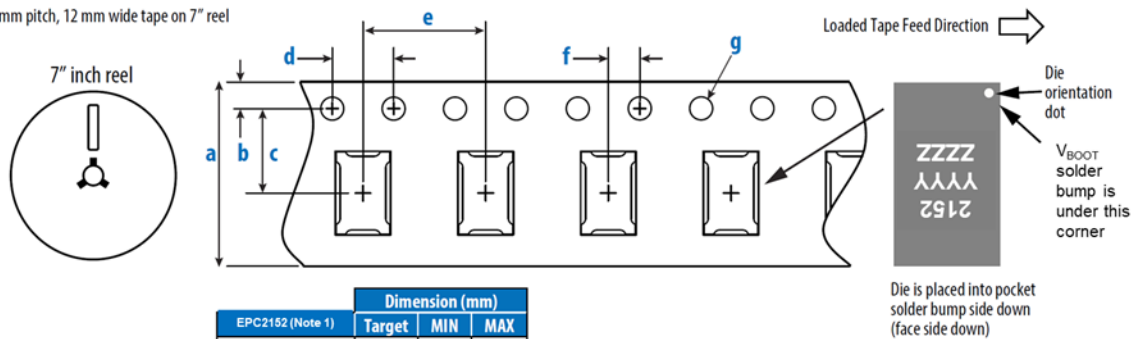
SIDE VIEW, not to scale



TAPE AND REEL CONFIGURATION, 4mm pitch, 12mm wide tape on 7" reel

TAPE AND REEL CONFIGURATION

8 mm pitch, 12 mm wide tape on 7" reel



EPC2152 (Note 1)	Dimension (mm)		
	Target	MIN	MAX
a	12.00	11.90	12.30
b	1.75	1.65	1.85
c (Note 2)	5.50	5.45	5.55
d	4.00	3.90	4.10
e	8.00	7.90	8.10
f (Note 2)	2.00	1.95	2.05
g	1.50	1.50	1.60

Note 1: MSL 1 (moisture sensitivity level 1) classified according to IPC/ JEDEC industry standard.

Note 2: Pocket position is relative to the sprocket hole measured as true position of the pocket, not the pocket hole.

Efficient Power Conversion Corporation (EPC) reserves the right to make changes without further notice to any products herein. Preliminary specification sheet contains information regarding a product EPC is considering for production release. EPC does not assume any liability arising out of the application or use of any product or circuit described herein; neither does it convey any license under its patent rights, nor the rights of other.

eGaN® is a registered trademark of Efficient Power Conversion Corporation.

EPC Patents: <http://epc-co.com/epc/AboutEPC/Patents.aspx>

Revision 2.0 March 21, 2021