

SN54ALS174, SN54ALS175, SN54AS174, SN54AS175A SN74ALS174, SN74ALS175, SN74AS174, SN74AS175A HEX/QUADRUPLE D-TYPE FLIP-FLOPS WITH CLEAR

SDAS207B – APRIL 1982 – REVISED DECEMBER 1994

- 'ALS174 and 'AS174 Contain Six Flip-Flops With Single-Rail Outputs
- 'ALS175 and 'AS175A Contain Four Flip-Flops With Double-Rail Outputs
- Buffered Clock and Direct-Clear Inputs
- Applications Include:
 - Buffer/Storage Registers
 - Shift Registers
 - Pattern Generators
- Fully Buffered Outputs for Maximum Isolation From External Disturbances ('AS Only)
- Package Options Include Plastic Small-Outline (D) Packages, Ceramic Chip Carriers (FK), and Standard Plastic (N) and Ceramic (J) 300-mil DIPs

description

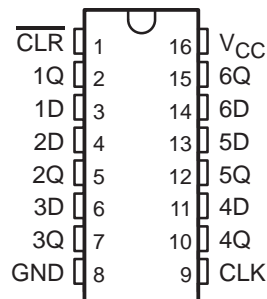
These positive-edge-triggered flip-flops utilize TTL circuitry to implement D-type flip-flop logic. All have a direct-clear (CLR) input, and the 'ALS175 and 'AS175A feature complementary outputs from each flip-flop.

Information at the data (D) inputs meeting the setup-time requirements is transferred to the outputs on the positive-going edge of the clock pulse. Clock triggering occurs at a particular voltage level and is not directly related to the transition time of the positive-going pulse. When the clock (CLK) input is at either the high or low level, the D-input signal has no effect at the output.

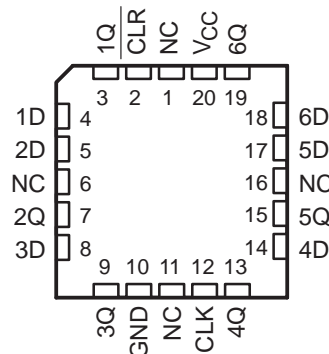
These circuits are fully compatible for use with most TTL circuits.

The SN54ALS174, SN54ALS175, SN54AS174, and SN54AS175A are characterized for operation over the full military temperature range of -55°C to 125°C . The SN74ALS174, SN74ALS175, SN74AS174, and SN74AS175A are characterized for operation from 0°C to 70°C .

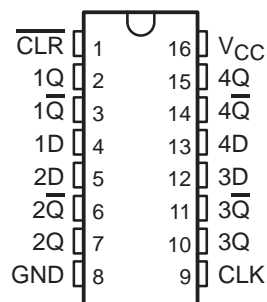
SN54ALS174, SN54AS174 . . . J PACKAGE
SN74ALS174, SN74AS174 . . . D OR N PACKAGE
(TOP VIEW)



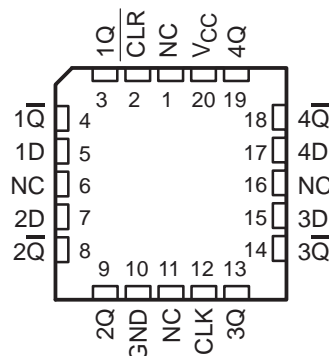
SN54ALS174, SN54AS174 . . . FK PACKAGE
(TOP VIEW)



SN54ALS175, SN54AS175A . . . J PACKAGE
SN74ALS175, SN74AS175A . . . D OR N PACKAGE
(TOP VIEW)



SN54ALS175, SN54AS175A . . . FK PACKAGE
(TOP VIEW)



NC – No internal connection

PRODUCTION DATA information is current as of publication date. Products conform to specifications per the terms of Texas Instruments standard warranty. Production processing does not necessarily include testing of all parameters.



SN54ALS174, SN54ALS175, SN54AS174, SN54AS175A SN74ALS174, SN74ALS175, SN74AS174, SN74AS175A HEX/QUADRUPLE D-TYPE FLIP-FLOPS WITH CLEAR

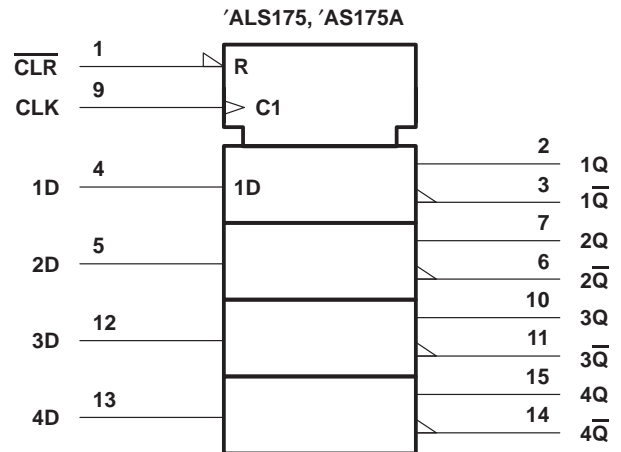
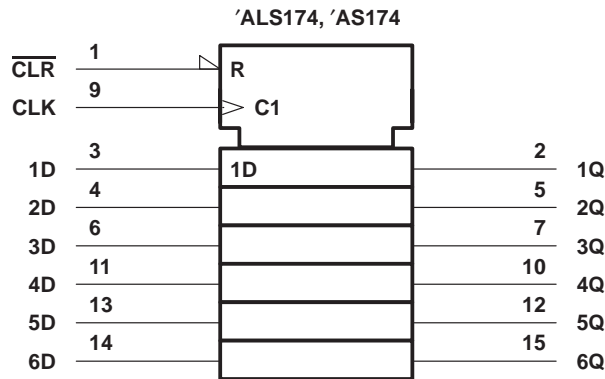
SDAS207B – APRIL 1982 – REVISED DECEMBER 1994

FUNCTION TABLE
(each flip-flop)

INPUTS			OUTPUTS	
$\overline{\text{CLR}}$	CLK	D	Q	$\overline{\text{Q}}^\dagger$
L	X	X	L	H
H	\uparrow	H	H	L
H	\uparrow	L	L	H
H	L	X	Q_0	$\overline{\text{Q}}_0$

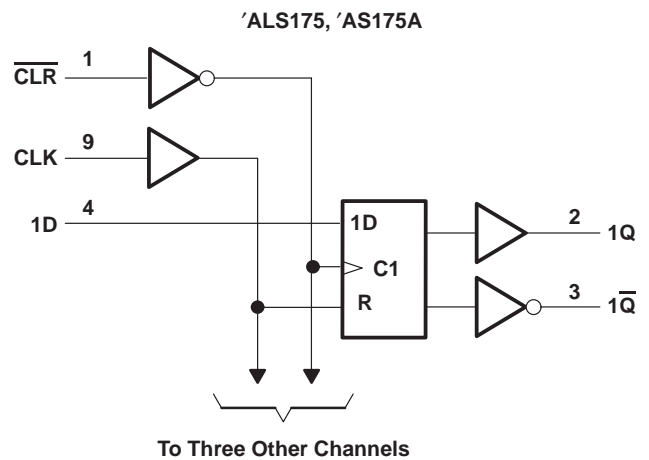
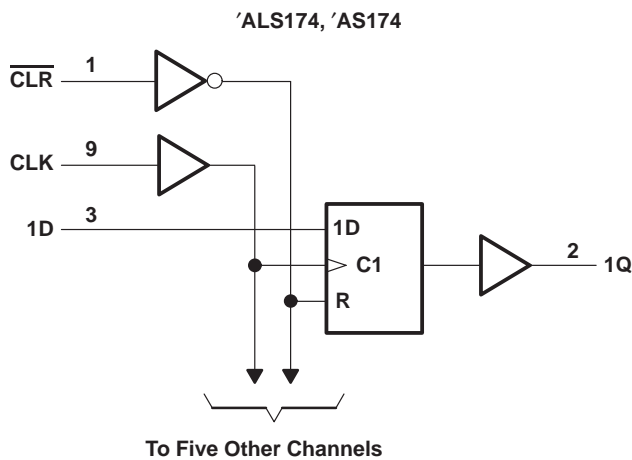
† 'ALS175 and 'AS175A only

logic symbols ‡



‡ These symbols are in accordance with ANSI/IEEE Std 91-1984 and IEC Publication 617-12. Pin numbers shown are for the D, J, and N packages.

logic diagrams (positive logic)



Pin numbers shown are for the D, J, and N packages.

**SN54ALS174, SN54ALS175, SN54AS174, SN54AS175A
SN74ALS174, SN74ALS175, SN74AS174, SN74AS175A
HEX/QUADRUPLE D-TYPE FLIP-FLOPS WITH CLEAR**

SDAS207B – APRIL 1982 – REVISED DECEMBER 1994

absolute maximum ratings over operating free-air temperature range (unless otherwise noted)†

Supply voltage, V_{CC}	7 V
Input voltage, V_I	7 V
Operating free-air temperature range, T_A : SN54ALS174, SN54ALS175	–55°C to 125°C
SN74ALS174, SN74ALS175	0°C to 70°C
Storage temperature range	–65°C to 150°C

† Stresses beyond those listed under “absolute maximum ratings” may cause permanent damage to the device. These are stress ratings only, and functional operation of the device at these or any other conditions beyond those indicated under “recommended operating conditions” is not implied. Exposure to absolute-maximum-rated conditions for extended periods may affect device reliability.

recommended operating conditions

		SN54ALS174 SN54ALS175			SN74ALS174 SN74ALS175			UNIT	
		MIN	NOM	MAX	MIN	NOM	MAX		
V_{CC}	Supply voltage	4.5	5	5.5	4.5	5	5.5	V	
V_{IH}	High-level input voltage	2			2			V	
V_{IL}	Low-level input voltage			0.8			0.8	V	
I_{OH}	High-level output current			–0.4			–0.4	mA	
I_{OL}	Low-level output current			4			8	mA	
f_{clock}	Clock frequency	0		40	0		50	MHz	
t_w	Pulse duration	\overline{CLR} low		15			10	ns	
		CLK high		12.5			10		
		CLK low		12.5			10		
t_{su}	Setup time before CLK↑	Data		15			10	ns	
		\overline{CLR} inactive		8			6		
t_h	Hold time, data after CLK↑			0			0	ns	
T_A	Operating free-air temperature			–55		125		70	°C

electrical characteristics over recommended operating free-air temperature range (unless otherwise noted)

PARAMETER		TEST CONDITIONS		SN54ALS174 SN54ALS175			SN74ALS174 SN74ALS175			UNIT
				MIN	TYP‡	MAX	MIN	TYP‡	MAX	
V_{IK}		$V_{CC} = 4.5 V$,	$I_I = -18 mA$			–1.5			–1.5	V
V_{OH}		$V_{CC} = 4.5 V$ to $5.5 V$,	$I_{OH} = -0.4 mA$	$V_{CC} - 2$			$V_{CC} - 2$			V
V_{OL}		$V_{CC} = 4.5 V$	$I_{OL} = 4 mA$		0.25	0.4		0.25	0.4	V
			$I_{OL} = 8 mA$					0.35	0.5	
I_I		$V_{CC} = 5.5 V$,	$V_I = 7 V$			0.1			0.1	mA
I_{IH}		$V_{CC} = 5.5 V$,	$V_I = 2.7 V$			20			20	μA
I_{IL}	All others	$V_{CC} = 5.5 V$,	$V_I = 0.4 V$			–0.1			–0.1	mA
	CLK					–0.15				
$I_{O§}$		$V_{CC} = 5.5 V$,	$V_O = 2.25 V$	–20		–112	–30		–112	mA
I_{CC}	'ALS174	$V_{CC} = 5.5 V$,	See Note 1		11	19		11	19	mA
	'ALS175				8	14		9	14	

‡ All typical values are at $V_{CC} = 5 V$, $T_A = 25°C$.

§ The output conditions have been chosen to produce a current that closely approximates one half of the true short-circuit output current, I_{OS} .

NOTE 1: I_{CC} is measured with D inputs and \overline{CLR} grounded, and CLK at 4.5 V.



**SN54ALS174, SN54ALS175, SN54AS174, SN54AS175A
SN74ALS174, SN74ALS175, SN74AS174, SN74AS175A
HEX/QUADRUPLE D-TYPE FLIP-FLOPS WITH CLEAR**

SDAS207B – APRIL 1982 – REVISED DECEMBER 1994

switching characteristics (see Figure 1)

PARAMETER	FROM (INPUT)	TO (OUTPUT)	V _{CC} = 4.5 V to 5.5 V, C _L = 50 pF, R _L = 500 Ω, T _A = MIN to MAX†				UNIT
			SN54ALS174 SN54ALS175		SN74ALS174 SN74ALS175		
			MIN	MAX	MIN	MAX	
f _{max}			40		50		MHz
t _{PLH}	$\overline{\text{CLR}}$	Any $\overline{\text{Q}}$ ('ALS175) Any Q	3	20	5	18	ns
t _{PHL}			5	30	8	23	
t _{PLH}	CLK	Any Q (or Q, 'ALS175)	3	20	3	15	ns
t _{PHL}			5	24	5	17	

† For conditions shown as MIN or MAX, use the appropriate value specified under recommended operating conditions.

absolute maximum ratings over operating free-air temperature range (unless otherwise noted)‡

Supply voltage, V _{CC}	7 V
Input voltage, V _I	7 V
Operating free-air temperature range, T _A : SN54AS174, SN54AS175A	–55°C to 125°C
SN74AS174, SN74AS175A	0°C to 70°C
Storage temperature range	–65°C to 150°C

‡ Stresses beyond those listed under “absolute maximum ratings” may cause permanent damage to the device. These are stress ratings only, and functional operation of the device at these or any other conditions beyond those indicated under “recommended operating conditions” is not implied. Exposure to absolute-maximum-rated conditions for extended periods may affect device reliability.

recommended operating conditions

		SN54AS174 SN54AS175A			SN74AS174 SN74AS175A			UNIT
		MIN	NOM	MAX	MIN	NOM	MAX	
V _{CC}	Supply voltage	4.5	5	5.5	4.5	5	5.5	V
V _{IH}	High-level input voltage	2			2			V
V _{IL}	Low-level input voltage			0.8			0.8	V
I _{OH}	High-level output current			–2			–2	mA
I _{OL}	Low-level output current			20			20	mA
f _{clock} *	Clock frequency	0		100	0		100	MHz
t _w *	Pulse duration	$\overline{\text{CLR}}$ low		5.5			5	ns
		CLK high		4		4		
		CLK low	'AS174	6		6		
t _{su} *	Setup time before CLK↑	Data	'AS174	4		4	ns	
			'AS175A	3		3		
		$\overline{\text{CLR}}$ inactive		6		6		
t _h *	Hold time, data after CLK↑		1			1		ns
T _A	Operating free-air temperature	–55		125	0		70	°C

* On products compliant to MIL-STD-883, Class B, this parameter is based on characterization data but is not production tested.



SN54ALS174, SN54ALS175, SN54AS174, SN54AS175A
 SN74ALS174, SN74ALS175, SN74AS174, SN74AS175A
 HEX/QUADRUPLE D-TYPE FLIP-FLOPS WITH CLEAR

SDAS207B – APRIL 1982 – REVISED DECEMBER 1994

electrical characteristics over recommended operating free-air temperature range (unless otherwise noted)

PARAMETER	TEST CONDITIONS	SN54AS174 SN54AS175A		SN74AS174 SN74AS175A		UNIT	
		MIN	TYP†	MAX	MIN		TYP†
V _{IK}	V _{CC} = 4.5 V, I _I = -18 mA			-1.2		-1.2	V
V _{OH}	V _{CC} = 4.5 V to 5.5 V, I _{OH} = -2 mA	V _{CC} - 2		V _{CC} - 2			V
V _{OL}	V _{CC} = 4.5 V, I _{OL} = 20 mA	0.35	0.5	0.35	0.5		V
I _I	V _{CC} = 5.5 V, V _I = 7 V		0.1		0.1		mA
I _{IH}	V _{CC} = 5.5 V, V _I = 2.7 V		20		20		μA
I _{IL}	V _{CC} = 5.5 V, V _I = 0.4 V		-0.5		-0.5		mA
I _O ‡	V _{CC} = 5.5 V, V _O = 2.25 V	-30	-112	-30	-112		mA
I _{CC}	V _{CC} = 5.5 V, See Note 2	'AS174		'AS175A			mA
		30	45	30	45		
		22.5	34	22.5	34		

† All typical values are at V_{CC} = 5 V, T_A = 25°C.

‡ The output conditions have been chosen to produce a current that closely approximates one half of the true short-circuit output current, I_{OS}.

NOTE 2: I_{CC} is measured with D inputs, CLR, and CLK grounded.

switching characteristics (see Figure 1)

PARAMETER	FROM (INPUT)	TO (OUTPUT)	V _{CC} = 4.5 V to 5.5 V, C _L = 50 pF, R _L = 500 Ω, T _A = MIN to MAX§				UNIT
			SN54AS174		SN74AS174		
			MIN	MAX	MIN	MAX	
f _{max} *			100		100		MHz
t _{PHL}	CLR	Any Q	5	15	5	14	ns
t _{PLH}	CLK	Any Q	3.5	9.5	3.5	8	ns
t _{PHL}			4.5	11.5	4.5	10	

* On products compliant to MIL-STD-883, Class B, these parameters are based on characterization data but are not production tested.

§ For conditions shown as MIN or MAX, use the appropriate value specified under recommended operating conditions.

switching characteristics (see Figure 1)

PARAMETER	FROM (INPUT)	TO (OUTPUT)	V _{CC} = 4.5 V to 5.5 V, C _L = 50 pF, R _L = 500 Ω, T _A = MIN to MAX§				UNIT
			SN54AS175A		SN74AS175A		
			MIN	MAX	MIN	MAX	
f _{max} *			100		100		MHz
t _{PLH}	CLR	Any Q or Q̄	4	10	4	9	ns
t _{PHL}			4.5	15	4.5	13	
t _{PLH}	CLK	Any Q or Q̄	4	8.5	4	7.5	ns
t _{PHL}			4	11	4	10	

* On products compliant to MIL-STD-883, Class B, this parameter is based on characterization data but is not production tested.

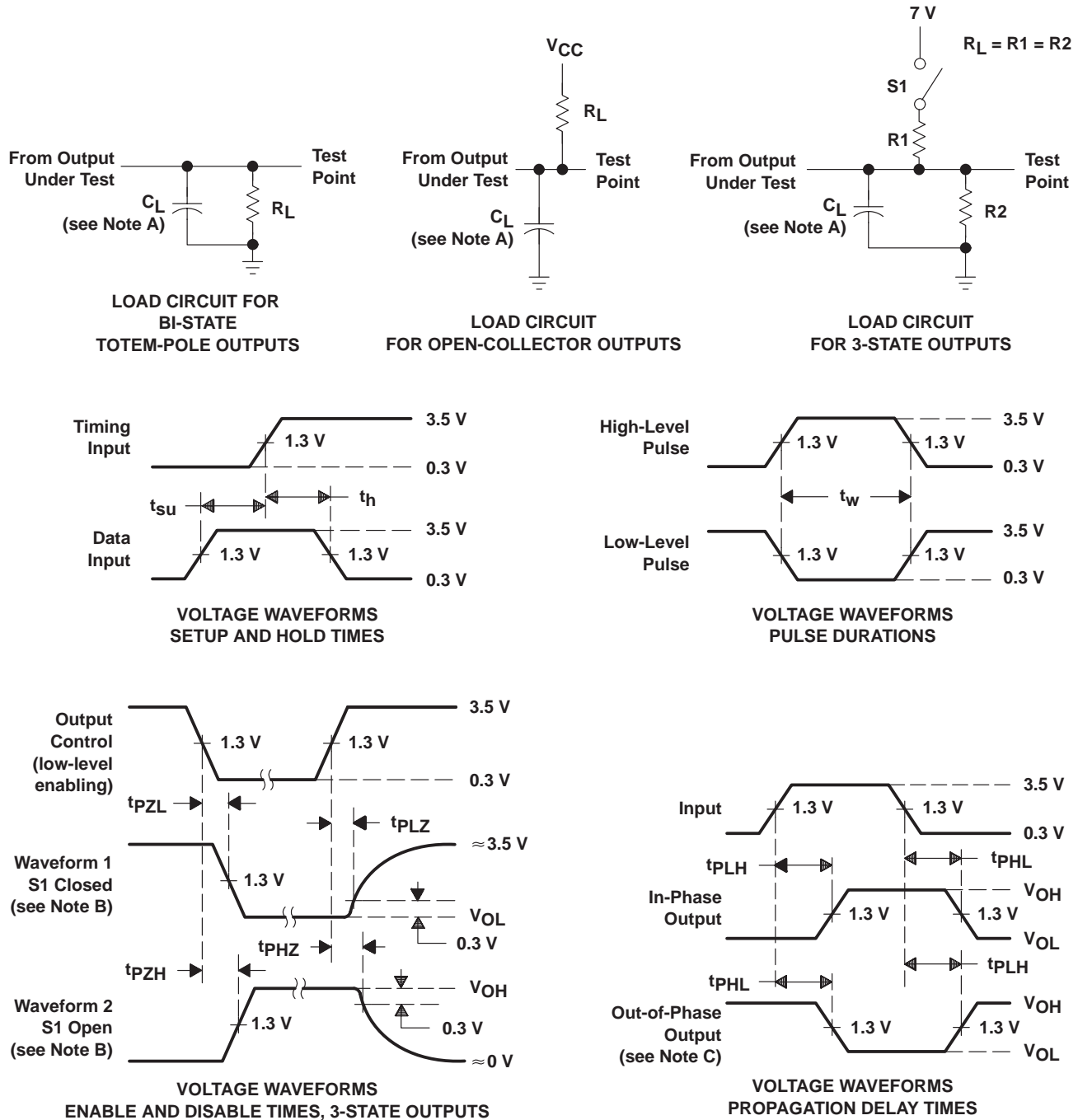
§ For conditions shown as MIN or MAX, use the appropriate value specified under recommended operating conditions.



SN54ALS174, SN54ALS175, SN54AS174, SN54AS175A
 SN74ALS174, SN74ALS175, SN74AS174, SN74AS175A
 HEX/QUADRUPLE D-TYPE FLIP-FLOPS WITH CLEAR

SDAS207B – APRIL 1982 – REVISED DECEMBER 1994

PARAMETER MEASUREMENT INFORMATION
 SERIES 54ALS/74ALS AND 54AS/74AS DEVICES



- NOTES: A. C_L includes probe and jig capacitance.
 B. Waveform 1 is for an output with internal conditions such that the output is low except when disabled by the output control. Waveform 2 is for an output with internal conditions such that the output is high except when disabled by the output control.
 C. When measuring propagation delay items of 3-state outputs, switch S1 is open.
 D. All input pulses have the following characteristics: PRR \leq 1 MHz, $t_r = t_f = 2$ ns, duty cycle = 50%.
 E. The outputs are measured one at a time with one transition per measurement.

Figure 1. Load Circuits and Voltage Waveforms

IMPORTANT NOTICE

Texas Instruments and its subsidiaries (TI) reserve the right to make changes to their products or to discontinue any product or service without notice, and advise customers to obtain the latest version of relevant information to verify, before placing orders, that information being relied on is current and complete. All products are sold subject to the terms and conditions of sale supplied at the time of order acknowledgement, including those pertaining to warranty, patent infringement, and limitation of liability.

TI warrants performance of its semiconductor products to the specifications applicable at the time of sale in accordance with TI's standard warranty. Testing and other quality control techniques are utilized to the extent TI deems necessary to support this warranty. Specific testing of all parameters of each device is not necessarily performed, except those mandated by government requirements.

CERTAIN APPLICATIONS USING SEMICONDUCTOR PRODUCTS MAY INVOLVE POTENTIAL RISKS OF DEATH, PERSONAL INJURY, OR SEVERE PROPERTY OR ENVIRONMENTAL DAMAGE ("CRITICAL APPLICATIONS"). TI SEMICONDUCTOR PRODUCTS ARE NOT DESIGNED, AUTHORIZED, OR WARRANTED TO BE SUITABLE FOR USE IN LIFE-SUPPORT DEVICES OR SYSTEMS OR OTHER CRITICAL APPLICATIONS. INCLUSION OF TI PRODUCTS IN SUCH APPLICATIONS IS UNDERSTOOD TO BE FULLY AT THE CUSTOMER'S RISK.

In order to minimize risks associated with the customer's applications, adequate design and operating safeguards must be provided by the customer to minimize inherent or procedural hazards.

TI assumes no liability for applications assistance or customer product design. TI does not warrant or represent that any license, either express or implied, is granted under any patent right, copyright, mask work right, or other intellectual property right of TI covering or relating to any combination, machine, or process in which such semiconductor products or services might be or are used. TI's publication of information regarding any third party's products or services does not constitute TI's approval, warranty or endorsement thereof.