



High-Speed CMOS 1K X 36 Clocked FIFO with Bus Sizing

QS723620

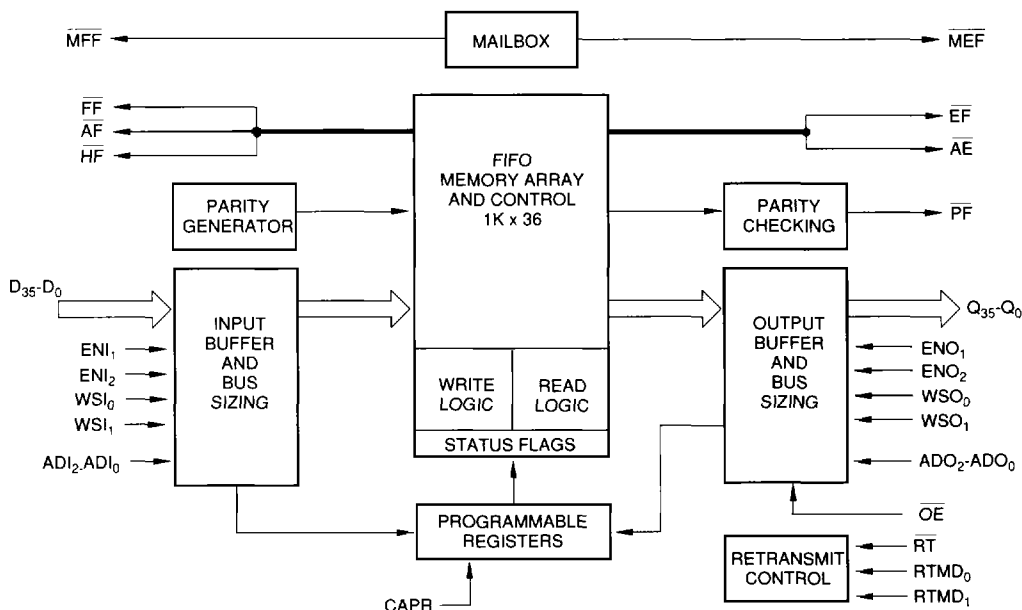
FEATURES

- Fast cycle times: 20/25/30 ns
- Selectable 36/18/9-bit word width for both input port and output port
- Byte-order-reversal function (i.e., "big-endian" ↔ "little-endian" conversion)
- 16-mA-IO_L three-state outputs
- Automatic byte-parity checking
- Selectable byte-parity generation
- Five status flags: full, almost-full, half-full, almost-empty, and empty
- All FIFO status flags are synchronous (\overline{AE} , \overline{HF} , \overline{AF} through programming of control register)
- Programmed values may be entered from either port
- Two enable control signals for each port
- Mailbox register with synchronized flags
- Asynchronous data-bypass function
- "Smart" data-retransmit function
- Configurable for paralleled FIFO operation (72-bit data width)
- Package: space-saving PQFP

FUNCTIONAL DESCRIPTION

The QS723620 is a FIFO (first-in, first-out) memory device, based on fully static CMOS RAM technology and capable of containing up to 1,024 36-bit words. It can replace four or more nine-bit-wide FIFOs in many applications.

FIGURE 1. SIMPLE BLOCK DIAGRAM



FUNCTIONAL DESCRIPTION *(continued)*

The input port and the output port operate independently of each other. Write operations are performed on the rising edge of the input clock CKI, and are enabled by two enabled signals, ENI₁ and ENI₂. Read operations are performed on the rising edge of the output clock CKO, and are enabled by two enabled signals ENO₁ and ENO₂.

Five status flags are available to monitor the memory array status: full, almost-full, half-full, almost-empty, and empty. The Almost-Full and Almost-Empty flags are initialized to a default offset of eight locations from their respective boundaries, but they are each programmable over the entire FIFO depth.

Both the input port and the output port may be set independently to operate at three data-word widths: 36 bits, 18 bits, or 9 bits. This setting may be changed during system operation. The QS723620 can perform byte-order-reversal on the four nine-bit bytes of each 36-bit data word passing through it, thus accomplishing "big-endian" ↔ "little-endian" conversion.

When data is read out of the FIFO, a byte-parity check is performed. The parity flag is used to indicate that a parity error was detected in one of the 9-bit bytes of the output word.

Parity generation, when selected, creates the parity bit of each 8-bit byte of the input word. The result is written into the MSB-bit of each 9-bit byte, overwriting the previous contents of the bit. The default is odd parity. However, the FIFO may be programmed to use even parity.

The QS723620 has a data-bypass mode that connects the output port to the input port asynchronously. A mailbox facility with synchronized flags is provided from the input port to the output port.

The QS723620's "smart-retransmit" capability sets the internal-memory read pointer to any arbitrary memory location. The smart-retransmit capability includes a marking function and a programmable offset to support data communications and digital signal processing (DSP) applications.

Figure 2 represents the QS723620 block diagram. Figure 3 shows the pin connections for the 132-pin PQFP package. The Vcc and GND pins are grouped separately.

FIGURE 2. FUNCTIONAL BLOCK DIAGRAM

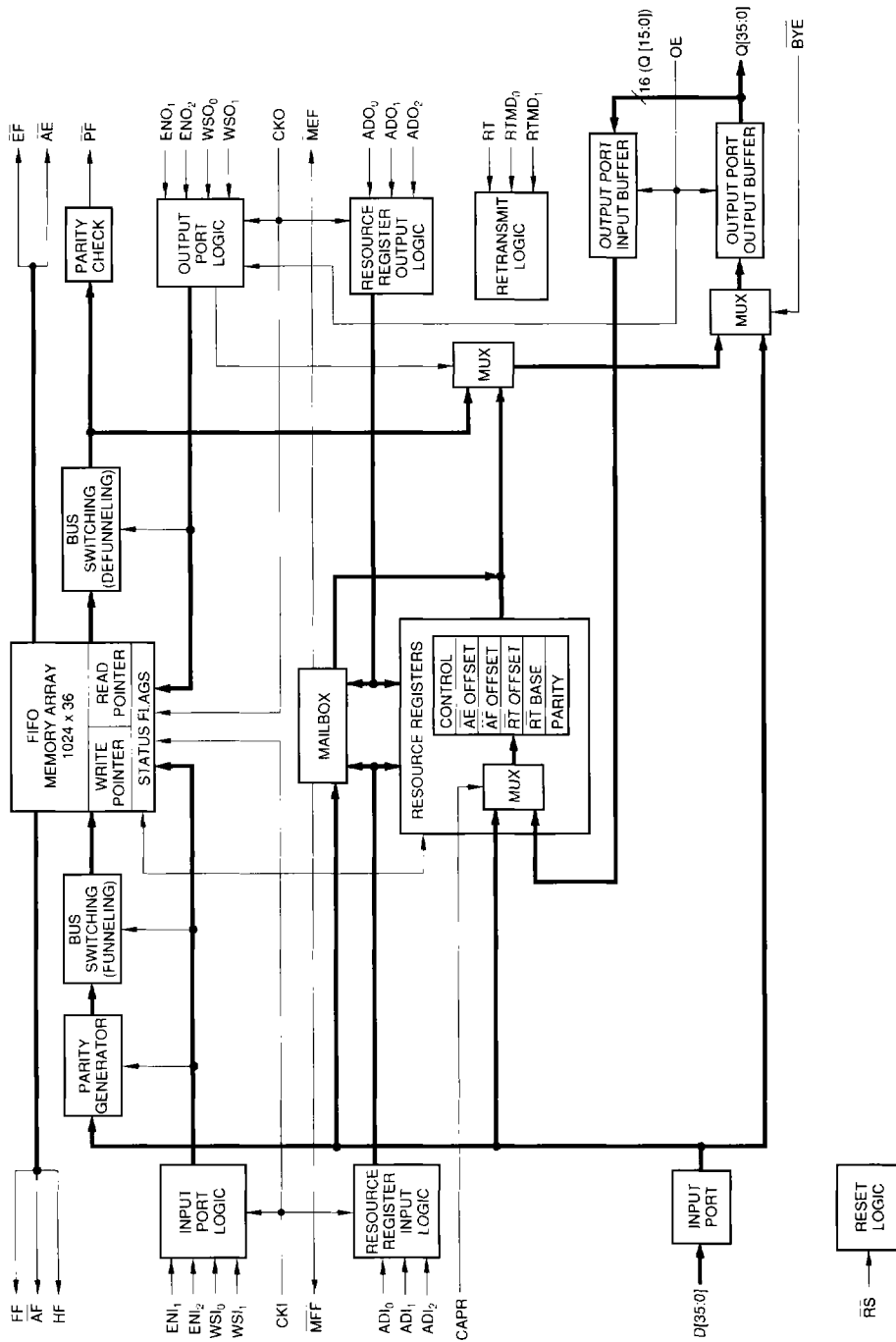
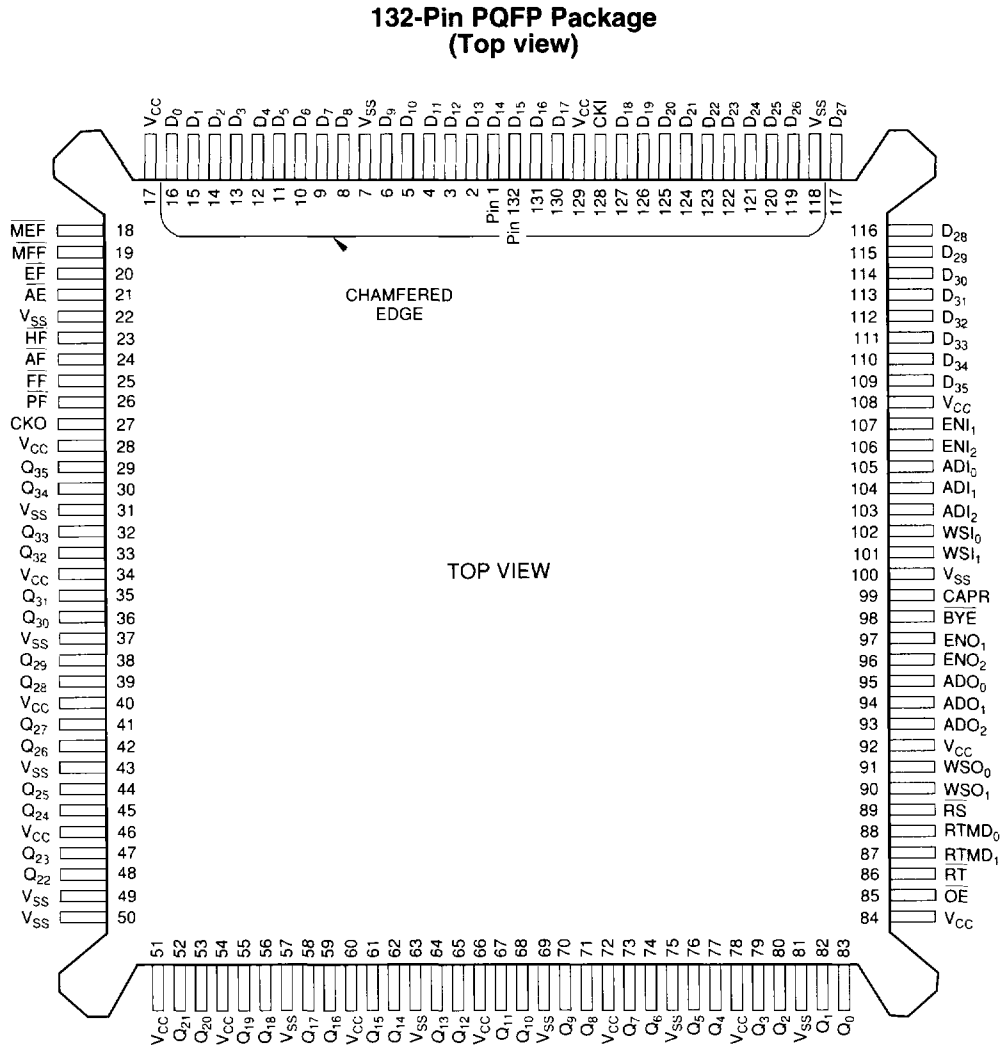


FIGURE 3. PINOUTS



PIN DESCRIPTIONS (SUMMARY)

Pin Name	Pin Type*	Description
Databus		
D[35:0]	I	36-bit input-port databus
Q[15:0]	I/O/Z	Three-state 36-bit output-port databus
Q[35:16]	O/Z	
Clocks		
CKI	I	Input-port clock
CKO	I	Output-port clock
Asynchronous Control		
RS	I	Master reset
CE	I	Output enable
BYE	I	Data-bypass enable
CAPR	I	Command-address port reference
Control Signals Synchronous to the Input Clock		
ENI[1,2]	I	Input-port enables
ADI[2:0]	I	Input-port address
WSI[1:0]	I	Input-port word-width selection
Status flags Synchronous to the Input Clock		
FF	O	Full flag
AF	O	Almost-Full flag
H-F ⁽¹⁾	O	Half-Full flag
MFF	O	Mailbox-Full flag

Pin Name	Pin Type*	Description
Control Signals Synchronous to the Output Clock		
ENO[1,2]	I	Output-port enables
ADO[2:0]	I	Output-port address
WSO[1:0]	I	Output-port word-width Selection
RTMD[1:0]	I	Retransmit mode control
RT	I	Retransmit
Status Flags Synchronous to the Output Clock		
AE	O	Almost-Empty flag
EF	O	Empty flag
PF	O	Parity-Error flag
MEF	O	Mailbox-Empty flag
Voltages and Grounds		
Vcc	V	Positive power
Vss	V	Ground

Notes:

- * I = Input, O = Output, V = Voltage, Z = High-Impedance
- 1. The Half-Full flag is user-selectable to be synchronized to either CKI or CKO.

PIN LIST (see Figure 3)

Pin Name	Pin No.
D14	1
D13	2
D12	3
D11	4
D10	5
D9	6
D8	8
D7	9
D6	10
D5	11
D4	12
D3	13
D2	14
D1	15
D0	16
MEF	18
MFF	19
EF	20
AE	21
HF	23
AF	24
FF	25
PF	26
CKO	27
Q35	29
Q34	30
Q33	32
Q32	33
Q31	35
Q30	36
Q29	38
Q28	39
Q27	41
Q26	42
Q25	44
Q24	45
Q23	47
Q22	48
Q21	52
Q20	53
Q19	55
Q18	56
Q17	58
Q16	59
Q15	61

Pin Name	Pin No.
Q14	62
Q13	64
Q12	65
Q11	67
Q10	68
Q9	70
Q8	71
Q7	73
Q6	74
Q5	76
Q4	77
Q3	79
Q2	80
Q1	82
Q0	83
OE	85
RT	86
RTMD1	87
RTMD0	88
RS	89
WSO1	90
WSO0	91
ADO2	93
ADO1	94
ADO0	95
ENO2	96
EN01	97
BYE	98
CAPR	99
WSI1	101
WSI0	102
ADI2	103
ADI1	104
ADI0	105
ENI2	106
ENI1	107
D35	109
D34	110
D33	111
D32	112
D31	113
D30	114
D29	115
D28	116
D27	117

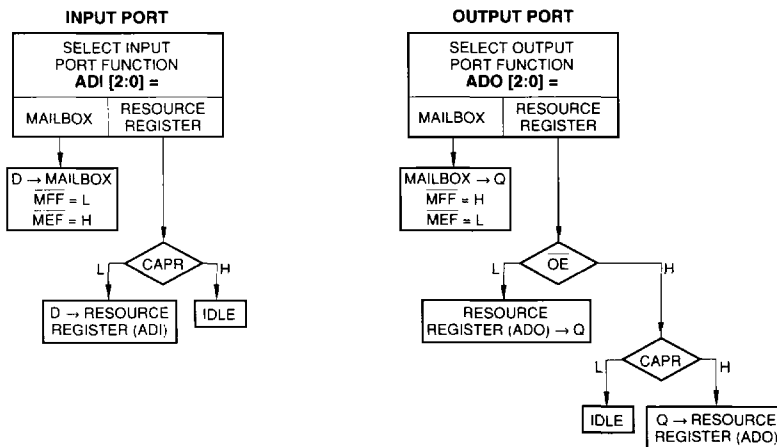
Pin Name	Pin No.
D26	119
D25	120
D24	121
D23	122
D22	123
D21	124
D20	125
D19	126
D18	127
CKI	128
D17	130
D16	131
D15	132
Vss	7
Vcc	17
Vss	22
Vcc	28
Vss	31
Vcc	34
Vss	37
Vcc	40
Vss	43
Vcc	46
Vss	49
Vss	50
Vcc	51
Vcc	54
Vss	57
Vcc	60
Vss	63
Vcc	66
Vss	69
Vcc	72
Vss	75
Vcc	78
Vss	81
Vcc	84
Vcc	92
Vss	100
Vcc	108
Vss	118
Vcc	129

PIN DESCRIPTION (FUNCTIONAL)

Pin Name	Description
DATABUS	
D[35:0]	36-Bit Input-Port Databus. The D port is the input port for the FIFO memory array, the resource registers, and the mailbox, or it may be directly connected to the output port (see Figure 4). D[35:0] is synchronous to the rising edge of CKI.
Q[35:0]	Three-State 36-Bit Output-Port Databus. The Q port is the output port for the FIFO memory array, the resource registers, and the mailbox, or it may be directly connected to the input port (see Figure 3). Q[35:0] is synchronous to the rising edge of CKO. The lower 16 bits of the Q port (Q[15:0]) may also be used as the input port for the resource register.
CLOCKS	
CKI	Input-Port Clock. CKI is a free-running waveform controlled by an oscillator. It may be irregular or asynchronous if minimum clock-HIGH times and clock-LOW times are met.
CKO	Output-Port Clock. CKO is a free-running waveform controlled by an oscillator. It may be irregular or asynchronous if minimum clock-HIGH times and clock-LOW times are met.
ASYNCHRONOUS CONTROL	
\overline{RS}	Master Reset. When asserted LOW, the QS723620 internal resource registers are set to their default value (see Table 1). The status flags indicate empty FIFO.
\overline{OE}	Output Enable. When asserted LOW, \overline{OE} forces Q[35:0] to be active. When deasserted HIGH, \overline{OE} forces Q[35:0] into a high-Z state. Bit 6 of the control register governs whether \overline{OE} suppresses the advancement of the read pointer (RP). In this case, \overline{OE} must obey setup time and hold time relative to CKO.
\overline{BYE}	Data-Bypass Enable. When asserted LOW, \overline{BYE} connects Q[35:0] directly to D[35:0].
CAPR	Command-Address Port Reference. CAPR determines the source of the 16-bit word to be loaded into the resource register. Whenever CAPR is LOW, the word comes from the input port. Whenever CAPR is HIGH (\overline{OE} is HIGH), the word comes from the output port. Notes: 1. The destination of the resource register is always the output port. 2. CAPR is assumed to be a steady signal. It is not allowed to change "on-the-fly" during operation.

(continued)

FIGURE 4. RESOURCE REGISTERS, READ AND WRITE



• All the operations are synchronized to CKI, except MEF is set HIGH on CKO

• All the operations are synchronized to CKO, except MFF is set HIGH on CKI.

PIN DESCRIPTION (FUNCTIONAL) (continued)

Pin Name	Description
CONTROL SIGNALS SYNCHRONOUS TO THE INPUT CLOCK	
ENI1, ENI2	Input-Port Enables. ENI1 and ENI2 are active HIGH and synchronous to the rising edge of CKI. Data is written into the FIFO memory array when both ENI1 and ENI2 are asserted HIGH. Note: ENI1, ENI2 do not enable writing data into the resource registers or the mailbox.
ADI[2:0]	Input-Port Address. ADI[2:0] specifies the input-port destination (see Table 1). ADI[2:0] is synchronized to the rising edge of CKI.
WSI[1:0]	Input-Port Word-Width Selection. WSI[1:0] selects the input-port word-width (see Table 2). WSI[1:0] is synchronous to the rising edge of CKI.
STATUS FLAGS SYNCHRONOUS TO THE INPUT CLOCK	
\overline{FF}	Full Flag. \overline{FF} is synchronous to the rising edge of CKI. When asserted LOW, 1.024 36-bit words of the FIFO memory array contain meaningful data. When \overline{FF} is asserted, writing data to the FIFO is disabled.
\overline{AF}	Almost-Full Flag. When asserted LOW, \overline{AF} indicates that there are at most "p" vacant 36-bit words remaining in the FIFO memory array, where "p" is the value of the almost-full-offset-value. \overline{AF} has two synchronization modes depending on bit 5 of the control register. <i>Bit 5 = 0:</i> (Default) Asynchronous Mode <i>Bit 5 = 1:</i> \overline{AF} is synchronous to the rising edge of CKI.
\overline{HF}	Half-Full Flag. When asserted LOW, there are at least 513 36-bit words in the FIFO memory array. \overline{HF} has three synchronization modes depending on bits 3 and 4 of the control register (see Table 3).
\overline{MFF}	Mailbox-Full Flag. \overline{MFF} is synchronized to the rising edge of CKI. When asserted LOW, it indicates that a new mail word has been placed in the mailbox.
CONTROL SIGNALS SYNCHRONOUS TO THE OUTPUT CLOCK	
ENO1 ENO2	Output-Port Enables. ENO1 and ENO2 are active HIGH, synchronous to the rising edge of CKO. Data is read from the FIFO memory array when both ENO1, ENO2 are asserted. Note: ENO1, ENO2 do not enable reading data from the resource register or the Mailbox.
ADO[2:0]	Output-Port Address. ADO[2:0] specifies the output-port source/destination (see Table 4). ADO[2:0] is synchronous to the rising edge of CKO. Note: In order to read the resource register at the output bus, \overline{BYE} should be de-asserted and the FIFO memory array should be disabled.
WSO[1:0]	Output-Port Word-Width Selection. WSO[1:0] is synchronous to the rising edge of CKO. WSO[1:0] selects the output-port word-width and controls byte-order-reversal according to Table 5.
RTMD[1:0]	Retransmit Mode Control. RTMD[1:0] is synchronized to the rising edge of CKO. RTMD[1:0] controls the placement of new contents into the read pointer (RP) and/or the retransmit base (RBASE) registers. Whenever retransmit (\overline{RT}) is asserted, one of three operations is performed according to the setting of RTMD[1:0] (see Table 6). Notes: 1. When RTMD[1:0] is set to 0, the FIFO is in depth cascade mode, and the retransmit mechanism can not be used. In cascade mode, the Almost-Empty flag is a handshake signal for cascading. The Almost-Empty flag is used as an input to the ENI of the next FIFO in the chain. 2. In standard FIFO operation RTMD[1:0] must not be set to 0 and the retransmit signal must be HIGH.
\overline{RT}	Retransmit. \overline{RT} is synchronized to the rising edge of CKO. When asserted LOW, \overline{RT} causes one of the retransmit mode operations to be performed, according to the encoding of RTMD[1:0] (see Table 6). Note: When RTMD[1:0] = 0 (FIFO is in cascade mode) \overline{RT} is ignored.

(continued)

PIN DESCRIPTION (FUNCTIONAL) (continued)

Pin Name	Description
STATUS FLAGS SYNCHRONOUS TO THE OUTPUT CLOCK	
\overline{AE}	<p>Almost-Empty Flag. The \overline{AE} flag has two modes of operation, depending on the RTMD[1:0] setting.</p> <ol style="list-style-type: none"> RTMD[1:0] \neq 0: \overline{AE} is a standard Almost-Empty flag. When asserted LOW, \overline{AE} implies that there are at most "q" 36-bit words in the FIFO memory array, where "q" is almost-empty-offset-value register value. In this mode, \overline{AE} has two synchronization options, depending on the setting of bit 2 of the control register. <i>Bit 2 = 0:</i> (default) asynchronous mode <i>Bit 2 = 1:</i> synchronous mode: \overline{AE} is synchronous to the rising edge of CKO. RTMD[1:0] = 0: \overline{AE} is a handshake signal for cascading.
\overline{EF}	<p>Empty Flag. \overline{EF} is synchronous to the rising edge of CKO. When asserted LOW, all 1,024 36-bit words are vacant. When asserted, \overline{EF} disables the FIFO read operation.</p>
\overline{PF}	<p>Parity-Error Flag. \overline{PF} is synchronized to the rising edge of CKO. When asserted LOW, \overline{PF} implies that a parity error has occurred in at least one 9-bit byte within a 36-bit word read from the FIFO memory array. If there are no errors, it is deasserted HIGH. When an error is detected, the parity check result of each 9-bit byte of the 36-bit output word is written to the parity register. The content of the parity register is frozen until read. The \overline{PF} signal is delayed by one CKO cycle compared to the output data (i.e., if the \overline{PF} is asserted, there was an error in the previous word).</p>
\overline{MEF}	<p>Mailbox-Empty Flag. \overline{MEF} is synchronous to the rising edge of CKO. When asserted LOW, \overline{MEF} indicates that there is no new mail word in the mailbox.</p>
VOLTAGES AND GROUNDS	
Vcc	Positive Power.
Vss	Ground.

TABLE 1. INPUT-PORT ADDRESS

AD _{I2}	AD _{I1}	AD _{I0}	Selection	Default Value (of the selected Register)
L	L	L	RBASE register	0
L	L	H	ROFFSET register	0
L	H	L	\overline{AF} offset value	8
L	H	H	Parity register	0
H	L	L	\overline{AE} offset value	8
H	L	H	Control register	1
H	H	L	Mailbox	0
H	H	H	Resource registers write disabled	

TABLE 2. INPUT-PORT WORD-WIDTH SELECTION

WS _{I1}	WS _{I0}	Function	
L	L	9-bit data-path width	Input data D[8:0]
L	H	18-bit data-path width	Input data D[17:0]
H	L	Reserved	
H	H	36-bit data-path width	Input data D[35:0]

TABLE 3. HF SYNCHRONIZATION MODES

Control Register		
Bit 4	Bit 3	Function
L*	L*	Asynchronous Mode: HF
L	H	Synchronous Mode I: HF is synchronous to the rising edge of CKO
H	L	Synchronous Mode II: HF is synchronous to the rising edge of CKI
H	H	

*Default Mode

TABLE 5. OUTPUT-PORT WORD-WIDTH SELECTION

WSO ₁	WSO ₀	Function	
L	L	9-bit data-path width	Output data Q[8:0]
L	H	18-bit data-path width	Output data Q[17:0]
H	L	36-bit data-path width with byte-order-reversal	Output data Q[35:0]
H	H	36-bit data-path width	Output data Q[35:0]

TABLE 4. OUTPUT-PORT ADDRESS

ADO ₂	ADO ₁	ADO ₀	Selection	Default Value (of the selected Register)
L	L	L	RBASE register	0
L	L	H	ROFFSET register	0
L	H	L	\overline{AF} offset value	8
L	H	H	Parity register	0
H	L	L	\overline{AE} offset value	8
H	L	H	Control register	1
H	H	L	Mailbox	0
H	H	H	Resource registers read disabled	Not applicable

TABLE 6. RETRANSMIT OPERATION MODES

RTMD ₁	RTMD ₀	Operation	Action Taken
L	L	Depth Cascade Mode	The Almost-Empty flag is a handshake signal for cascading
L	H	Retransmit	(RBASE) + (ROFFSET) → RP
H	L	Retransmit and Mark	(RBASE) + (ROFFSET) → RP and (RBASE) + (ROFFSET) → RBASE
H	H	Mark	(RP) → RBASE

OPERATIONAL DESCRIPTION

The QS723620 has four operating modes:

- Normal mode
- Programmable resource registers
- Mailbox
- Data bypass

NORMAL MODE

Normal FIFO operation refers to read and write operations to the FIFO memory array. Data Write operations into the FIFO memory array occur at the rising edge of CKI. The operation is enabled if both ENI₁ and ENI₂ are asserted HIGH. Data read operations from the FIFO memory occur at the rising edge of CKO. The operation is enabled if both ENO₁ and ENO₂ are asserted HIGH.

The FIFO write and read operations are supported by the following mechanisms:

- Byte-order-reversal and bus funneling/defunneling functions
- Status flags
- Retransmit mechanism
- Parity checking
- Parity generation

Byte-Order-Reversal and Bus Funneling/Defunneling Functions

Word width can be selected at the input port and/or the output port to be 36, 18, or 9 bits wide. When the output port width is selected to be 36 bits, it is possible to select byte-order-reversal.

The funneling mechanism is controlled by the inputs WSI[1:0] and WSO[1:0] according to Tables 2 and 5. Data is packed and unpacked from a 36-bit word memory array. Table 7 shows all combinations of funneling/defunneling (see Examples 1 and 2).

Example 1: 36-to-9 Funneling

Conditions		Results
WSI[1:0]	WSO[1:0]	Results
3	—	Input 36 bits wide
—	0	Output 9 bits wide Pins used are Q[8:0]

The dataflow structure is illustrated by Figure 5.

Example 2: 18-to-36 Defunneling with Byte Reversal

1. Bus width change
2. Big-endian to little-endian

This configuration can be used for connecting the Intel 80286 to the Motorola 68040.

Conditions		Results
WSI[1:0]	WSO[1:0]	Results
1	—	Input 18 bits wide Pins used are D[17:0]
—	2	Output 36 bits wide with byte-order-reversal

The dataflow structure is illustrated by Figure 6.

Changes to the funneling/defunneling settings during system operation should be made one clock before a word boundary, as shown in Example 3.

Example 3: Changing Input Bus Width from 9 to 36 During Operation

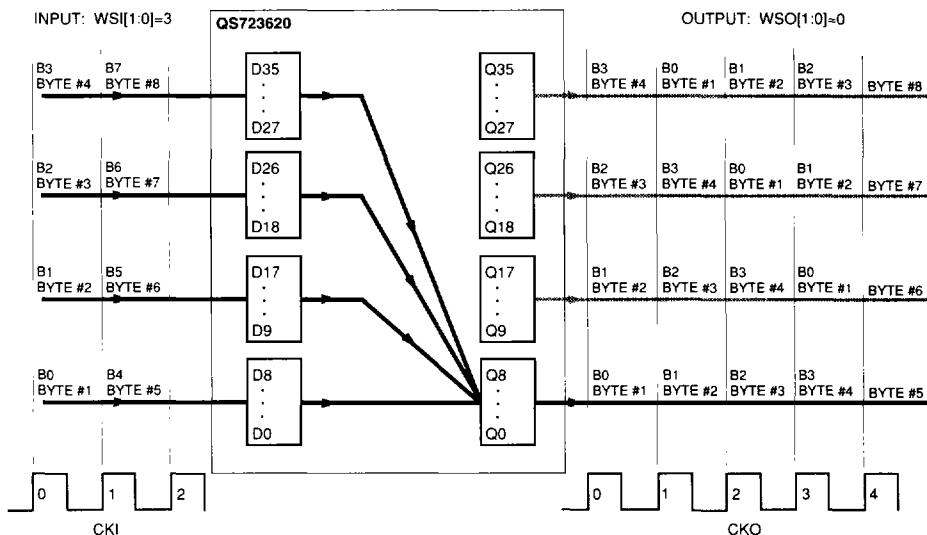
CKI	WSI	Action
0	0	Write 1st 9-bit byte
1	0	Write 2nd 9-bit byte
2	0	Write 3rd 9-bit byte
3	3	Write 4th 9-bit byte
4	3	Write 1st 36-bit word

TABLE 7. BUS FUNNELING/DEFUNNELING*

Input			Output																
CKI	WSI = 0		CKO	WSO = 3				WSO = 2				WSO = 1				WSO = 0			
Cycles	D[35:9]	D[8:0]	Cycles	Q[35:0]				Q[35:0]				Q[35:18]		Q[17:0]		Q[35:9]		Q[8:0]	
0	xxx	B0	0	B3	B2	B1	B0	B0	B1	B2	B3	B3	B2	B1	B0	B3	B2	B1	B0
1	xxx	B1	1	B7	B6	B5	B4	B4	B5	B6	B7	B1	B0	B3	B2	B0	B3	B2	B1
2	xxx	B2	2									B7	B6	B5	B4	B1	B0	B3	B2
3	xxx	B3	3									B5	B4	B7	B6	B2	B1	B0	B3
4	xxx	B4	4													B7	B6	B5	B4
5	xxx	B5	5																
6	xxx	B6	6																
7	xxx	B7	7																
8	xxx	B8	8																
	WSI = 1			WSO = 3				WSO = 2				WSO = 1				WSO = 0			
	D[35:18]	D[17:0]		Q[35:0]				Q[35:0]				Q[35:18]		Q[17:0]		Q[35:9]		Q[8:0]	
0	xx	B1 B0	0	B3	B2	B1	B0	B0	B1	B2	B3	B3	B2	B1	B0	B3	B2	B1	B0
1	xx	B3 B2	1	B7	B6	B5	B4	B4	B5	B6	B7	B1	B0	B3	B2	B0	B3	B2	B1
2	xx	B5 B4	2									B7	B6	B5	B4	B1	B0	B3	B2
3	xx	B7 B6	3									B5	B4	B7	B6	B2	B1	B0	B3
4	xx	B9 B8	4													B7	B6	B5	B4
	WSI = 1			WSO = 3				WSO = 2				WSO = 1				WSO = 0			
	D[35:0]			Q[35:0]				Q[35:0]				Q[35:18]		Q[17:0]		Q[35:9]		Q[8:0]	
0	B3	B2 B1 B0	0	B3	B2	B1	B0	B0	B1	B2	B3	B3	B2	B1	B0	B3	B2	B1	B0
1	B7	B6 B5 B4	1	B7	B6	B5	B4	B4	B5	B6	B7	B1	B0	B3	B2	B0	B3	B2	B1
												B7	B6	B5	B4	B1	B0	B3	B2
												B5	B4	B7	B6	B2	B1	B0	B3
																B7	B6	B5	B4

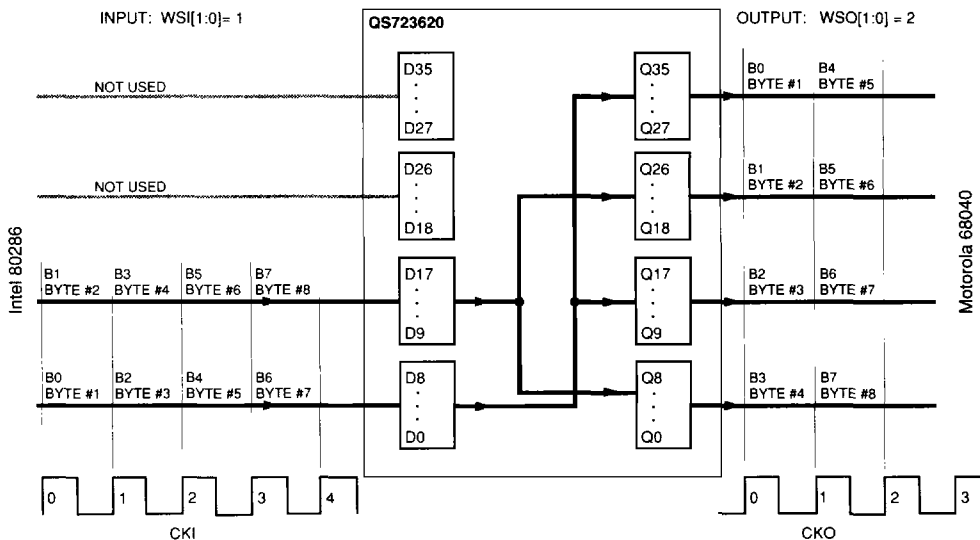
*Note: B0, B1, . . . represent data bytes.

FIGURE 5. EXAMPLE OF 36-TO-9 BUS FUNNELING



Notes:
 Heavy solid lines = Main data path.
 Shaded lines = Not used for this application.

FIGURE 6. EXAMPLE OF 18-TO-36 BUS DEFUNNELING WITH BYTE-ORDER-REVERSAL



Notes:
 Heavy solid lines = Main data path.
 Shaded lines = Not used for this application.

Status Flags

There are five status flags:

- FF (Full flag)
- AF (Almost-Full flag)
- HF (Half-Full flag)
- AE (Almost-Empty flag)
- EF (Empty flag)

The functionality and the synchronization of the status flags are detailed in the ***Pins Descriptions (Functional)*** section. All status flags are generated for 36-bit word widths, not according to selected input- or output-port widths.

Retransmit Mechanism

With standard FIFO operations, every data word can be read out of the FIFO once. The retransmit mechanism allows reading the data more than once by providing flexible control of the read pointer.

Associated with the retransmit mechanism are three control lines, RTMD[1:0], \overline{RT} , and two resource registers, RBASE and ROFFSET.

- RTMD[1:0] sets the mode of operation. See Table 6.
- \overline{RT} enables the operation synchronous to CKO.

Retransmit allows three modes of operation:

- Mark: RTMD[1:0] = 3 and \overline{RT} is asserted. The value of the read pointer is saved into the RBASE register.
- Retransmit: RTMD[1:0] = 1 and \overline{RT} is asserted. The read pointer is loaded by the value of RBASE plus the value of ROFFSET.
- Retransmit and Mark: RTMD[1:0] = 2 and \overline{RT} is asserted. The read pointer is loaded by the value of RBASE plus the value of ROFFSET; then the value of the read pointer is saved into the RBASE register.

The timing of the retransmit is illustrated in Figures 25 and 26.

When \overline{RT} is asserted and RTMD[1:0] is set to 1 or 2, the flags change their value to indicate a "retransmit state," i.e., \overline{EF} , \overline{AE} , \overline{FF} de-asserted; \overline{AF} , \overline{HF} asserted. Three enable-read cycles are required to read the new data word. The flags reflect the new status. The retransmit is acknowledged, even when the output is disabled (ENO = LOW), but enable-read cycles are needed to fill the pipeline with new information before reading the new data.

Notes:

1. The retransmit mechanism can be used independently and parallel to the write operation.
2. RTMD[1:0] must be selected two cycles prior to \overline{RT} being asserted and remain stable during \overline{RT} LOW.
3. At least two words need to be in the FIFO memory array prior to performing a retransmit.
4. When using normal read and write operations, the \overline{FF} inhibits writing when the FIFO is full, and the \overline{EF} inhibits reading when the FIFO is empty. This behavior provides a protection from wraparound situations (i.e., the read pointer is ahead of the write pointer). This protection is **not** provided when using retransmit. The user should be careful not to write more than 1,024 words from the marked point.
5. When the retransmit mechanism is not used, the recommended connection is:

$$\begin{aligned} \text{RTMD}[1:0] &= 3 \\ \overline{RT} &= \text{HIGH} \end{aligned}$$

The retransmit mechanism can be useful in many applications. For example:

- Computer-communications applications.
- When the receiver reads a block of data and finds no errors in the data block, it can mark the beginning of the new message by setting the FIFO in MARK mode RTMD[1:0] = 3 and asserting the \overline{RT} signal for one clock cycle.
If the receiver finds an error in the data block, it can read the last message again by setting the FIFO in retransmit mode RTMD[1:0] = 1 and asserting the \overline{RT} signal for one cycle.
- Overlap addressing for DSP applications.

A typical DSP consists of A/D-FIFO-DSP. In many applications, the DSP needs to read a block of data where each block overlaps the previous block (like the overlap-and-save method for filtering). The overlap addressing can be implemented by using the QS723620 with no additional hardware as follows:

- The FIFO is set to retransmit and MARK mode: RTMD[1:0] = 2, the AF offset register is programmed to N = Block Size, and the ROFFSET register is programmed to (N – Overlap). The data is loaded into the FIFO each time CKI is triggered.
- The DSP can sense the \overline{AF} flag of the FIFO. Whenever this flag is being asserted, a new block of data is available in the FIFO. The DSP then reads a block of data, and then asserts the FIFO's \overline{RT} signal, which causes the RP and RBASE register to be set at the beginning of the new block.

Parity Checking

The parity-checking mechanism is always active. Parity checking is done separately for each of the 9-bit bytes of the 36-bit word read from the memory array. Toggling bit 0 of the control register selects odd or even parity. When a parity error is detected in one or more bytes, the signal \overline{PF} is asserted, and the results of the individual parity checks are written to the parity register (see Example 4).

To avoid a possible invalid \overline{PF} signal, \overline{ENO}_1 and \overline{ENO}_2 should not be de-asserted during the CLK0 low time.

The parity register is frozen until read. When read, the parity register is released and ready to store the next parity-error data.

Parity Generation

After reset, parity generation is not active. Parity generation is active only when bit 1 of the control register is HIGH. The parity mechanism, when enabled, creates a parity bit for each of the bytes of the input word. The parity bit for each byte is created based on its 8 least significant bits of each 9-bit byte of the input-data word and on bit 0 of the control register (it specifies odd or even parity). The result of the parity generation is written back to the MSB of the data byte (see Example 5).

Example 4: Parity Check

	Q35			Q0
Output Word:	100111100	000111100	100111000	000111000
Odd parity:	Parity Register = 0110; PF-Asserted Low			
Even parity:	Parity Register = 1001; PF-Asserted Low			

Example 5: Parity Generation

	D35			D0
Input Word:	100111100	000111100	100111000	000111000
Output, odd parity:	100111100	100111100	000111000	000111000
Output, even parity:	000111100	000111100	100111000	100111000

PROGRAMMABLE RESOURCE REGISTERS

The QS723620 has six programmable resource registers. The resource registers may be loaded from either the input port or the output port. They can be read from the output port. The selection and loading or reading of the resource registers is controlled by ADI, ADO, and CAPR. See Tables 1 and 4 and Figure 4.

The resource registers are:

- Control (Default = 1).
- \overline{AE} Offset: Offset value of the \overline{AE} flag (Default = 8).
- \overline{AF} Offset: Offset value of the \overline{AF} flag (Default = 8).
- \overline{RT} Offset: Offset value of the retransmit mechanism (Default = 0).
- RT Base: Base register of the retransmit mechanism (Default = 0).
- Parity

Control Register (see Figure 7):

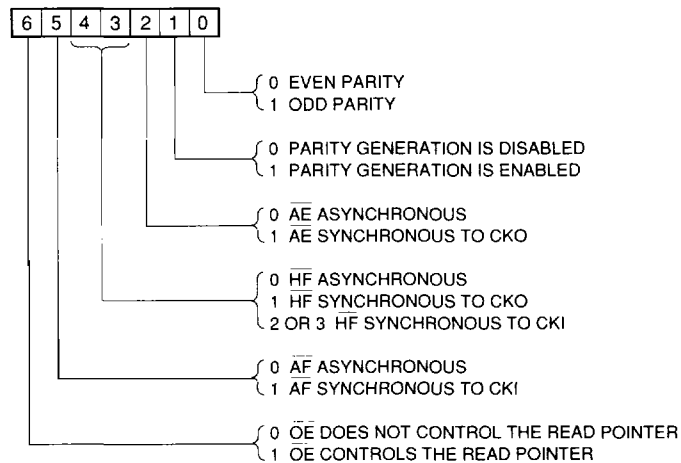
After reset, the control register's value is 1. This sets the following conditions:

- Odd parity
- Disabling parity generation (parity check is active).
- \overline{AF} , \overline{HF} , \overline{AE} flags are asynchronous.
- \overline{OE} signal does not control the read pointer.

Read/Write Resource Register Mode

It is possible to write to the resource registers from either the input port or the output port. Reading from the resource register is possible only from the output port. The source port for the write operation is determined by the control signal CAPR.

FIGURE 7. QS723620 CONTROL REGISTER



Input Port:

Data from the input port is written to a resource register when:

- The value of the input-address field, ADI, selects the register (see Table 1)
- CAPR is LOW

The operation is enabled by ADI[2:0] and synchronized to CKI.

Output Port:

Data from the output port is written to a resource register when:

- The value of the output-address field, ADO, selects the register (see Table 4)
- CAPR is HIGH
- \overline{OE} is HIGH

Note: ADI[2:0] should remain stable whenever data is coming in from the output port.

Data is read from a resource register to the output port when:

- The value of the output-address field, ADO, selects the register (see Table 4)
- \overline{OE} is LOW

Both operations are enabled by ADO[2:0] and are synchronous to CKO.

MAILBOX

The mailbox mechanism includes:

- One 36-bit data register.
- Two status flags:
 - \overline{MFF} Mailbox Full flag
 - \overline{MEF} Mailbox Empty flag

Writing to the mailbox is enabled from the input port when the input port address field ADI[2:0] = 6. The write operation is synchronous to the rising edge of CKI.

When writing to the mailbox, the status flags are changed as follows:

- \overline{MEF} is de-asserted HIGH on the rising edge of CKO.
- \overline{MFF} is asserted LOW on the rising edge of CKI.

A mailbox read is enabled from the output port, when the output port address field ADO[2:0] = 6. The read operation is synchronized to CKO.

When reading the mailbox, the status flags are changed as follows:

- \overline{MEF} is asserted LOW on the rising edge of CKO.
- \overline{MFF} is de-asserted HIGH on the rising edge of CKI.

After reset the mailbox is empty (i.e., \overline{MFF} = HIGH, \overline{MEF} = LOW).

When the mailbox is being used, the transmitter side can transfer a message to the receiver side without interrupting the data in the FIFO memory array.

DATA BYPASS MODE

Data bypass mode is selected when \overline{BYE} = LOW. In this mode, data may be transferred asynchronously from the input port to the output port. The device may be placed in data bypass mode without voiding the contents of the FIFO memory array, the mailbox register, or the resource register. However, if the input is enabled ($EN_{1,2}$ = HIGH) then the input data D is also written to the FIFO memory array on the rising edge of CKI. If the output is enabled, ($ENO_{1,2}$ = HIGH) then the input data D is transferred to the output buffer, and the read pointer is incremented by CKO. The control signal \overline{OE} is functioning when BYE is asserted.

The recommended control setting for bypass is:

ENI = LOW, ENO = LOW, ADI[2:0] = 7, ADO[2:0] = 7, \overline{OE} = LOW, \overline{BYE} = LOW

OPERATIONAL MODES AND CONFIGURATIONS

Interlocked Width Expansion (Figure 8A)

Two QS723620s may be configured to expand the width to 72 bits. This is accomplished by:

- Cross-connecting the \overline{FF} output of each FIFO to ENI₁ (or ENI₂) input of the other FIFO.
- Cross-connecting the \overline{EF} output of each FIFO to ENO₁ (or ENO₂) input of the other FIFO.

The composite status flags are the OR function of the individual flags.

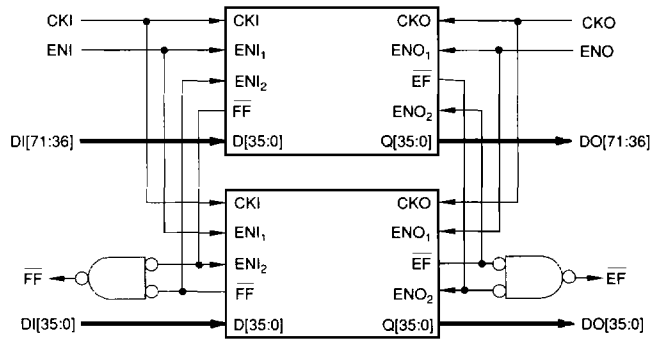
Pipeline Cascading Mode and “Two-Dimension” Pipeline Cascading Mode (Figures 8B and 8C)

Depth cascading is accomplished by:

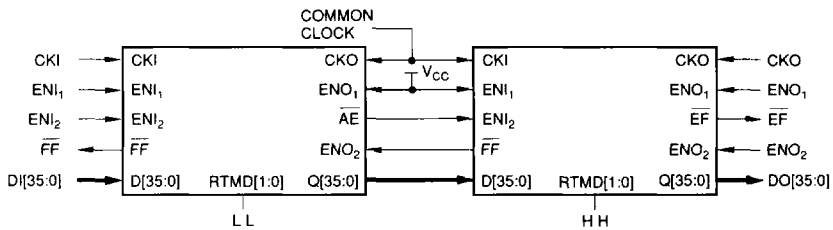
- Setting the upper FIFO into cascade mode: RTMD[1:0] = 0
- Connecting the same free-running clock to CKO of the upper FIFO and to CKI input of the lower FIFO.
- Connecting the \overline{AE} output of the upper FIFO to ENI₁ input (or ENI₂) of the lower FIFO.
- Connecting the \overline{FF} output of the lower FIFO to ENO₁ input (or ENO₂) of the upper FIFO.

Note: RTMD[1:0] should remain stable during cascade mode operation (i.e., remain LOW).

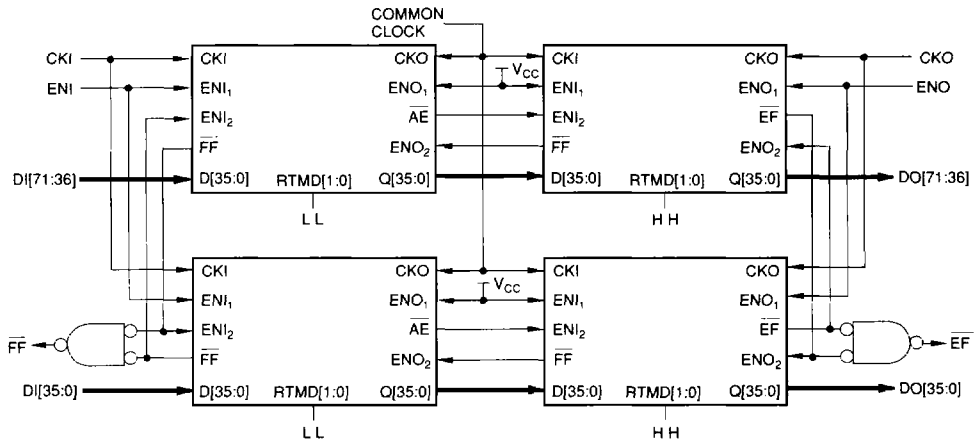
FIGURE 8. QS723620 WIDTH AND DEPTH EXPANSION SCHEME



A. Interlocked Width Expansion



B. Pipelined Cascading Mode



C. "Two-Dimension" Pipelined Cascading Mode

Note:
DI = System data input width. DO = System data output width.

ABSOLUTE MAXIMUM RATINGS⁽¹⁾

Supply Voltage to GND Potential	-0.5V to +7.0V
Signal Pin Voltage to GND Potential ⁽²⁾	-0.5V to V _{CC} + 0.5V
DC Output Current ⁽³⁾	±75 mA
Power Dissipation	2.5W (Quad Flat Pack)
T _{STG} Storage Temperature	-65° to +150°C

Notes:

1. Stresses greater than those listed under ABSOLUTE MAXIMUM RATINGS may cause permanent damage to QSI devices that result in functional- or reliability-type failures.
2. Negative undershoot of 1.5V in amplitude is permitted for up to 10 ns, once per cycle.
2. Only one output may be shorted at a time, for a period not exceeding 30 seconds.

DC ELECTRICAL CHARACTERISTICS OVER OPERATING RANGE

Symbol	Parameter	Test Conditions	Min	Max	Units
V _{IH}	Input HIGH Voltage	Logic HIGH for All Inputs	2.2	V _{CC} + 0.5	V
V _{IL}	Input LOW Voltage ⁽¹⁾	Logic LOW for All Inputs	-0.5	0.8	V
V _{OH}	Output HIGH Voltage	I _{OH} = -8 mA	2.4	—	V
V _{OL}	Output LOW Voltage	I _{OL} = 16 mA	—	0.4	V
I _{LO}	I/O Leakage	0V ≤ V _{OUT} ≤ V _{CC} , $\overline{OE} \geq V_{IH}$	-10	+10	μA
I _{IL}	Input Leakage	V _{CC} = 5.5V, V _{IN} = 0V to V _{CC}	-10	+10	μA

Note:

1. Negative undershoot of 1.5V in amplitude is permitted for up to 10 ns, once per cycle.

POWER SUPPLY CHARACTERISTICS

Symbol	Parameter	Min	Typ	Max	Units
I _{CC}	Operating Current ^(1,2) f _c = Max.	—	205	380	mA
I _{CC2}	Standby Current ⁽¹⁾ All Inputs = V _{IHMIN} (Clocks Idle)	—	40	85	mA
I _{CC3}	Power Down Current ⁽¹⁾ All Inputs at V _{CC} - 0.2V (Clocks Idle)	—	0.01	1.0	mA

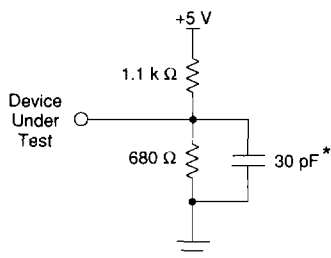
Notes:

1. I_{CC}, I_{CC2}, and I_{CC3} are dependent upon actual output loading, and I_{CC} and I_{CC4} are also dependent on cycle rates. Specified values are with outputs open (for I_{CC}: C_L = 0 pF); and, for I_{CC}, operating at minimum cycle times.
2. I_{CC} (max) using worst case conditions and data pattern. I_{CC} (typ): Using V_{CC} = 5V and average data pattern.
3. I_{CC2} (typ): Using V_{CC} = 5V and T_A = 25°C.

AC TEST CONDITIONS

Input Pulse Levels	V _{SS} to 3V
Input Rise/Fall Times (10% to 90%)	3 ns
Input Timing Reference Levels	1.5V
Output Reference Levels	1.5V
Output Load	30 pF

FIGURE 9. OUTPUT LOAD CIRCUIT



* Includes jig and scope capacitances.

CAPACITANCE

T_A = 25°C, f = 1.0 MHz

Name	Description ⁽¹⁾	Conditions	Typ	Max	Units
C _{IN}	Input Capacitance	V _{IN} = 0V	—	8	pF
C _{OUT}	Output Capacitance	V _{OUT} = 0V	—	10	pF

Note:

1. Capacitance is guaranteed but not tested.

AC ELECTRICAL CHARACTERISTICS ($0^{\circ}\text{C} \leq T_A \leq 70^{\circ}\text{C}$, $V_{CC} = 5\text{V} \pm 10\%$)

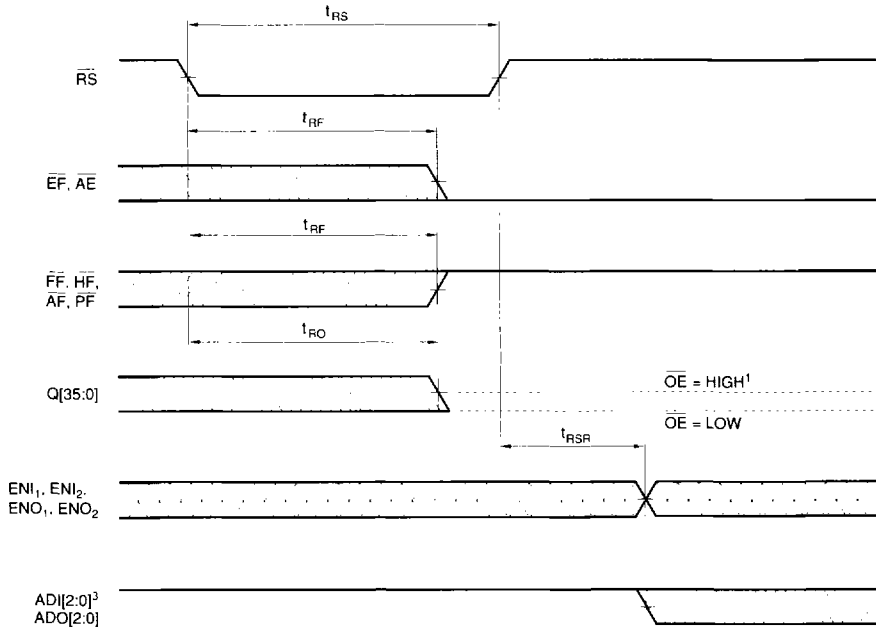
Symbol	Description	20		25		30		Unit
		Min	Max	Min	Max	Min	Max	
fc	Clock Cycle Frequency	—	50	—	40	—	33	MHz
tc	Clock Cycle Time	20	—	25	—	30	—	ns
tCH	Clock HIGH Time	8	—	10	—	12	—	ns
tCL	Clock LOW Time	9	—	12	—	14	—	ns
tDS	Data In Setup Time	5	—	6	—	7	—	ns
tDSO	Data Setup Time When Writing to Resource Register From Output Port	10	—	12	—	14	—	ns
tDH	Data In Hold Time	2	—	2	—	2	—	ns
tDHO	Data Hold Time When Writing to Resource Register From Output Port	2	—	2	—	2	—	ns
tA	Data Out Access Time	—	14	—	16	—	18	ns
tOH	Data Out Hold Time	4	—	4	—	4	—	ns
tES	Enable Setup Time	5	—	6	—	7	—	ns
tEH	Enable Hold Time	2	—	2	—	2	—	ns
tOES	Output Enable Setup Time	6	—	7	—	8	—	ns
tOEH	Output Enable Hold Time	2	—	2	—	2	—	ns
tOL	OE to Data Out Low-Z ⁽²⁾	1	—	1	—	1	—	ns
tOH	OE to Data Out High-Z ⁽²⁾	—	12	—	15	—	19	ns
tOE	OE to Data Valid	—	10	—	12	—	14	ns
tEF	Empty Flag Access Time	—	14	—	16	—	18	ns
tFF	Full Flag Access Time	—	14	—	16	—	18	ns
tAE	AE Flag Access Time	—	14	—	16	—	18	ns
tAF	AF Flag Access Time	—	14	—	16	—	18	ns
tHF	HF Flag Access Time	—	14	—	16	—	18	ns
tPF	Parity Flag Access Time	—	14	—	16	—	18	ns
tMFF	Mailbox FF Access Time	—	14	—	16	—	18	ns
tMEF	Mailbox EF Access Time	—	14	—	16	—	18	ns
tAS	Address Setup Time	10	—	12	—	14	—	ns
tAH	Address Hold Time	2	—	2	—	2	—	ns
tWSS	WSI and WSO Setup Time	10	—	12	—	14	—	ns
tWSH	WSI and WSO Hold Time	2	—	2	—	2	—	ns
tRTMS	Retransmit Mode Setup Time	5	—	6	—	7	—	ns
tRTMH	Retransmit Mode Hold Time	2	—	2	—	2	—	ns
tRTS	Retransmit Setup Time	5	—	6	—	7	—	ns
tRTH	Retransmit Hold Time	2	—	2	—	2	—	ns
tRS	Reset Pulse Width	20	—	25	—	30	—	ns
tRSR	Reset Recovery Time ⁽²⁾	10	—	12	—	15	—	ns
tRF	Reset LOW to Flag Valid	—	30	—	35	—	40	ns
tRO	Reset to Data Out LOW	—	18	—	20	—	22	ns
tBA	Bypass LOW to Data Valid	—	12	—	16	—	18	ns
tBD	Bypass Propagation Delay	—	12	—	16	—	18	ns
tSKEW1	Skew Time Between CK0 and CK1 for FF ⁽³⁾	7	—	9	—	11	—	ns
tSKEW2	Skew Time Between CK1 and CK0 for EF ⁽⁴⁾	7	—	9	—	11	—	ns
tSKEWM	Skew Time Between Clock for Mailbox Flags	7	—	9	—	11	—	ns

Notes:

1. Timing measurements performed at "AC Test Condition" levels.
2. Values are guaranteed by design; not currently tested.
3. These times also apply to the Programmable-Almost-Full and Half-Full flags when they are synchronized to CK1.
4. These times also apply to the Half-Full and Programmable-Almost-Empty flags when they are synchronized to CK0.

TIMING DIAGRAMS

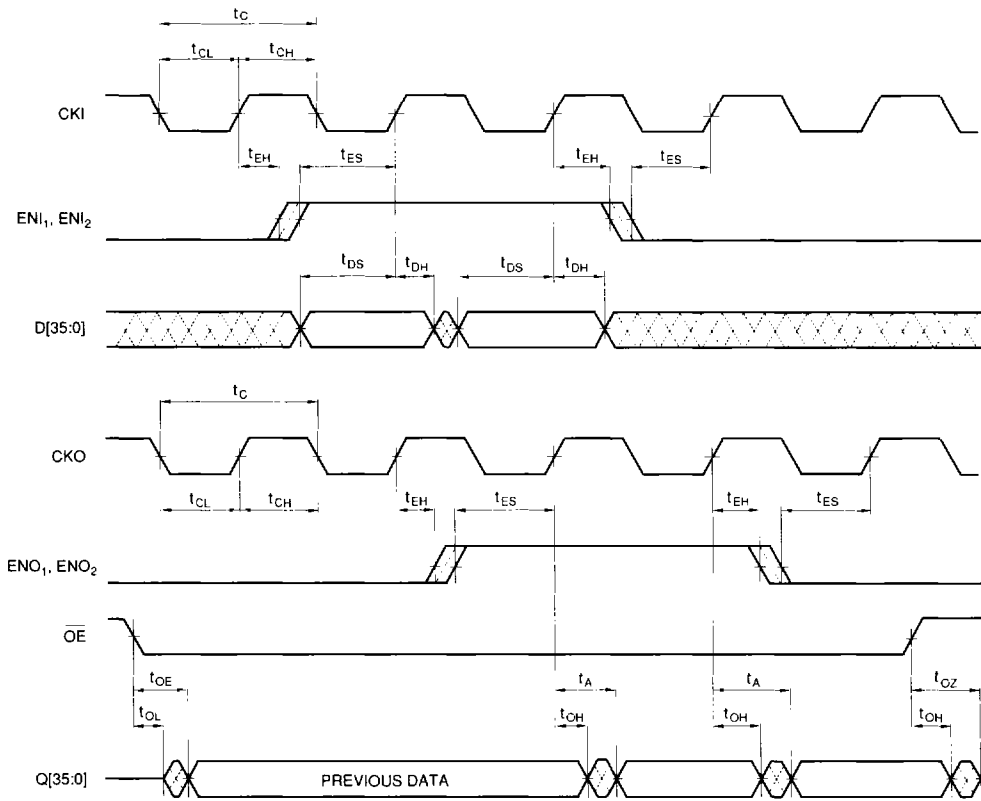
FIGURE 10. RESET TIMING



Notes:

1. After reset, the outputs will be LOW if $\overline{OE} = \text{LOW}$, and in a high-impedance state if $\overline{OE} = \text{HIGH}$.
2. The clocks (CKI, CKO) may be free-running during a reset operation.
3. If CAPR = L, then ADO = XXX and ADI must be = H.H.H for proper reset.
If CAPR = H, then ADI = XXX and ADO must be = H.H.H for proper reset.

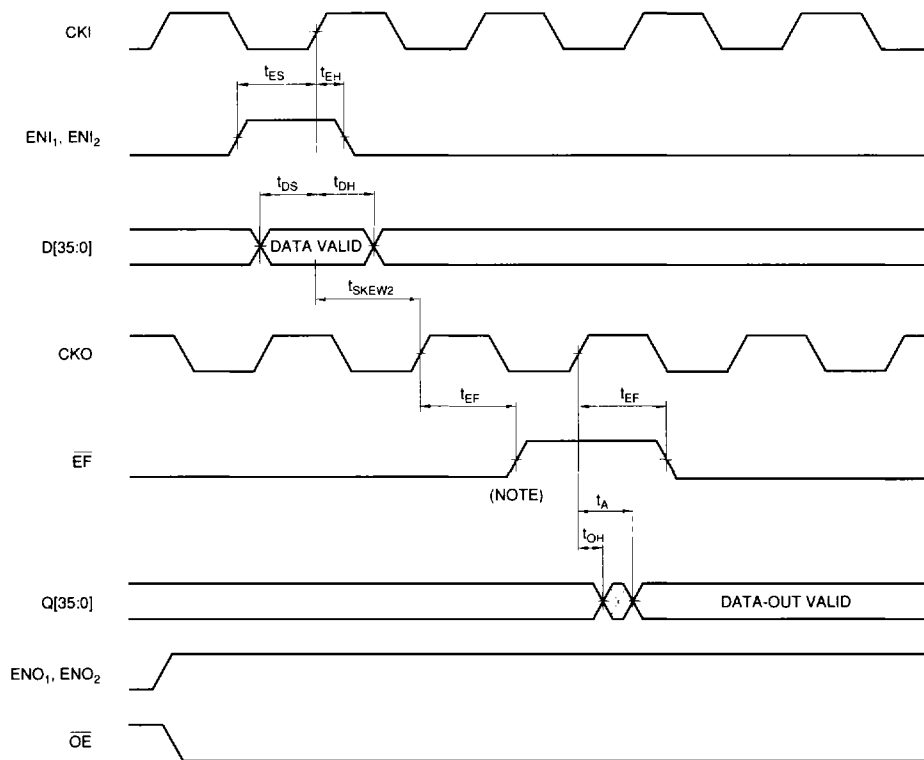
FIGURE 11. WRITE AND READ OPERATION



Notes:

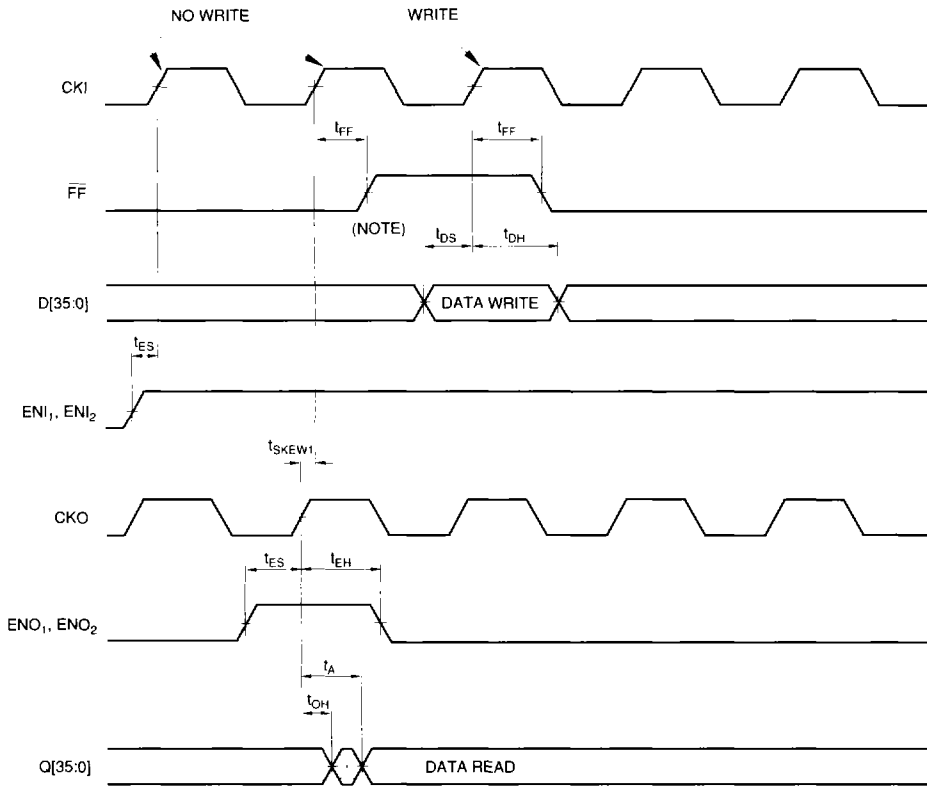
1. Both ENI₁ and ENI₂ must be asserted (HIGH) to enable write operations.
2. Both ENO₁ and ENO₂ must be asserted (HIGH) to enable read operations.

FIGURE 12. EMPTY FLAG TIMING



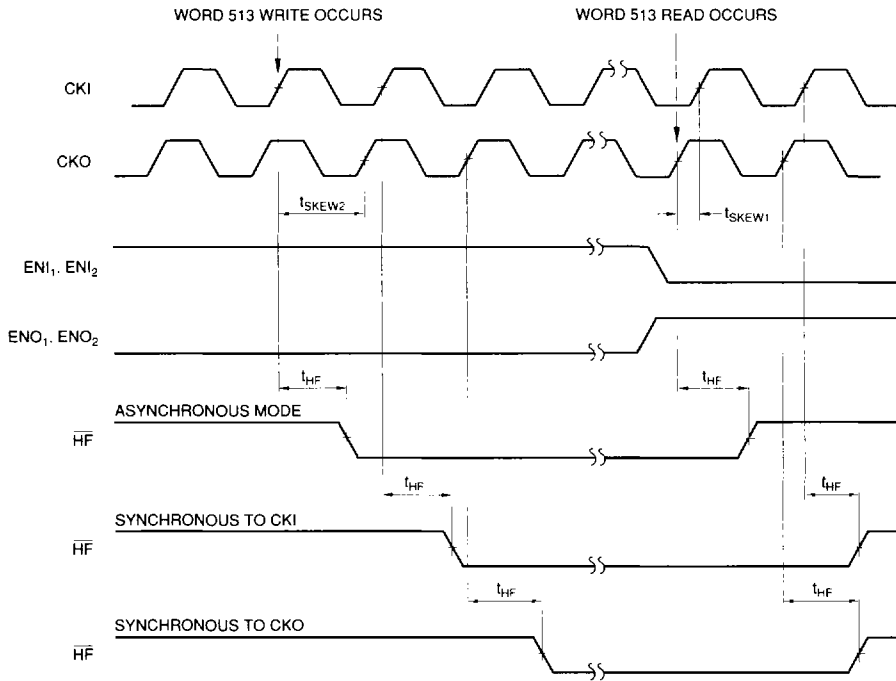
Note: If $t_{SKEW2} < (\text{minimum specification})$ then \overline{EF} may change one CKO cycle later.

FIGURE 13. FULL FLAG TIMING



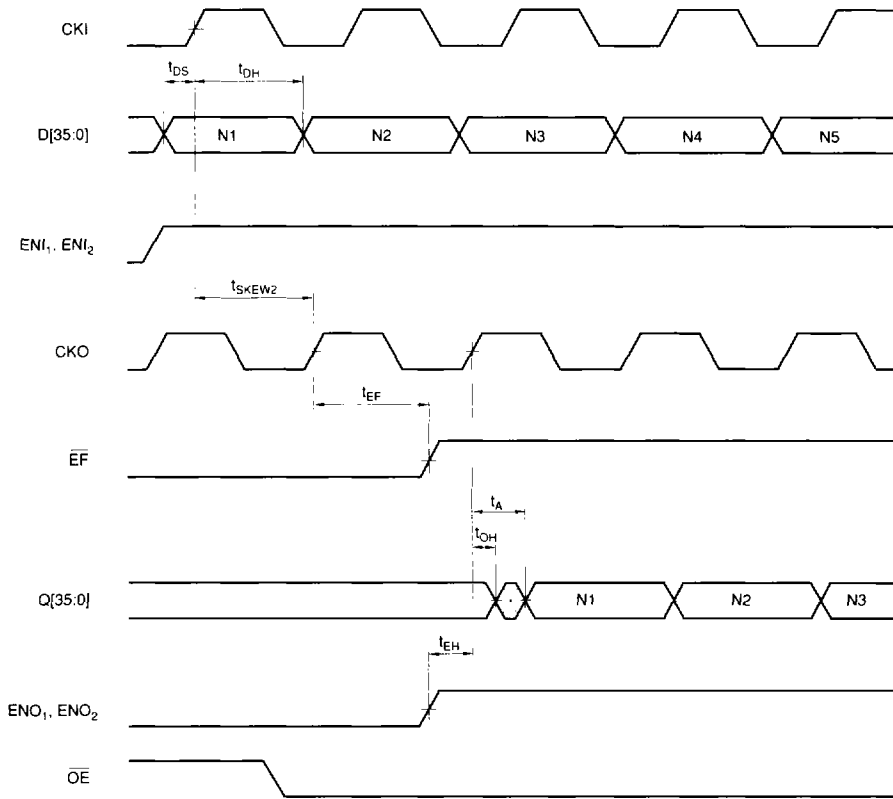
Note: If $t_{skew1} < (\text{minimum specification})$ then \overline{FF} may change one CK1 cycle later.

FIGURE 14. HALF-FULL FLAG: SYNCHRONOUS AND ASYNCHRONOUS MODES



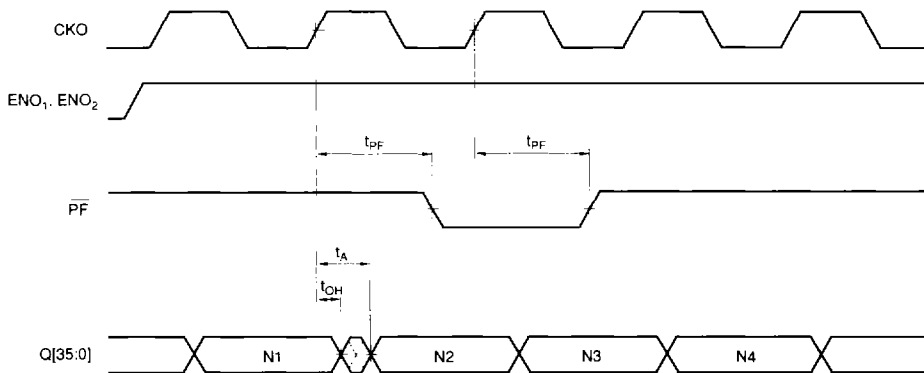
Note: The synchronization mode of \overline{HF} is determined by the state of bits 3 and 4 of the control register.

FIGURE 15. FIRST WORD LATENCY



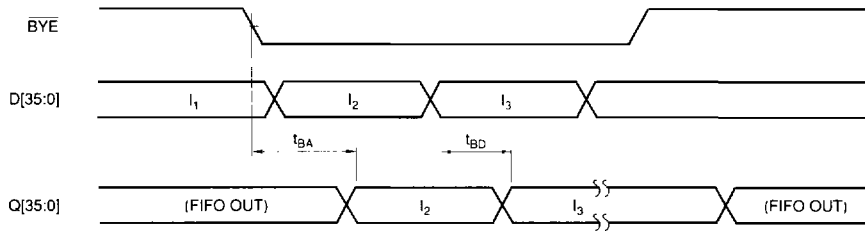
Note: 1. If $t_{skEW2} < (\text{minimum specification})$ then \overline{EF} may change one CKO later and the first word (N1) will appear on Q[35:0] one cycle later.

FIGURE 16. PARITY FLAG



Note: Parity error at word N1.

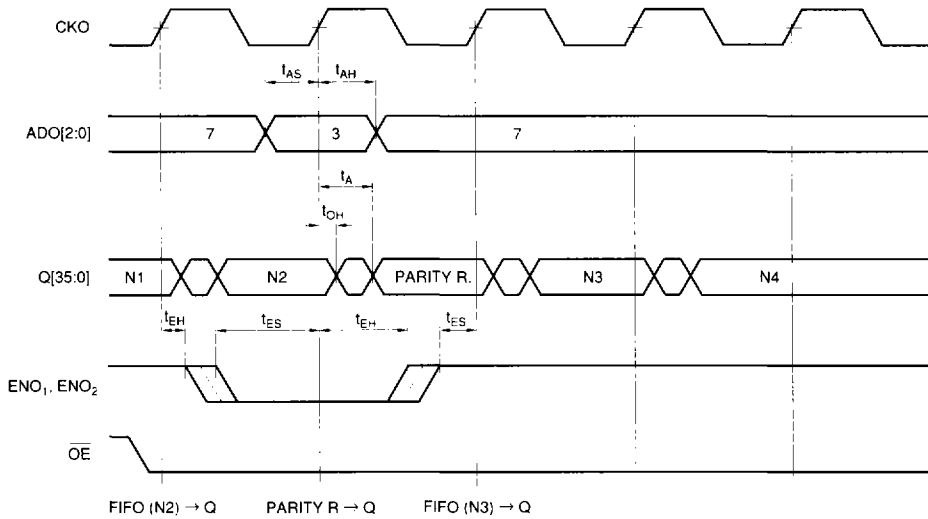
FIGURE 17. BYPASS



Notes:

1. If EN1 is enabled during $\overline{\text{BYE}} = \text{LOW}$, the bypass data will be written into the FIFO.
2. If ENO is enabled the data at the Q Port is the bypass data. The RP will be updated according to CKO.

FIGURE 18. READ RESOURCE REGISTER



Note: N1, N2, N3, N4 are data from the FIFO and PARITY R is the parity register value.

FIGURE 19. WRITE RESOURCE REGISTER FROM THE INPUT PORT

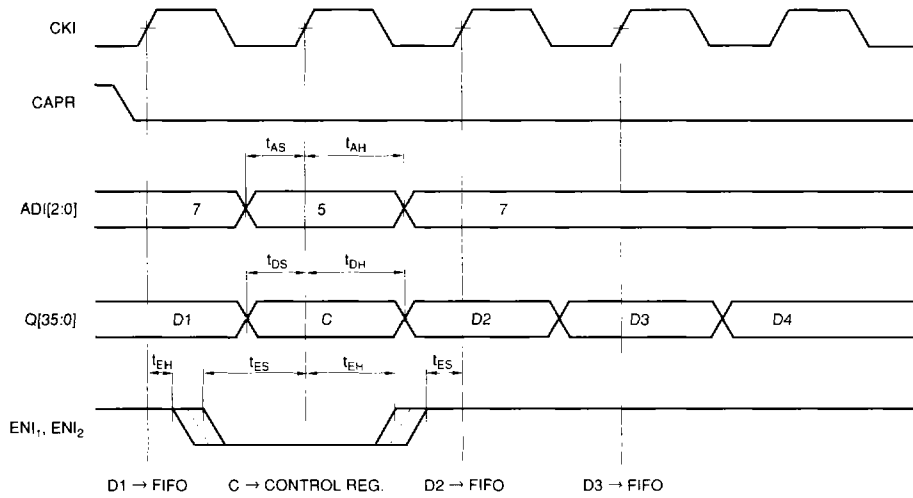


FIGURE 20. WRITE RESOURCE REGISTER FROM THE OUTPUT PORT

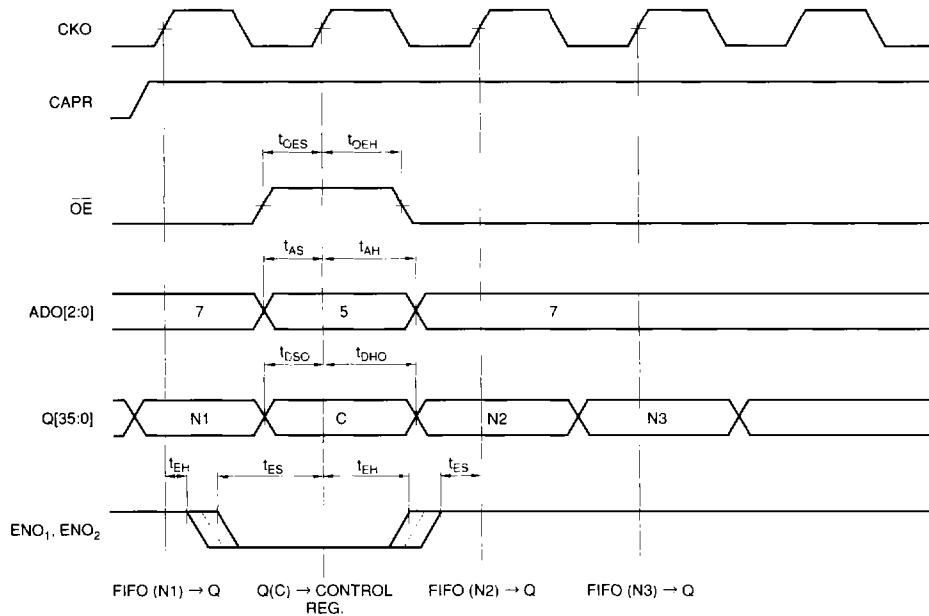


FIGURE 21. WSI[1:0] TIMING

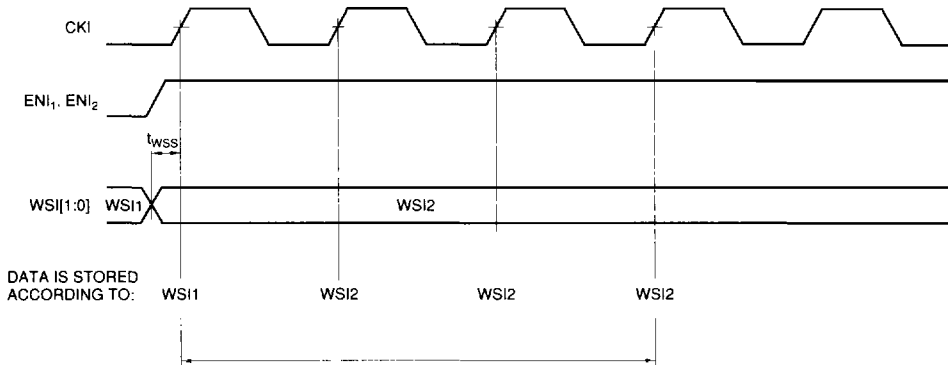
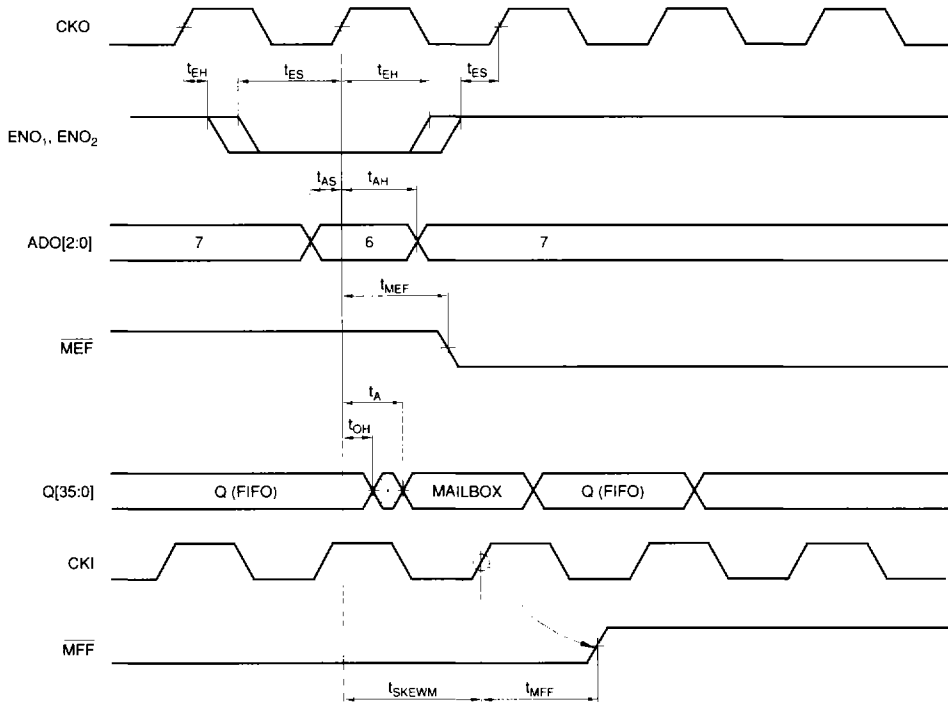
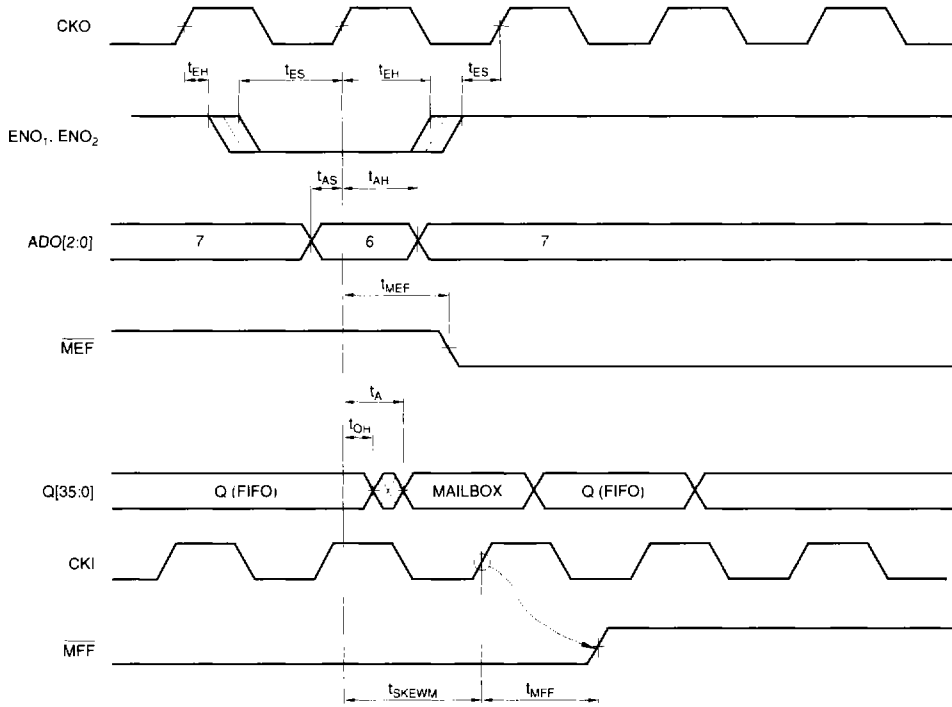


FIGURE 22. WSO[1:0] TIMING



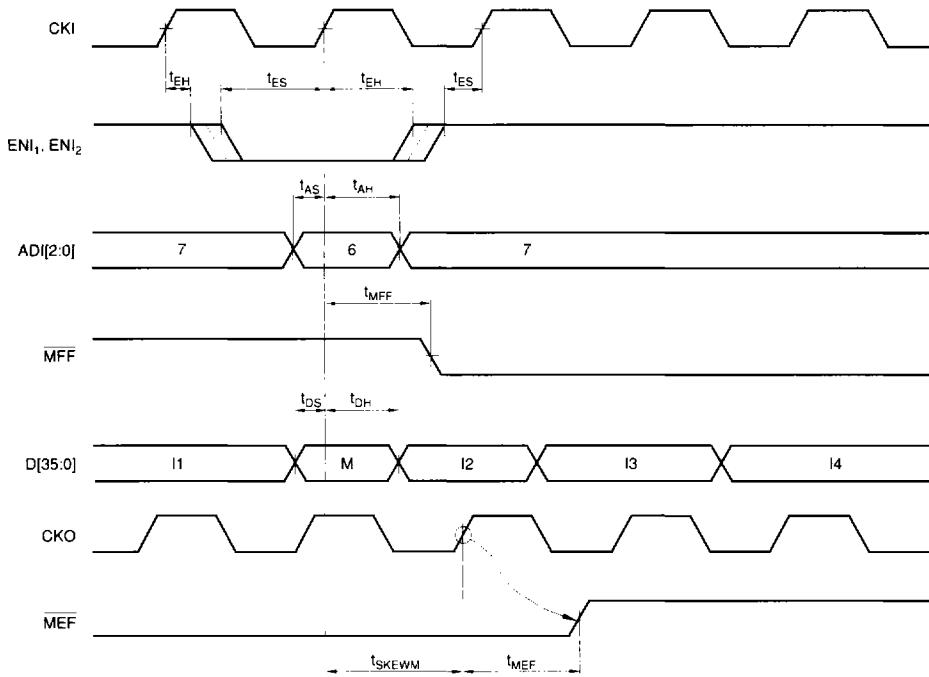
Note: If $t_{SKEWM} < \text{minimum specification}$ $\overline{\text{MFF}}$ may be changed one CKI later.

FIGURE 23. MAILBOX REGISTER



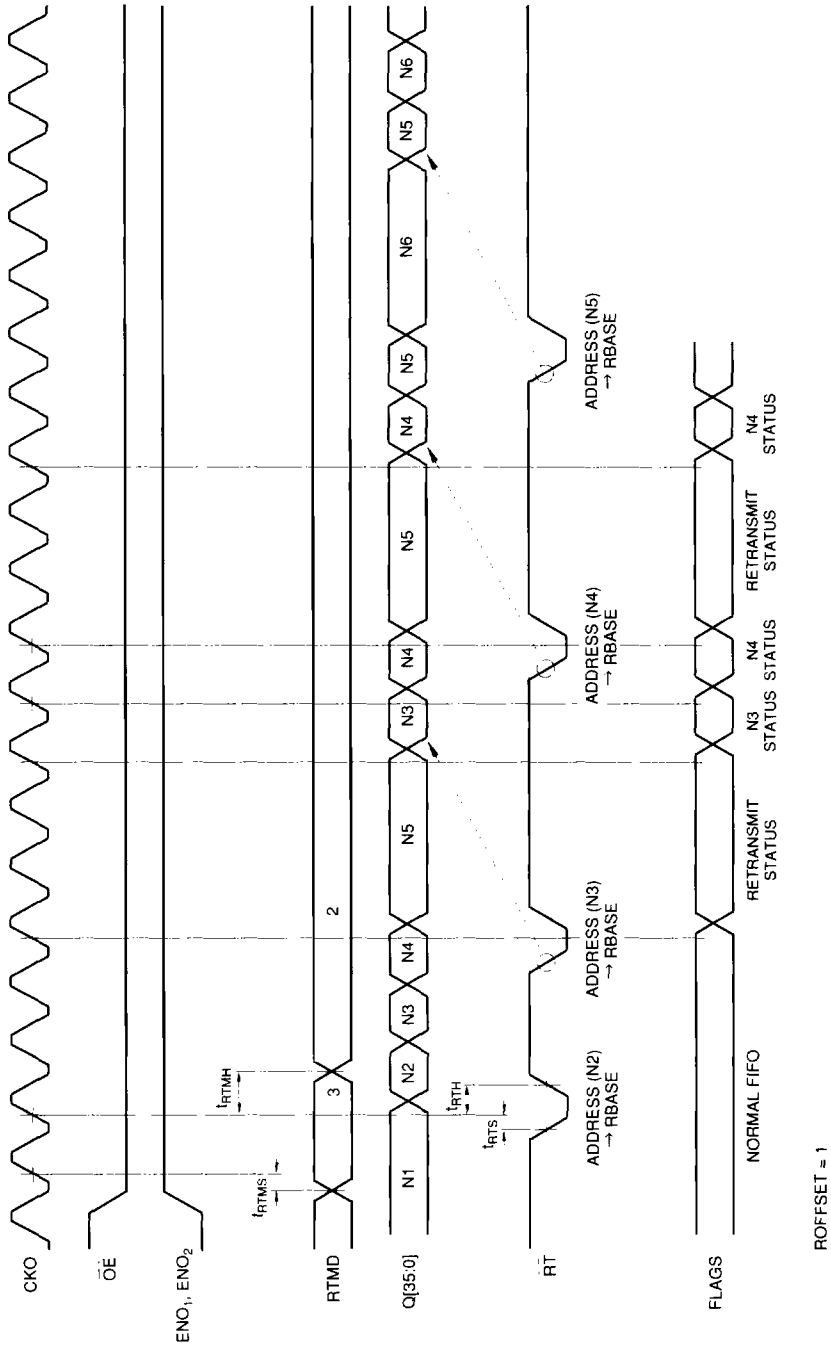
Note: If $t_{SKEWM} <$ minimum specification \overline{MFF} may be changed one CKI later.

FIGURE 24. MAILBOX WRITE



Note: If $t_{SKEWM} <$ minimum specification \overline{MEF} may be changed one CKO later.

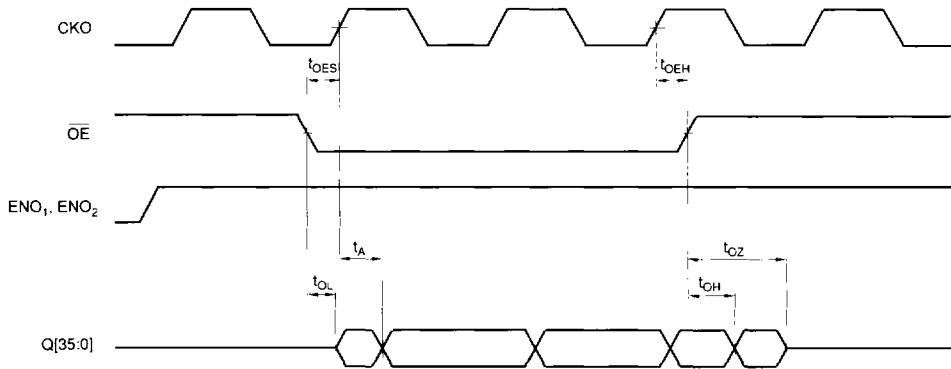
FIGURE 25. RETRANSMIT USING RETRANSMIT AND MARK MODE



Notes:

1. Retransmit status: EF, AE, and FF are HIGH; HF and AF are LOW. Retransmit status for synchronous AE and HF flags (synchronized to CKO) will last for four CKO cycles.
2. RTMD[1:0] must be selected one cycle prior to RT being asserted and must remain stable during RT low.

FIGURE 27. \overline{OE} WHEN BIT 6 OF THE CONTROL REGISTER IS HIGH



ORDERING INFORMATION

Example:

