

512 × 9 Asynchronous FIFO

Features

- Asynchronous First-In First-Out (FIFO) Buffer Memories
 - 512 × 9 (CY7C421)
- Dual-Ported RAM Cell
- High Speed 50 MHz Read and Write Independent of Depth and Width
- Low Operating Power: $I_{CC} = 35 \text{ mA}$
- Empty and Full Flags (Half Full Flag in Standalone)
- TTL Compatible
- Retransmit in Standalone
- Expandable in Width
- PLCC, 7 × 7 TQFP, 300-Mil Molded SOJ
- Pb-free Packages Available
- Pin Compatible and Functionally Equivalent to IDT7201, and AM7201

Functional Description

The CY7C421 is a first-in first-out (FIFO) memory offered in 300-mil wide SOJ, TQFP & PLCC packages and it is 512 words by 9 bits wide. Each FIFO memory is organized such that the data is read in the same sequential order that it was written. Full and empty flags are provided to prevent overflow and underflow. Three additional pins are also provided to facilitate unlimited expansion in width, depth, or both. The depth expansion technique steers the control signals from one device to another in parallel. This eliminates the serial addition of propagation delays, so that throughput is not reduced. Data is steered in a similar manner.

The read and write operations may be asynchronous; each can occur at a rate of 50 MHz. The write operation occurs when the write (\overline{W}) signal is LOW. Read occurs when read (\overline{R}) goes LOW. The nine data outputs go to the high impedance state when \overline{R} is HIGH.

A Half Full (\overline{HF}) output flag that is valid in the standalone and width expansion configurations is provided. In the depth expansion configuration, this pin provides the expansion out (\overline{XO}) information that is used to tell the next FIFO that it is activated.

In the standalone and width expansion configurations, a LOW on the retransmit (\overline{RT}) input causes the FIFO to retransmit the data. Read enable (\overline{R}) and write enable (\overline{W}) must both be HIGH during retransmit, and then \overline{R} is used to access the data.

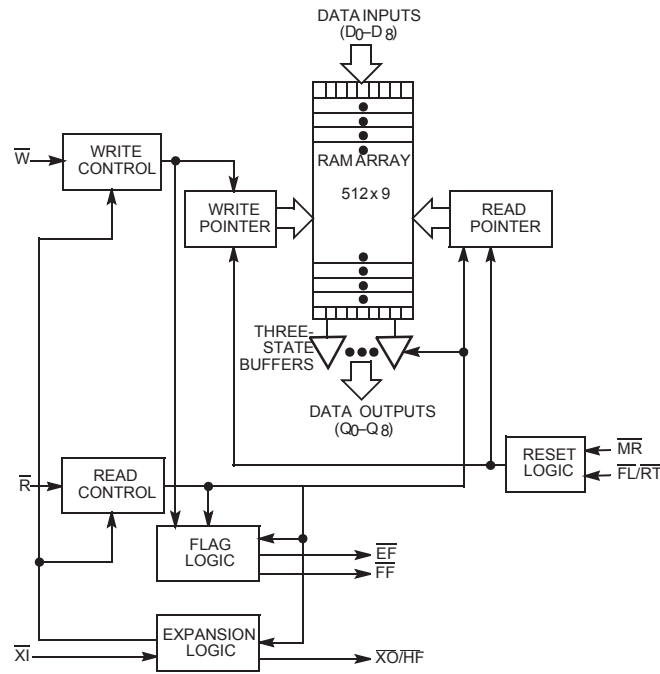
The CY7C421 is fabricated using an advanced 0.65-micron P-well CMOS technology. Input ESD protection is greater than 2000 V and latch up is prevented by careful layout and guard rings.

For a complete list of related documentation, [click here](#).

Selection Guide

512 × 9	-15	-20
Frequency (MHz)	40	33.3
Maximum Access Time (ns)	15	20
I_{CC1} (mA)	35	35

Logic Block Diagram



Contents

Pin Configurations	4	Depth Expansion Mode	13
Pin Definitions	5	Use of the Empty and Full Flags	14
Maximum Ratings	6	Ordering Information	15
Operating Range	6	Ordering Code Definitions	15
Electrical Characteristics	6	Package Diagrams	16
Electrical Characteristics	6	Acronyms	19
Capacitance	7	Document Conventions	19
AC Test Loads and Waveforms	7	Units of Measure	19
Switching Characteristics	8	Document History Page	20
Switching Waveforms	9	Sales, Solutions, and Legal Information	22
Architecture	13	Worldwide Sales and Design Support	22
Dual-Port RAM	13	Products	22
Resetting the FIFO	13	PSoC@Solutions	22
Writing Data to the FIFO	13	Cypress Developer Community	22
Reading Data from the FIFO	13	Technical Support	22
Standalone/Width Expansion Modes	13		

Pin Configurations

Figure 1. 32-pin PLCC/LCC (Top View)

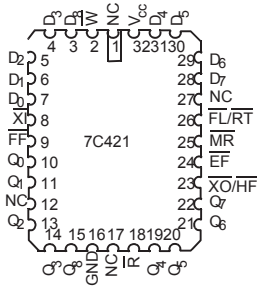


Figure 2. 28-pin DIP (Top View)

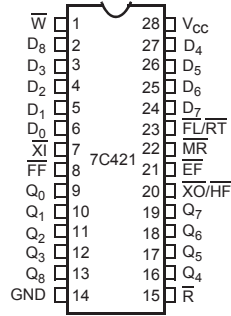
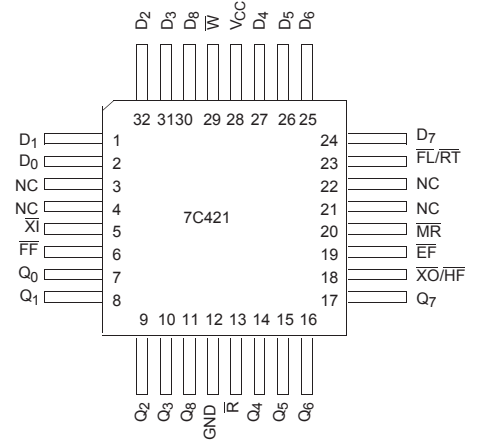


Figure 3. 32-pin TQFP (Top View)



Pin Definitions

Signal Name	Description	I/O	Function
\overline{W}	Write Signal	I	Write into the FIFO
\overline{R}	Read Signal	I	Read from the FIFO
D_0-D_8	Input Data	I	Data into the FIFO
Q_0-Q_8	Output Data	O	Data Out from the FIFO
\overline{XI}	Expansion In	I	Cascaded: Connected to \overline{XO} of pervious device Non-Cascaded: Connected to V_{CC}
\overline{XO}	Expansion Out	O	Cascaded: Connected to \overline{XI} of next device Non-Cascaded: Connected to V_{CC}
\overline{HF}	Half Full Flag	O	Half-full flag: When \overline{HF} is LOW, half of the FIFO is full.
\overline{FF}	Full Flag	O	When \overline{FF} is LOW, the FIFO is full.
\overline{EF}	Empty Flag	O	When \overline{EF} is LOW, the FIFO is empty.
\overline{MR}	Master Reset	I	FIFO Reset
\overline{RT}	Retransmit	I	Causes FIFO to retransmit the data
\overline{FL}	First Load	I	Width expansion: Connected to V_{CC} Depth expansion: when Gnd indicates that part is first to be loaded all others connected to V_{CC}
V_{CC}	Power	I	Voltage Supply
GND	Ground	I	Ground

Maximum Ratings

Exceeding maximum ratings may impair the useful life of the device. These user guidelines are not tested.^[1]

- Storage Temperature -65 °C to +150 °C
- Ambient Temperature with Power Applied -55 °C to +125 °C
- Supply Voltage to Ground Potential -0.5 V to +7.0 V
- DC Voltage Applied to Outputs in High Z State -0.5 V to +7.0 V
- DC Input Voltage -0.5 V to +7.0 V

- Power Dissipation 1.0 W
- Output Current, into Outputs (LOW) 20 mA
- Static Discharge Voltage (per MIL-STD-883, Method 3015) > 2000 V
- Latch Up Current > 200 mA

Operating Range

Range	Ambient Temperature ^[2]	V _{CC}
Commercial	0 °C to +70 °C	5 V ± 10%
Industrial	-40 °C to +85 °C	5 V ± 10%

Electrical Characteristics

Over the Operating Range

Parameter	Description	Test Conditions	All Speed Grades		Unit	
			Min	Max		
V _{OH}	Output HIGH Voltage	V _{CC} = Min, I _{OH} = -2.0 mA	2.4	-	V	
V _{OL}	Output LOW Voltage	V _{CC} = Min, I _{OL} = 8.0 mA	-	0.4	V	
V _{IH}	Input HIGH Voltage		Commercial	2.0	V _{CC}	V
			Industrial	2.2	V _{CC}	
V _{IL}	Input LOW Voltage		[3]	0.8	V	
I _{IX}	Input Leakage Current	GND ≤ V _I ≤ V _{CC}	-10	+10	µA	
I _{OZ}	Output Leakage Current	$\bar{R} \geq V_{IH}$, GND ≤ V _O ≤ V _{CC}	-10	+10	µA	
I _{OS}	Output Short Circuit Current ^[4]	V _{CC} = Max, V _{OUT} = GND	-	-90	mA	

Electrical Characteristics

Over the Operating Range

Parameter	Description	Test Conditions	-15		-20		Unit	
			Min	Max	Min	Max		
I _{CC}	Operating Current	V _{CC} = Max, I _{OUT} = 0 mA, f = f _{MAX}	Commercial	-	65	-	55	mA
			Industrial	-	100	-	90	
I _{CC1}	Operating Current	V _{CC} = Max, I _{OUT} = 0 mA, f = 20 MHz	Commercial	-	35	-	35	mA
I _{SB1}	Standby Current	All Inputs = V _{IH} Min	Commercial	-	10	-	10	mA
			Industrial	-	15	-	15	
I _{SB2}	Power Down Current	All Inputs ≥ V _{CC} - 0.2 V	Commercial	-	5	-	5	mA
			Industrial	-	8	-	8	

Notes

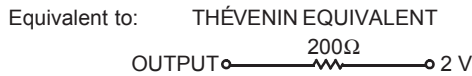
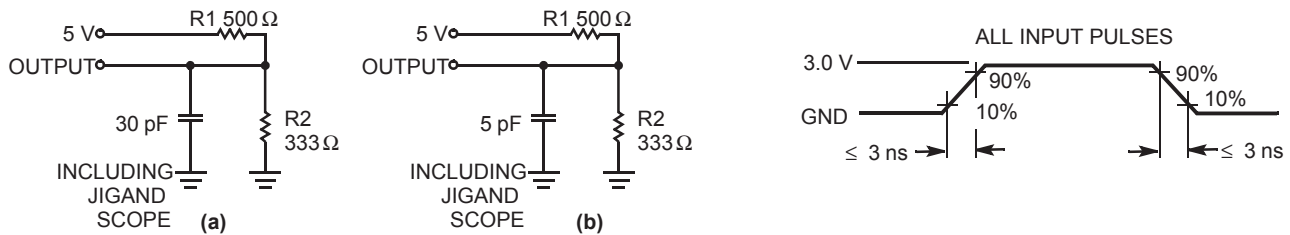
1. Single Power Supply: The voltage on any input or I/O pin cannot exceed the power pin during power up.
2. T_A is the "instant on" case temperature.
3. V_{IL(Min)} = -2.0 V for pulse durations of less than 20 ns.
4. For test purposes, not more than one output at a time should be shorted. Short circuit test duration should not exceed 30 seconds.

Capacitance

Parameter ^[5]	Description	Test Conditions	Max	Unit
C _{IN}	Input Capacitance	T _A = 25 °C, f = 1 MHz, V _{CC} = 4.5 V	6	pF
C _{OUT}	Output Capacitance		6	pF

AC Test Loads and Waveforms

Figure 4. AC Test Loads and Waveforms



Note
 5. Tested initially and after any design or process changes that may affect these parameters.

Switching Characteristics

Over the Operating Range

Parameter ^[6]	Description	-15		-20		Unit
		Min	Max	Min	Max	
t_{RC}	Read Cycle Time	25	–	30	–	ns
t_A	Access Time	–	15	–	20	ns
t_{RR}	Read Recovery Time	10	–	10	–	ns
t_{PR}	Read Pulse Width	15	–	20	–	ns
$t_{LZR}^{[7]}$	Read LOW to Low Z	3	–	3	–	ns
$t_{DVR}^{[7, 8]}$	Data Valid after Read HIGH	5	–	5	–	ns
$t_{HZR}^{[7, 8]}$	Read HIGH to High Z	–	15	–	15	ns
t_{WC}	Write Cycle Time	25	–	30	–	ns
t_{PW}	Write Pulse Width	15	–	20	–	ns
$t_{HWZ}^{[7]}$	Write HIGH to Low Z	5	–	5	–	ns
t_{WR}	Write Recovery Time	10	–	10	–	ns
t_{SD}	Data Setup Time	8	–	12	–	ns
t_{HD}	Data Hold Time	0	–	0	–	ns
t_{MRSC}	MR Cycle Time	25	–	30	–	ns
t_{PMR}	MR Pulse Width	15	–	20	–	ns
t_{RMR}	MR Recovery Time	10	–	10	–	ns
t_{RPW}	Read HIGH to MR HIGH	15	–	20	–	ns
t_{WPW}	Write HIGH to MR HIGH	15	–	20	–	ns
t_{RTC}	Retransmit Cycle Time	25	–	30	–	ns
t_{PRT}	Retransmit Pulse Width	15	–	20	–	ns
t_{RTR}	Retransmit Recovery Time	10	–	10	–	ns
t_{EFL}	MR to EF LOW	–	25	–	30	ns
t_{HFH}	MR to HF HIGH	–	25	–	30	ns
t_{FFH}	MR to FF HIGH	–	25	–	30	ns
t_{REF}	Read LOW to EF LOW	–	15	–	20	ns
t_{RFF}	Read HIGH to FF HIGH	–	15	–	20	ns
t_{WEF}	Write HIGH to EF HIGH	–	15	–	20	ns
t_{WFF}	Write LOW to FF LOW	–	15	–	20	ns
t_{WHF}	Write LOW to HF LOW	–	15	–	20	ns
t_{RHF}	Read HIGH to HF HIGH	–	15	–	20	ns
t_{RAE}	Effective Read from Write HIGH	–	15	–	20	ns
t_{RPE}	Effective Read Pulse Width after EF HIGH	15	–	20	–	ns
t_{WAF}	Effective Write from Read HIGH	–	15	–	20	ns
t_{WPF}	Effective Write Pulse Width after FF HIGH	15	–	20	–	ns
t_{XOL}	Expansion Out LOW Delay from Clock	–	15	–	20	ns
t_{XOH}	Expansion Out HIGH Delay from Clock	–	15	–	20	ns

Notes

- Test conditions assume signal transition time of 3 ns or less, timing reference levels of 1.5 V and output loading of the specified I_{OL}/I_{OH} and 30 pF load capacitance, as in part (a) of Figure 4 on page 7, unless otherwise specified.
- t_{HZR} transition is measured at +200 mV from V_{OL} and –200 mV from V_{OH} ; t_{DVR} transition is measured at the 1.5V level. t_{HWZ} and t_{LZR} transition is measured at ±100 mV from the steady state.
- t_{HZR} and t_{DVR} use capacitance loading as in part (b) of Figure 4 on page 7.

Switching Waveforms

Figure 5. Asynchronous Read and Write

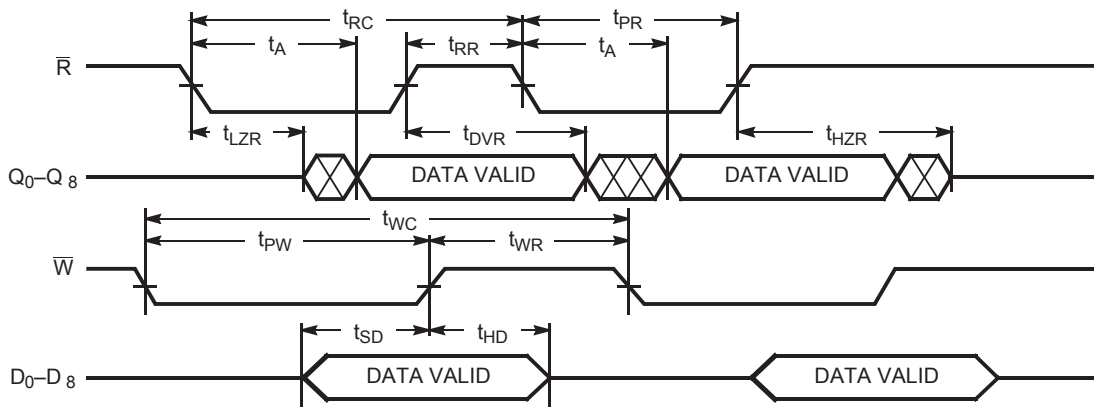


Figure 6. Master Reset

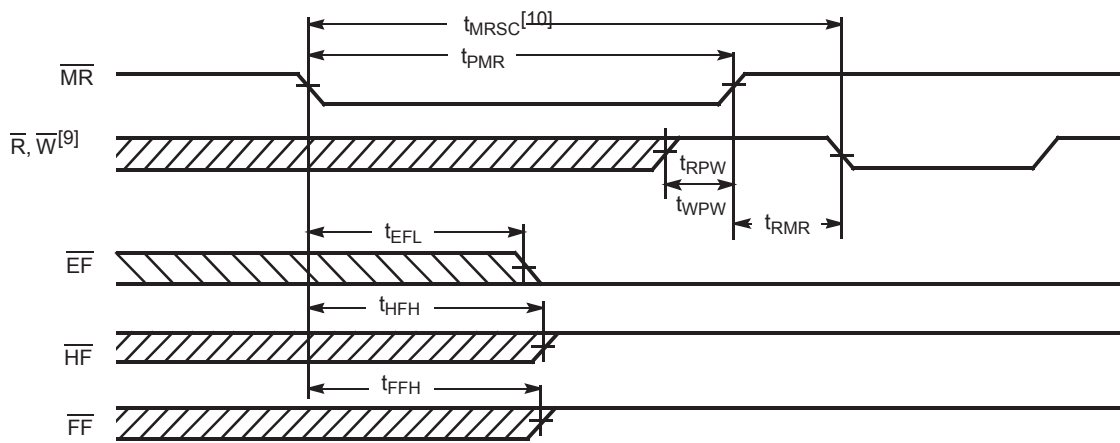
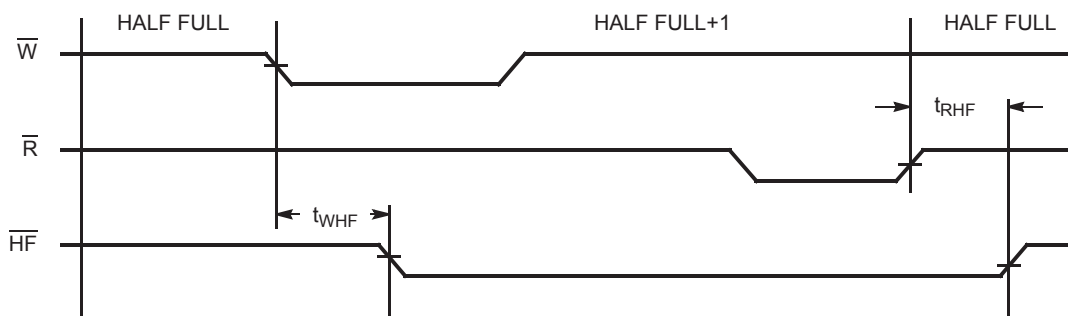


Figure 7. Half-full Flag



Notes

- 9. \bar{W} and $\bar{R} \geq V_{IH}$ around the rising edge of \bar{MR} .
- 10. $t_{MRSC} = t_{PMR} + t_{RMR}$.

Switching Waveforms (continued)

Figure 8. Last Write to First Read Full Flag

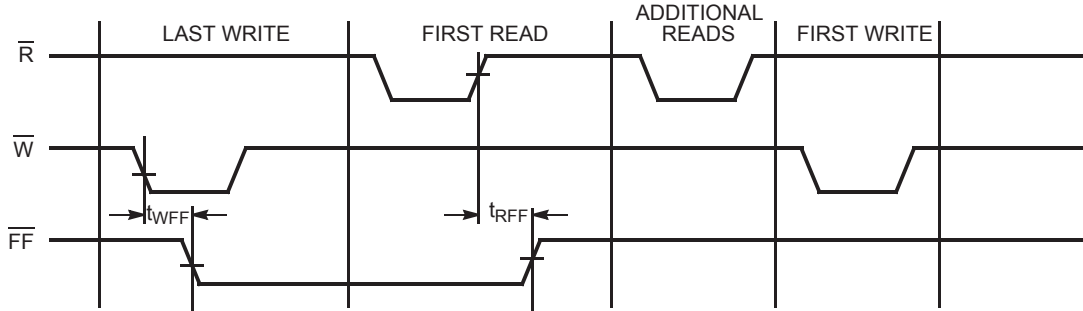


Figure 9. Last Read to First Write Empty Flag

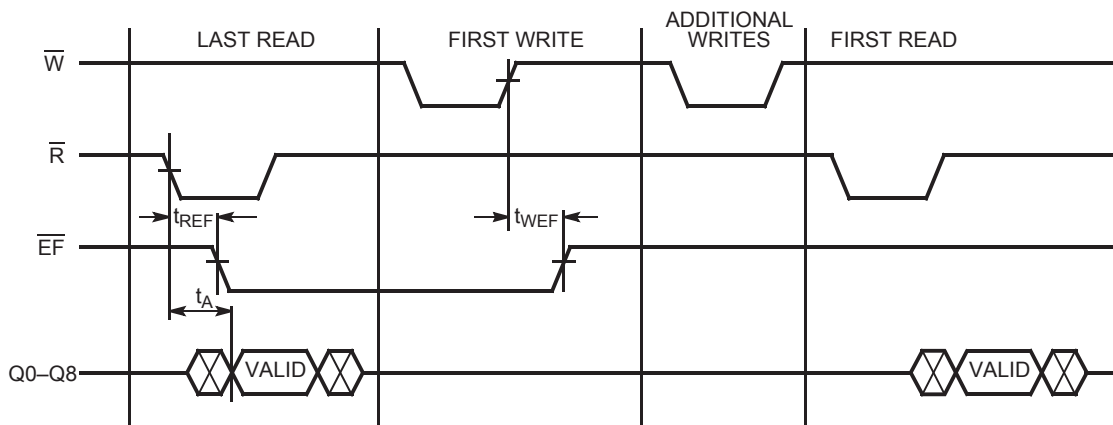
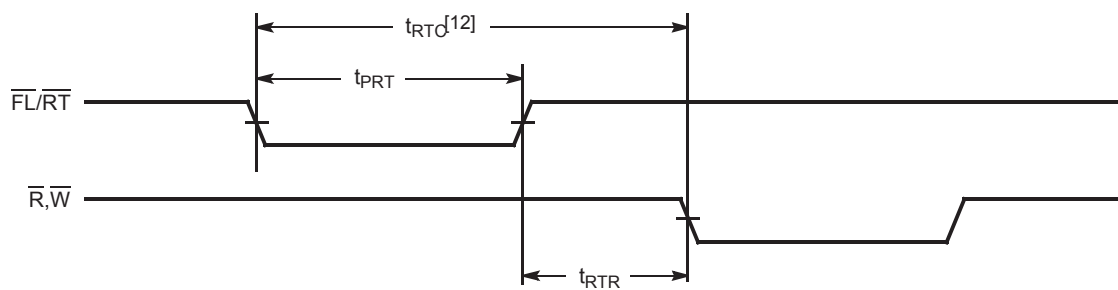


Figure 10. Retransmit ^[11]



Notes

11. \overline{EF} , \overline{HF} and \overline{FF} may change state during retransmit as a result of the offset of the read and write pointers, but flags are valid at t_{RTD} .

12. $t_{RTD} = t_{PRT} + t_{RTR}$.

Switching Waveforms (continued)

Figure 11. Empty Flag and Read Data Flow-through Mode

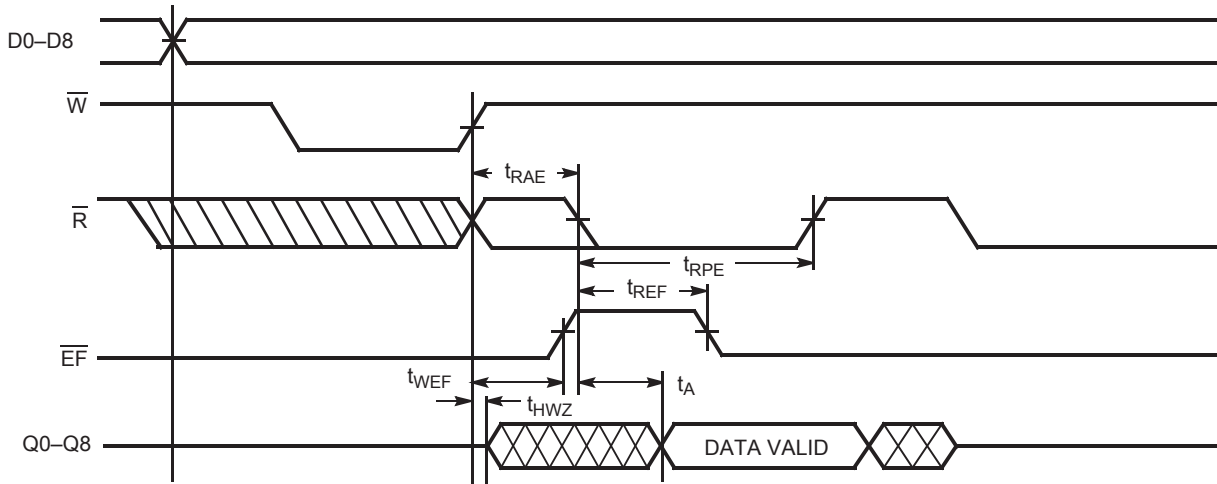
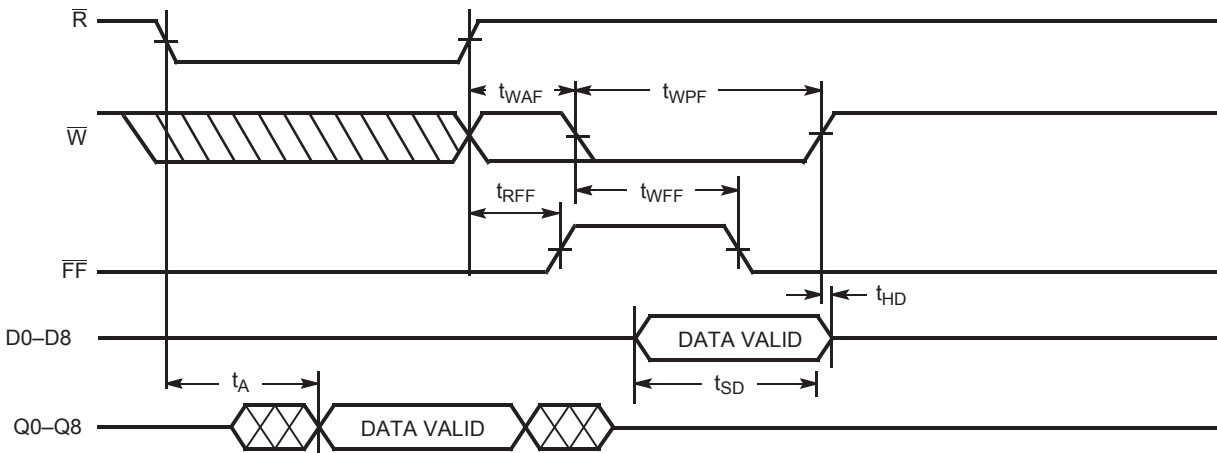
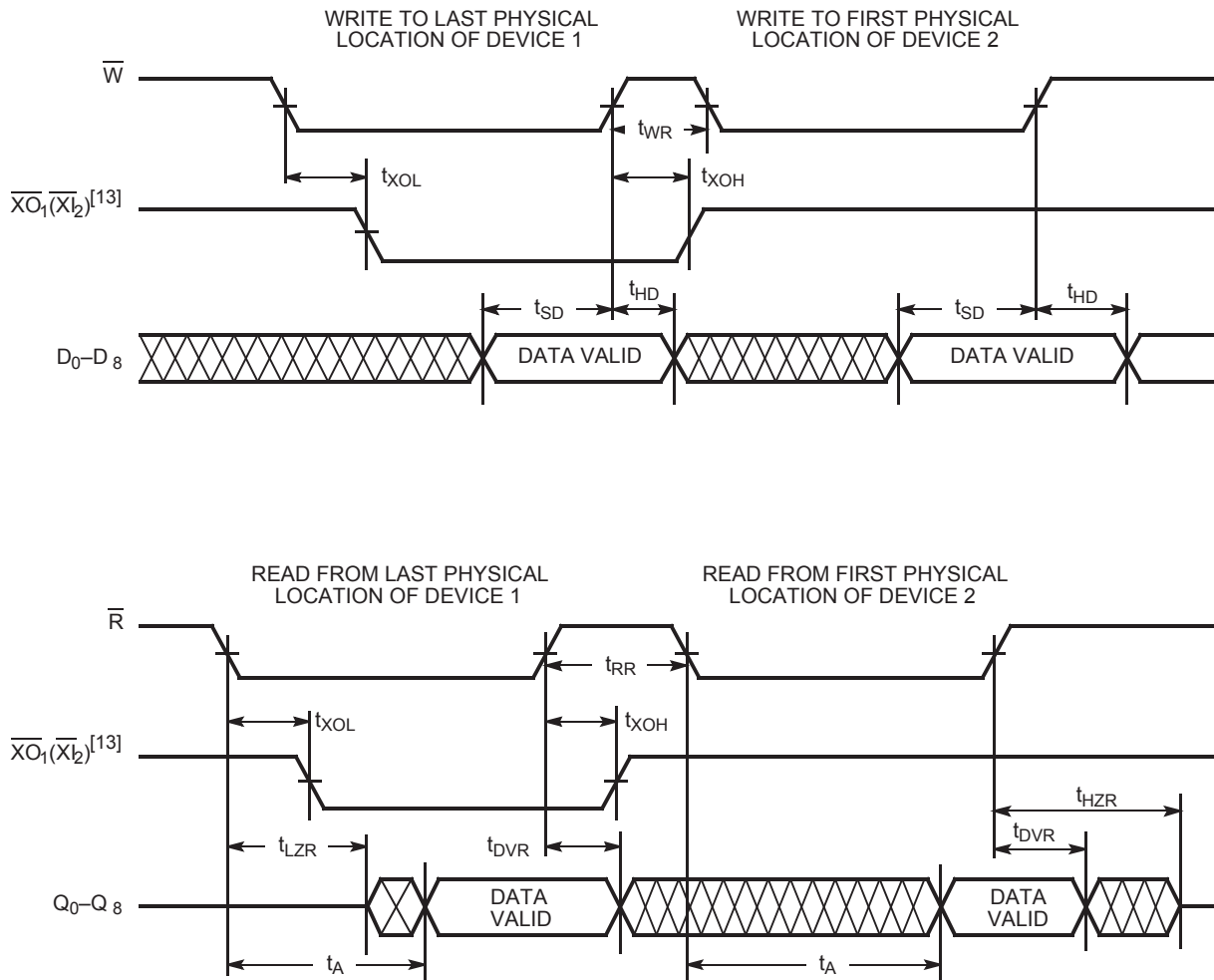


Figure 12. Full Flag and Write Data Flow-through Mode



Switching Waveforms (continued)

Figure 13. Expansion Timing Diagrams



Note
 13. Expansion Out of device 1 ($\overline{XO_1}$) is connected to Expansion In of device 2 ($\overline{XI_2}$).

Architecture

The CY7C421 FIFO consist of an array of 512 words of 9 bits each (implemented by an array of dual-port RAM cells), a read pointer, a write pointer, control signals (\overline{W} , \overline{R} , \overline{XI} , \overline{XO} , \overline{FL} , \overline{RT} , \overline{MR}), and Full, Half Full, and Empty flags.

Dual-Port RAM

The dual-port RAM architecture refers to the basic memory cell used in the RAM. The cell itself enables the read and write operations to be independent of each other, which is necessary to achieve truly asynchronous operation of the inputs and outputs. A second benefit is that the time required to increment the read and write pointers is much less than the time required for data propagation through the memory, which is the case if memory is implemented using the conventional register array architecture.

Resetting the FIFO

Upon power up, the FIFO must be reset with a Master Reset (\overline{MR}) cycle. This causes the FIFO to enter the empty condition signified by the Empty flag (\overline{EF}) being LOW, and both the Half Full (\overline{HF}) and Full flags (\overline{FF}) being HIGH. Read (\overline{R}) and write (\overline{W}) must be HIGH t_{RPW}/t_{WPW} before and t_{RMR} after the rising edge of \overline{MR} for a valid reset cycle. If reading from the FIFO after a reset cycle is attempted, the outputs are in the high impedance state.

Writing Data to the FIFO

The availability of at least one empty location is indicated by a HIGH \overline{FF} . The falling edge of \overline{W} initiates a write cycle. Data appearing at the inputs (D_0 – D_8) t_{SD} before and t_{HD} after the rising edge of \overline{W} are stored sequentially in the FIFO.

The \overline{EF} LOW-to-HIGH transition occurs t_{WEF} after the first LOW-to-HIGH transition of \overline{W} for an empty FIFO. \overline{HF} goes LOW t_{WHF} after the falling edge of \overline{W} following the FIFO actually being Half Full. Therefore, the \overline{HF} is active after the FIFO is filled to half its capacity plus one word. \overline{HF} remains LOW while less than one half of total memory is available for writing. The LOW-to-HIGH transition of \overline{HF} occurs t_{RHF} after the rising edge of \overline{R} when the FIFO goes from half full +1 to half full. \overline{HF} is available in standalone and width expansion modes. \overline{FF} goes LOW t_{WFF} after the falling edge of \overline{W} , during the cycle in which the last available location is filled. Internal logic prevents FIFO overflow. Writes to a full FIFO are ignored and the write pointer is not incremented. \overline{FF} goes HIGH t_{RFF} after a read from a full FIFO.

Reading Data from the FIFO

The falling edge of \overline{R} initiates a read cycle provided \overline{EF} is not LOW. Data outputs (Q_0 – Q_8) are in a high impedance condition between read operations (\overline{R} HIGH), when the FIFO is empty, or when the FIFO is not the active device in the depth expansion mode.

When one word is in the FIFO, the falling edge of \overline{R} initiates a HIGH-to-LOW transition of \overline{EF} . The rising edge of \overline{R} causes the data outputs to go to the high impedance state and remain such until a write is performed. Reads to an empty FIFO are ignored and do not increment the read pointer. From the empty condition, the FIFO can be read t_{WEF} after a valid write.

The retransmit feature is beneficial when transferring packets of data. It enables the receiver to acknowledge receipt of data and retransmit, if necessary.

The Retransmit (\overline{RT}) input is active in the standalone and width expansion modes. The retransmit feature is intended for use when a number of writes equal to or less than the depth of the FIFO have occurred since the last \overline{MR} cycle. A LOW pulse on \overline{RT} resets the internal read pointer to the first physical location of the FIFO. \overline{R} and \overline{W} must both be HIGH for t_{PRT} and t_{RTR} after retransmit is asserted. With every read cycle after retransmit, the data from the first physical location of FIFO is read until the read pointer equals write pointer. Full, Half Full, and Empty flags are governed by the relative locations of the read and write pointers and are updated during a retransmit cycle. Data written to the FIFO after activation of \overline{RT} are also transmitted. Full depth of FIFO data can be repeatedly retransmitted.

Standalone/Width Expansion Modes

Standalone and width expansion modes are set by grounding Expansion In (\overline{XI}) and tying First Load (\overline{FL}) to V_{CC} . FIFOs can be expanded in width to provide word widths greater than nine in increments of nine. During width expansion mode, all control line inputs are common to all devices, and flag outputs from any device can be monitored.

Depth Expansion Mode

Depth expansion mode (see Figure 14 on page 14) is entered when, during a \overline{MR} cycle, Expansion Out (\overline{XO}) of one device is connected to Expansion In (\overline{XI}) of the next device, with \overline{XO} of the last device connected to \overline{XI} of the first device. In the depth expansion mode the First Load (\overline{FL}) input, when grounded, indicates that this part is the first to be loaded. All other devices must have this pin HIGH. To enable the correct FIFO, \overline{XO} is pulsed LOW when the last physical location of the previous FIFO is written to and pulsed LOW again when the last physical location is read. Only one FIFO is enabled for read and one for write at any particular time. All other devices are in standby.

FIFOs can also be expanded simultaneously in depth and width. Consequently, any depth or width FIFO can be created of word widths in increments of 9. When expanding in depth, a composite \overline{FF} must be created by ORing the \overline{FF} s together. Likewise, a composite \overline{EF} is created by ORing the \overline{EF} s together. \overline{HF} and \overline{RT} functions are not available in depth expansion mode.

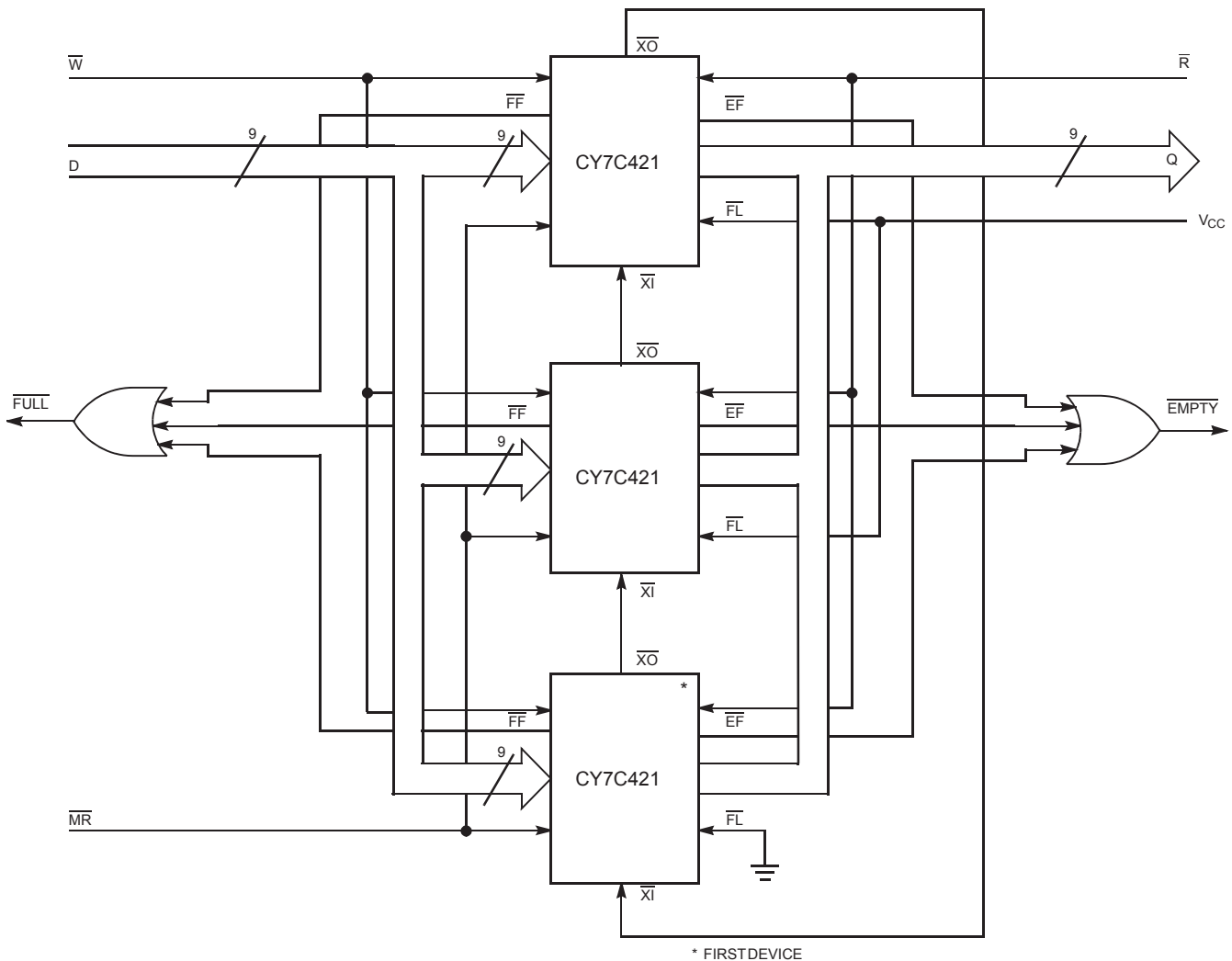
Use of the Empty and Full Flags

To achieve maximum frequency, the flags must be valid at the beginning of the next cycle. However, because they can be updated by either edge of the read or write signal, they must be valid by one-half of a cycle. Cypress FIFOs meet this requirement.

The reason for why the flags should be valid by the next cycle is complex. The “effective pulse width violation” phenomenon can occur at the full and empty boundary conditions, if the flags are not properly used. The empty flag must be used to prevent reading from an empty FIFO and the full flag must be used to prevent writing into a full FIFO.

For example, consider an empty FIFO that is receiving read pulses. Because the FIFO is empty, the read pulses are ignored by the FIFO, and nothing happens. Next, a single word is written into the FIFO, with a signal that is asynchronous to the read signal. The (internal) state machine in the FIFO goes from empty to empty+1. However, it does this asynchronously with respect to the read signal, so that the effective pulse width of the read signal cannot be determined, because the state machine does not look at the read signal until it goes to the empty+1 state. Similarly, the minimum write pulse width may be violated by trying to write into a full FIFO, and asynchronously performing a read. The empty and full flags are used to avoid these effective pulse width violations, but to do this and operate at the maximum frequency, the flag must be valid at the beginning of the next cycle.

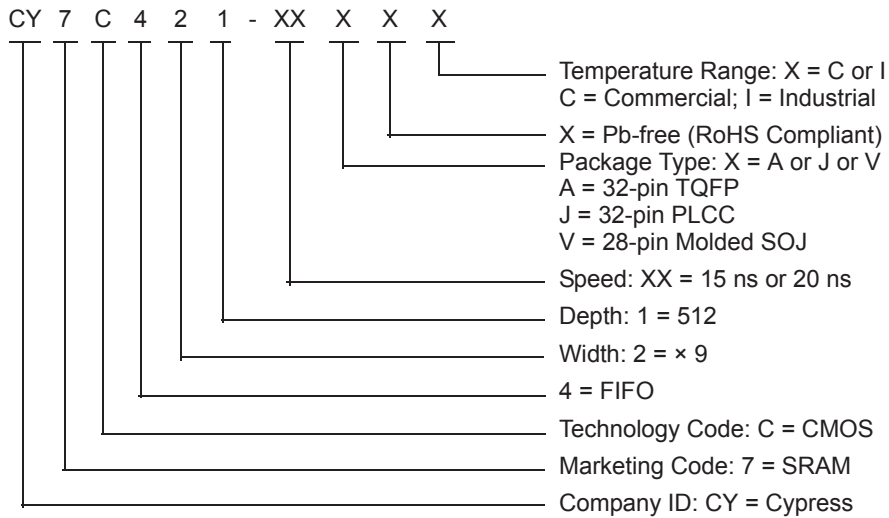
Figure 14. Depth Expansion



Ordering Information

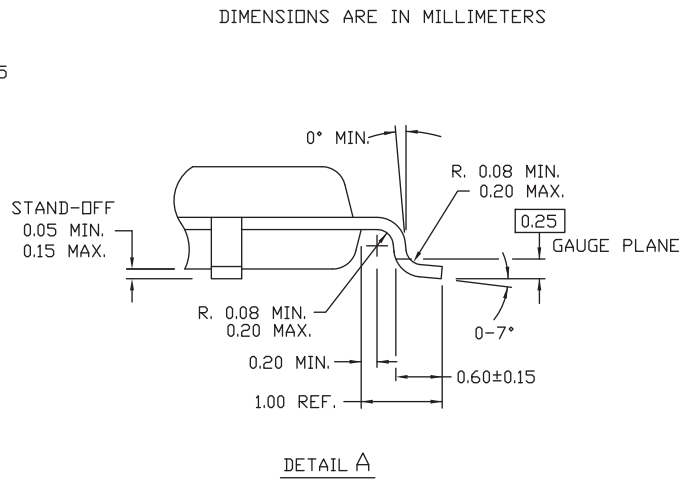
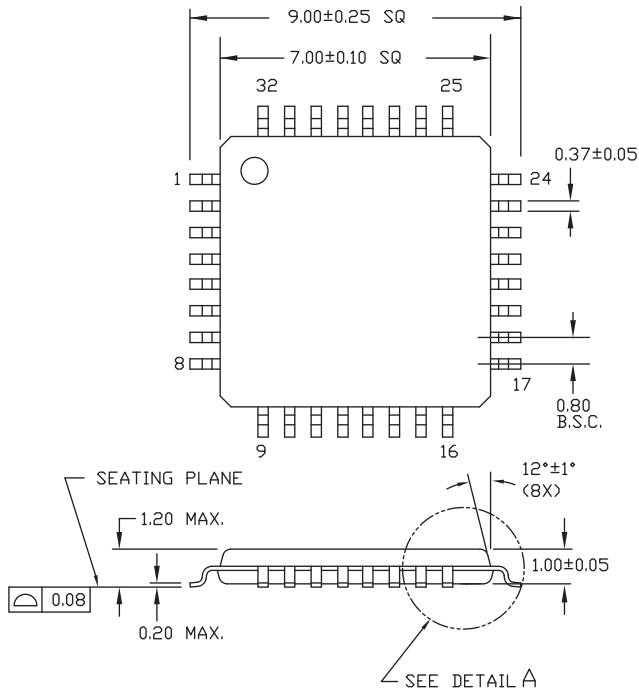
Speed (ns)	Ordering Code	Package Diagram	Package Type	Operating Range
15	CY7C421-15AXC	51-85063	32-pin TQFP (Pb-free)	Commercial
20	CY7C421-20JXC	51-85002	32-pin PLCC (Pb-free)	Commercial
	CY7C421-20VXC	51-85031	28-pin (300 Mils) Molded SOJ (Pb-free)	

Ordering Code Definitions



Package Diagrams

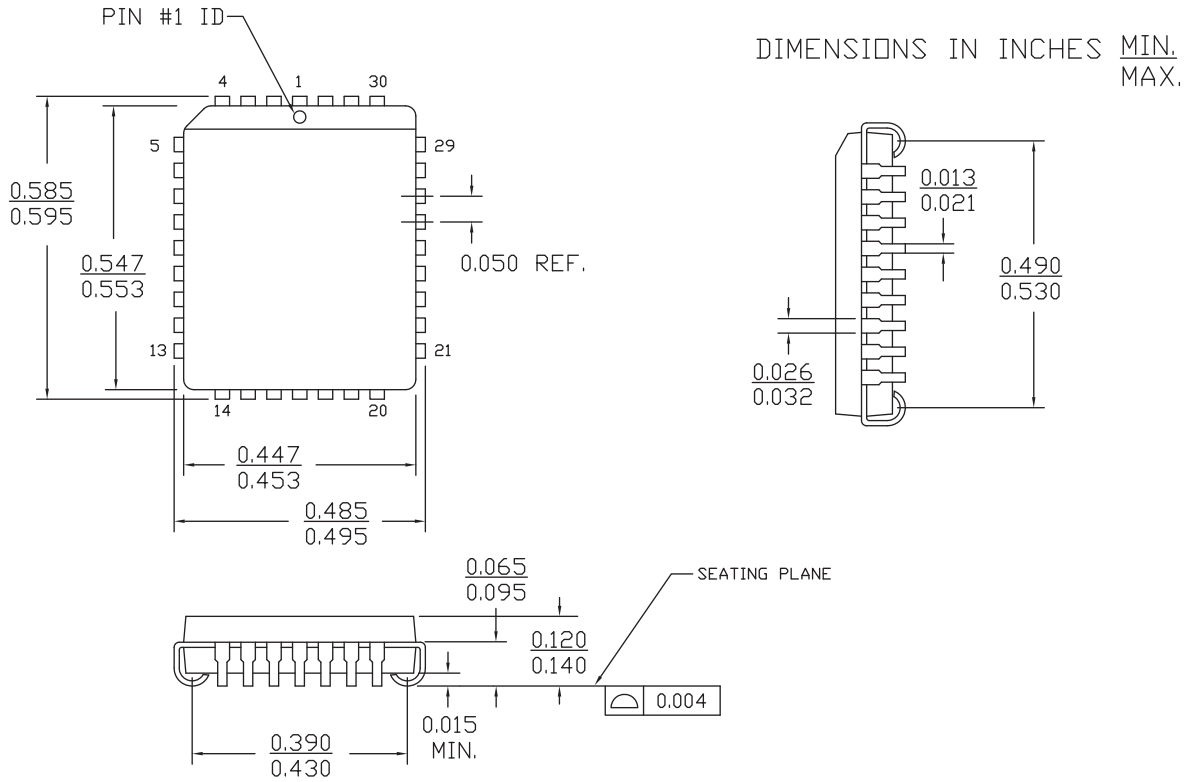
Figure 15. 32-pin TQFP (7 × 7 × 1.0 mm) A3210 Package Outline, 51-85063



51-85063 *E

Package Diagrams (continued)

Figure 16. 32-pin PLCC (0.453 × 0.553 Inches) J32 Package Outline, 51-85002



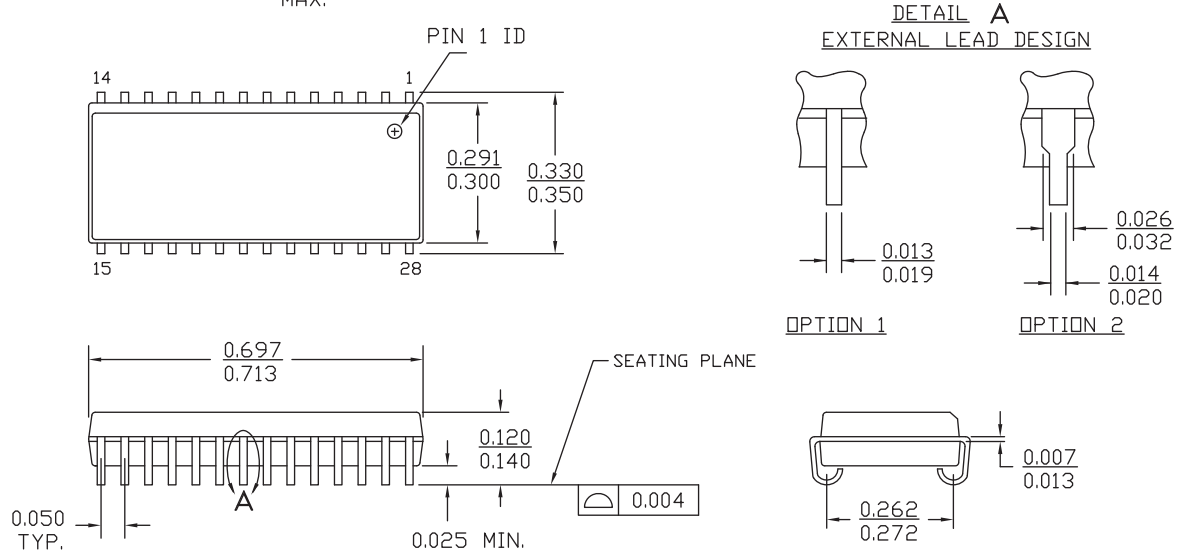
51-85002 *E

Package Diagrams (continued)

Figure 17. 28-pin SOJ (300 Mils) V28.3 (Molded SOJ V21) Package Outline, 51-85031

NOTE :

1. JEDEC STD REF MO088
2. BODY LENGTH DIMENSION DOES NOT INCLUDE MOLD PROTRUSION/END FLASH
MOLD PROTRUSION/END FLASH SHALL NOT EXCEED 0.006 in (0.152 mm) PER SIDE
3. DIMENSIONS IN INCHES MIN.
MAX.



51-85031 *F

Acronyms

Acronym	Description
DIP	Dual In-line Package
FIFO	First-In First-Out
I/O	Input/Output
LCC	Leadless Chip Carrier
PLCC	Plastic Leaded Chip Carrier
RAM	Random Access Memory
SOJ	Small Outline J-lead
TQFP	Thin Quad Flat Pack
TTL	Transistor-Transistor Logic

Document Conventions

Units of Measure

Symbol	Unit of Measure
°C	degree Celsius
MHz	megahertz
μA	microampere
mA	milliampere
mm	millimeter
mV	millivolt
ns	nanosecond
%	percent
pF	picofarad
V	volt
W	watt

Document History Page

Document Title: CY7C421, 512 × 9 Asynchronous FIFO				
Document Number: 38-06001				
Rev.	ECN No.	Orig. of Change	Submission Date	Description of Change
**	106462	SZV	07/11/01	Change from Spec Number: 38-00079 to 38-06001
*A	122332	RBI	12/30/02	Updated Maximum Ratings : Added Note 1 and referred the same note in “maximum ratings”.
*B	383597	PCX	See ECN	Added Pb-Free Logo. Updated Ordering Information (Added the following MPNs: CY7C419-10JXC, CY7C419-15JXC, CY7C419-15VXC, CY7C421-10JXC, CY7C421-15AXC, CY7C421-20JXC, CY7C421-20VXC, CY7C425-10AXC, CY7C425-10JXC, CY7C425-15JXC, CY7C425-20JXC, CY7C425-20VXC, CY7C429-10AXC, CY7C429-15JXC, CY7C429-20JXC, CY7C433-10AXC, CY7C433-10JXC, CY7C433-15JXC, CY7C433-20AXC, CY7C433-20JXC).
*C	2623658	VKN / PYRS	12/17/08	Removed 26-pin CerDIP, 32-pin RLCC, 28-pin molded DIP packages related information in all instances across the document. Removed Military Temperature Range related Information in all instances across the document. Updated Ordering Information (Added MPN CY7C421-20JXI, removed MPNs CY7C419/25/29/33).
*D	2714768	VKN / AESA	06/04/2009	Updated Logic Block Diagram . Updated Pin Configurations . Updated Package Diagrams .
*E	2896039	RAME	03/19/2010	Added Contents. Updated Ordering Information (Removed inactive parts from the data sheet). Updated Package Diagrams . Updated Sales, Solutions, and Legal Information (Updated links).
*F	3110157	ADMU	12/14/2010	Added Ordering Code Definitions under Ordering Information .
*G	3324980	ADMU	07/26/2011	Updated title to read as “CY7C421, 512 × 9 Asynchronous FIFO”. Updated Features . Updated Functional Description (Removed CY7C420/424/425/428/429/432/433 related information). Updated Selection Guide (Removed -10, -25, -30, -40 and -65 speed bins related information). Updated Electrical Characteristics (Removed -10, -25, -30, -40 and -65 speed bins related information). Updated Switching Characteristics (Removed -10, -25, -30, -40 and -65 speed bins related information). Updated Architecture (Removed CY7C420/424/425/428/429/432/433 related information). Updated Package Diagrams . Added Acronyms and Units of Measure . Updated to new template.
*H	3697624	SMCH	08/07/2012	Added Pin Definitions . Updated Architecture (Updated Reading Data from the FIFO (Updated description)).
*I	4082890	SMCH	07/31/2013	Updated Ordering Information (Updated part numbers). Updated to new template. Completing Sunset Review.
*J	4581652	SMCH	11/26/2014	Updated Functional Description : Added “For a complete list of related documentation, click here .” at the end.

Document History Page (continued)

Document Title: CY7C421, 512 × 9 Asynchronous FIFO				
Document Number: 38-06001				
Rev.	ECN No.	Orig. of Change	Submission Date	Description of Change
*K	5436569	NILE	09/14/2016	Updated Package Diagrams : spec 51-85063 – Changed revision from *D to *E. spec 51-85002 – Changed revision from *D to *E. spec 51-85031 – Changed revision from *E to *F. Updated to new template. Completing Sunset Review.

Sales, Solutions, and Legal Information

Worldwide Sales and Design Support

Cypress maintains a worldwide network of offices, solution centers, manufacturer's representatives, and distributors. To find the office closest to you, visit us at [Cypress Locations](#).

Products

ARM® Cortex® Microcontrollers	cypress.com/arm
Automotive	cypress.com/automotive
Clocks & Buffers	cypress.com/clocks
Interface	cypress.com/interface
Internet of Things	cypress.com/iot
Lighting & Power Control	cypress.com/powerpsoc
Memory	cypress.com/memory
PSoC	cypress.com/psoc
Touch Sensing	cypress.com/touch
USB Controllers	cypress.com/usb
Wireless/RF	cypress.com/wireless

PSoC® Solutions

[PSoC 1](#) | [PSoC 3](#) | [PSoC 4](#) | [PSoC 5LP](#)

Cypress Developer Community

[Forums](#) | [Projects](#) | [Video](#) | [Blogs](#) | [Training](#) | [Components](#)

Technical Support

cypress.com/support

© Cypress Semiconductor Corporation, 2001-2016. This document is the property of Cypress Semiconductor Corporation and its subsidiaries, including Spansion LLC ("Cypress"). This document, including any software or firmware included or referenced in this document ("Software"), is owned by Cypress under the intellectual property laws and treaties of the United States and other countries worldwide. Cypress reserves all rights under such laws and treaties and does not, except as specifically stated in this paragraph, grant any license under its patents, copyrights, trademarks, or other intellectual property rights. If the Software is not accompanied by a license agreement and you do not otherwise have a written agreement with Cypress governing the use of the Software, then Cypress hereby grants you a personal, non-exclusive, nontransferable license (without the right to sublicense) (1) under its copyright rights in the Software (a) for Software provided in source code form, to modify and reproduce the Software solely for use with Cypress hardware products, only internally within your organization, and (b) to distribute the Software in binary code form externally to end users (either directly or indirectly through resellers and distributors), solely for use on Cypress hardware product units, and (2) under those claims of Cypress's patents that are infringed by the Software (as provided by Cypress, unmodified) to make, use, distribute, and import the Software solely for use with Cypress hardware products. Any other use, reproduction, modification, translation, or compilation of the Software is prohibited.

TO THE EXTENT PERMITTED BY APPLICABLE LAW, CYPRESS MAKES NO WARRANTY OF ANY KIND, EXPRESS OR IMPLIED, WITH REGARD TO THIS DOCUMENT OR ANY SOFTWARE OR ACCOMPANYING HARDWARE, INCLUDING, BUT NOT LIMITED TO, THE IMPLIED WARRANTIES OF MERCHANTABILITY AND FITNESS FOR A PARTICULAR PURPOSE. To the extent permitted by applicable law, Cypress reserves the right to make changes to this document without further notice. Cypress does not assume any liability arising out of the application or use of any product or circuit described in this document. Any information provided in this document, including any sample design information or programming code, is provided only for reference purposes. It is the responsibility of the user of this document to properly design, program, and test the functionality and safety of any application made of this information and any resulting product. Cypress products are not designed, intended, or authorized for use as critical components in systems designed or intended for the operation of weapons, weapons systems, nuclear installations, life-support devices or systems, other medical devices or systems (including resuscitation equipment and surgical implants), pollution control or hazardous substances management, or other uses where the failure of the device or system could cause personal injury, death, or property damage ("Unintended Uses"). A critical component is any component of a device or system whose failure to perform can be reasonably expected to cause the failure of the device or system, or to affect its safety or effectiveness. Cypress is not liable, in whole or in part, and you shall and hereby do release Cypress from any claim, damage, or other liability arising from or related to all Unintended Uses of Cypress products. You shall indemnify and hold Cypress harmless from and against all claims, costs, damages, and other liabilities, including claims for personal injury or death, arising from or related to any Unintended Uses of Cypress products.

Cypress, the Cypress logo, Spansion, the Spansion logo, and combinations thereof, WICED, PSoC, CapSense, EZ-USB, F-RAM, and Traveo are trademarks or registered trademarks of Cypress in the United States and other countries. For a more complete list of Cypress trademarks, visit cypress.com. Other names and brands may be claimed as property of their respective owners.