

REV. B	SHEETS 1 OF 2	DOCUMENT NO. CF-170900-EXX
REVISIONS M		
LTR	DESCRIPTION	DATE
A	INITIAL RELEASE	06/19/19
B	(CL 1) SEE ECN D3441	07/13/21

DOCUMENT NO. CF-170900-EXX

SHEET 1 OF 2

REV. B

C

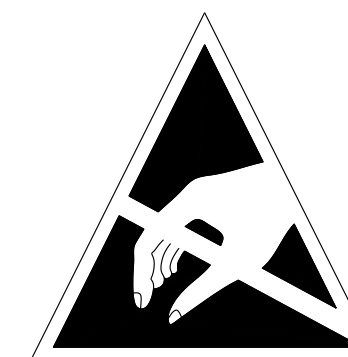
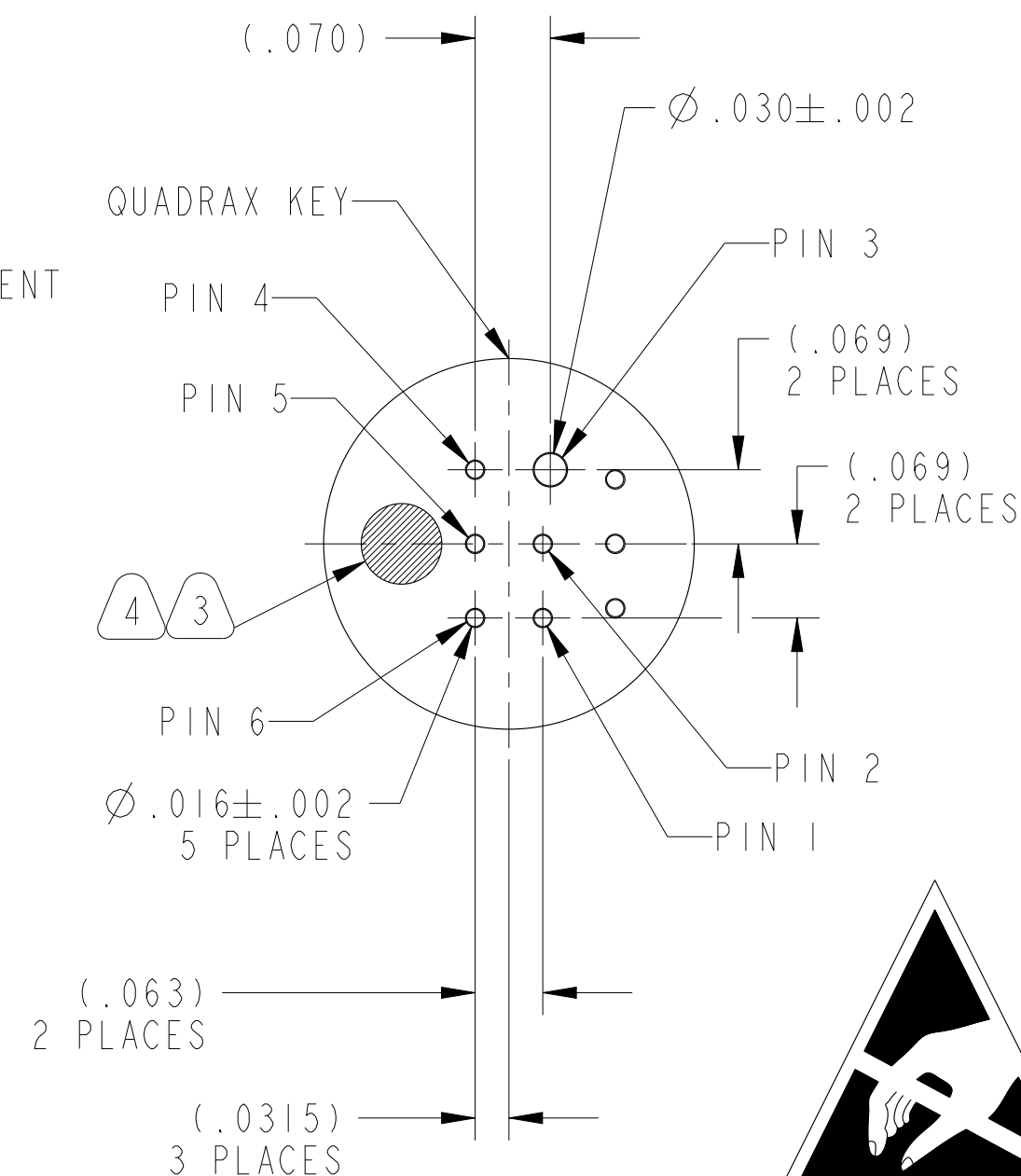
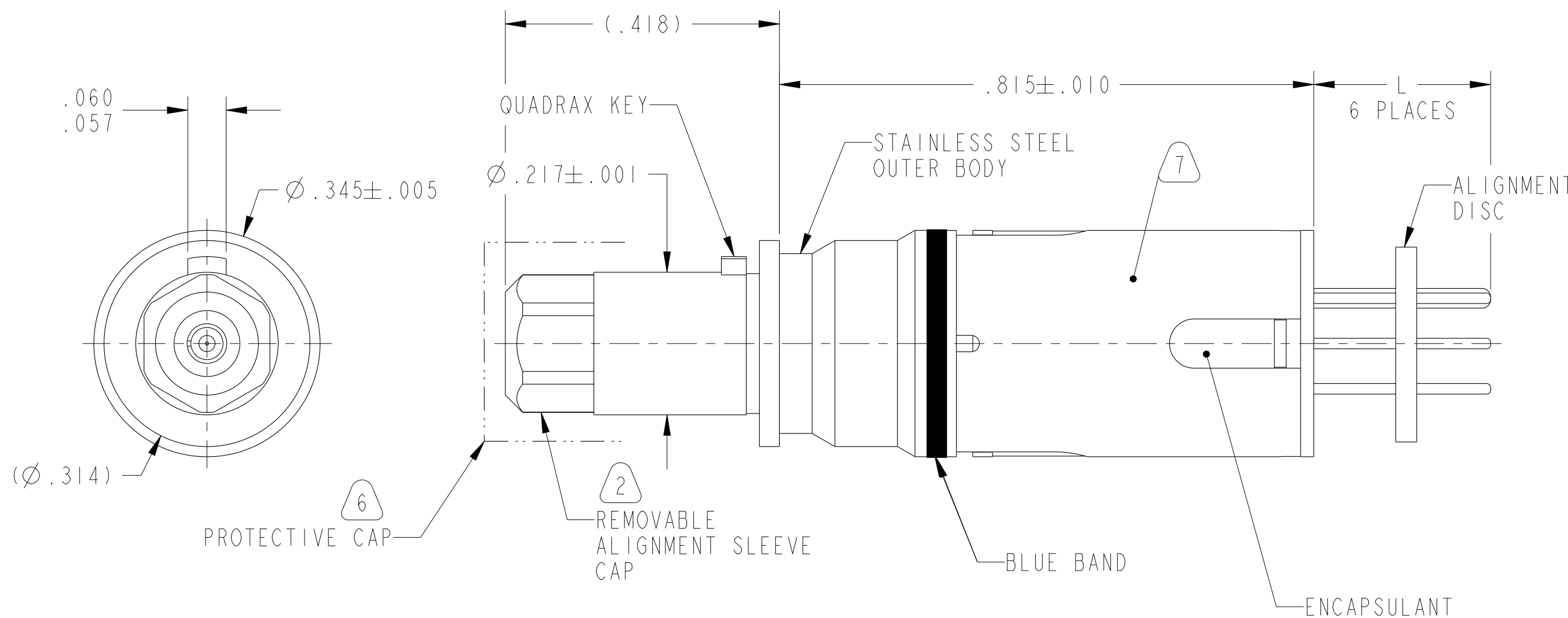
B

A

FORMAT: C-U-E-I

PART NUMBER	L ±.015
CF-170900-E01	.333
CF-170900-E02	.270
CF-170900-E03	.158

TOSA CONTACT I/O CHART	
PIN ID	FUNCTION
1	DISABLE
2	3.3VDC
3	GND
4	FAULT
5	INPUT-
6	INPUT+



**ATTENTION**  
OBSERVE PRECAUTIONS  
FOR HANDLING  
ELECTROSTATIC  
SENSITIVE  
DEVICES

SEE SHEET 2

NOTES:

THE USE OF THIS DOCUMENT IS UNLIMITED. HOWEVER, DOCUMENTS REFERENCED HEREON MAY CONTAIN LIMITED RIGHTS DATA.

CF-020012-035X  
NEXT ASSEMBLY

PRO/ENGINEER INFORMATION  
Pro/e Model Used:  
CF-170900-EXX.ASSEM  
Drawing Name:  
CF-170900-EXX

UNLESS OTHERWISE SPECIFIED LINEAR DIMENSIONS ARE IN INCHES TOLERANCES: .XXXX = ±.0005 ANGLES= ±2° .XXX = ±.010 .XX = ±.03 .X = ±.1 DIM. & TOL. PER ASME Y14.5M; DRM PER MIL-STD-31000; OTHER Amphenol Stds. PER 9-3800 LEGENDS: =FLAG NOTE CALL OUT REFERENCE ONLY	SPECIFICATIONS MATERIAL SPEC. NONE PROCESS SPEC. 9-3856-5 9-3895	POS	QTY	PART NUMBER	DESCRIPTION	NOTE
		PARTS LIST				
APPROVALS		DATE		AMPHENOL CORPORATION 40-60 DELAWARE AVENUE SIDNEY, N.Y. 13858		
PREPARED BY W. LEE		19-Jun-19		FIBER QUAD ASSEMBLY SIZE 8 CONTACT, TOSA 850nm MULTIMODE, 10G, VCSEL		
ENGINEER IN CHARGE W. LEE				DOCUMENT NO. CF-170900-EXX		
DESIGN MANAGER J. ROTHROCK				REV. B		
DESIGN ACTIVITY GROUP CI				SCALE: 6.0		
THIRD ANGLE PROJECTION				REF. CF-170900-034		
				SHEET 1 OF 2		

DOCUMENT NO. CF-170900-EXX

SHEET 1 OF 2

REV. B

VERSION 2

REVISION B

Eng. PDM Information For Reference Only

REV. B

SHEET 1 OF 2

DOCUMENT NO. CF-170900-EXX

CF-170900-EXX

SHEET 2 OF 2

REV. B

C

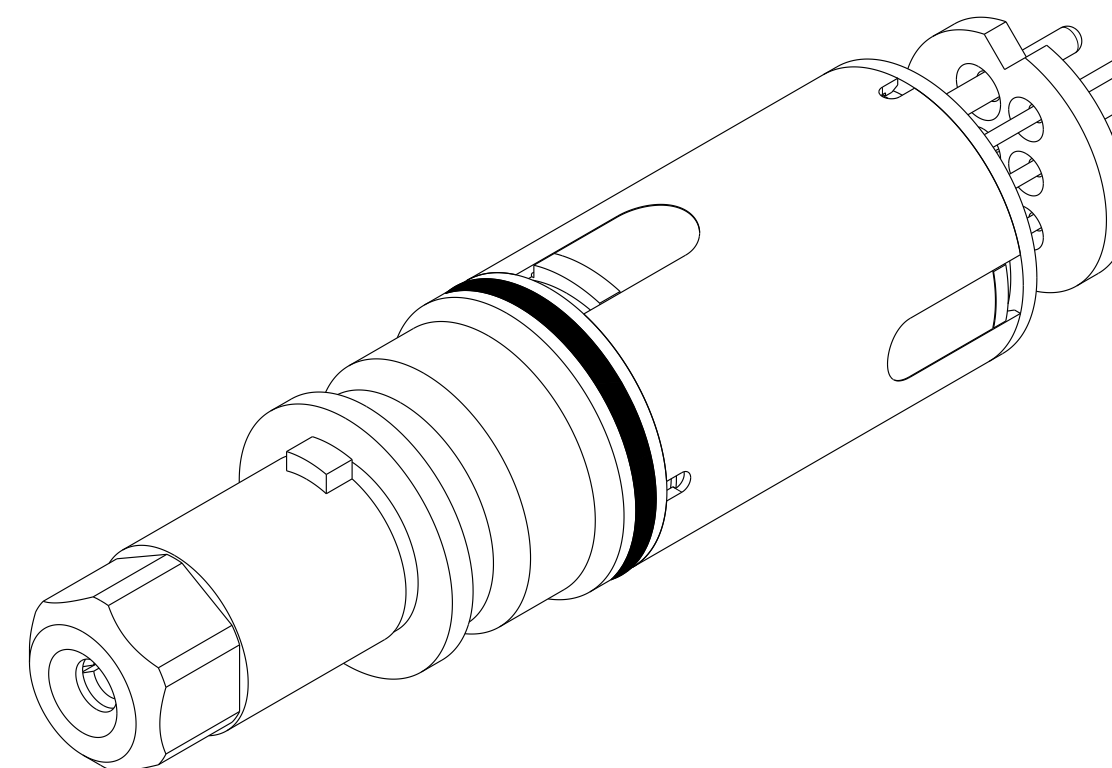
B

A

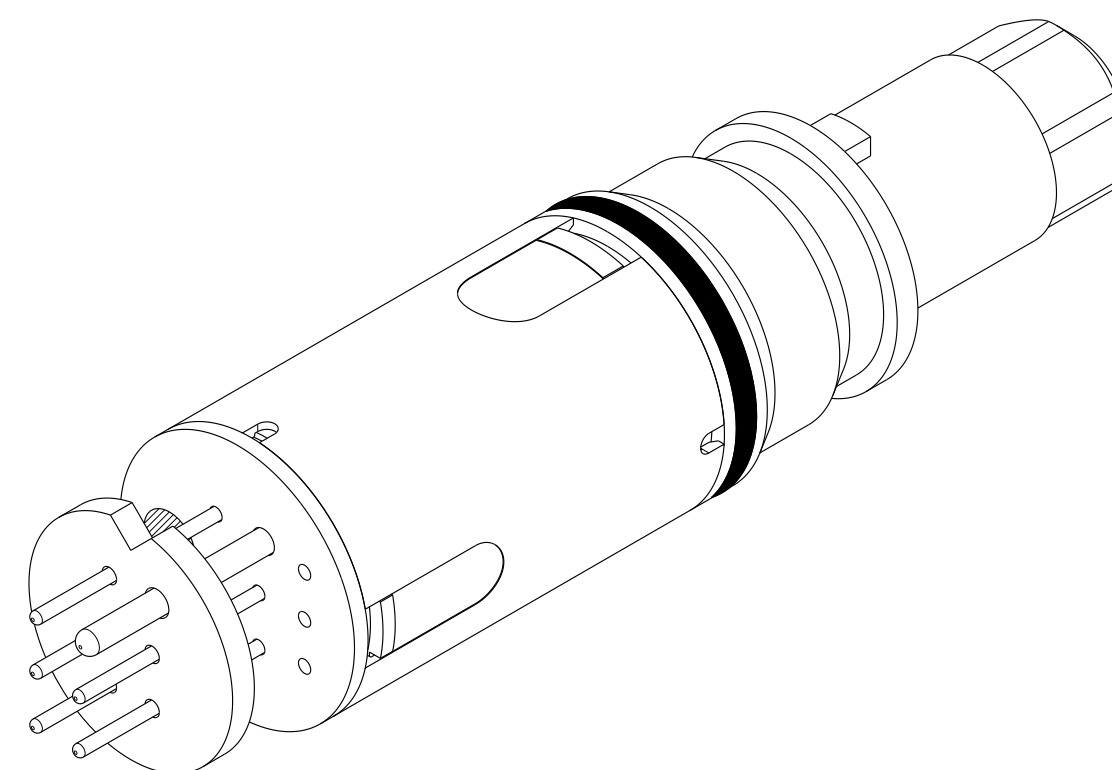
FORMAT: C-0-E-1

**INVISIBLE LASER RADIATION  
DO NOT VIEW DIRECTLY WITH  
OPTICAL INSTRUMENTS  
760 - 1050nm  
CLASS 1 LASER PRODUCT**

**LASER RADIATION  
AVOID EXPOSURE TO BEAM  
CLASS 1 PRODUCT**



**FRONT ISO VIEW**  
SCALE 5.000



**REAR ISO VIEW**  
SCALE 5.000

- 11. FIBER LINES SHALL BE 850nm SIGNAL COMPATIBLE 50/125 GRADED INDEX MULTIMODE FIBER.
- 10. AVERAGE OPTICAL OUTPUT POWER: -5 dBm
- 9. OPERATING TEMPERATURE: -40°C TO 85°C  
STORAGE TEMPERATURE: -40°C TO 85°C
- 8. ASSEMBLY CONTAINS ELECTROSTATIC DISCHARGE (ESD) SENSITIVE COMPONENTS. ASSEMBLY SHALL BE HANDLED, PACKAGED, AND SHIPPED TO MEET REQUIREMENTS OF ANSI/ESD-S-20.20 AND IPC-610.
- 7. STAMP "AMPHENOL", PART NUMBER, DATE CODE & LOT NO.(9-3895) ON INDICATED SURFACE WITH CONTRASTING COLOR PER 9-3856-5.
- 6. PROTECTIVE CAP SHALL BE INSTALLED PRIOR TO SHIPPING.
- 5. PACKAGE PER PRODUCTION PROCESS SHEET.
- 4. BLUE INK STAMP  $\varnothing.075 \pm .025$  DOT PER 9-3856-5 APPROXIMATELY ON INDICATED LOCATION.
- 3. BLUE DOT DENOTES 10G 850nm MULTIMODE TOSA W/ VCSEL LIGHT SOURCE.
- 2. IF ALIGNMENT SLEEVE CAP IS REMOVED FOR CLEANING, TO RE-INSTALL TORQUE TO 22-25 IN-LB (352-400 IN-OZ).
- 1. CONTACT FITS IN STANDARD 38999 SERIES III QUADRAX CAVITIES.

**NOTES:**

THE USE OF THIS DOCUMENT IS UNLIMITED. HOWEVER, DOCUMENTS REFERENCED HEREON MAY CONTAIN LIMITED RIGHTS DATA.

DOCUMENT NO. CF-170900-EXX  
 SHEET 2 OF 2  
 REV. B  
 Eng PDM Information For Reference Only  
 REVISION B  
 VERSION 2