

**SC**
**SINGLEMODE FIBER OPTIC CONNECTOR**

Outer plug body and boot: color blue

Series

F728

Packaging

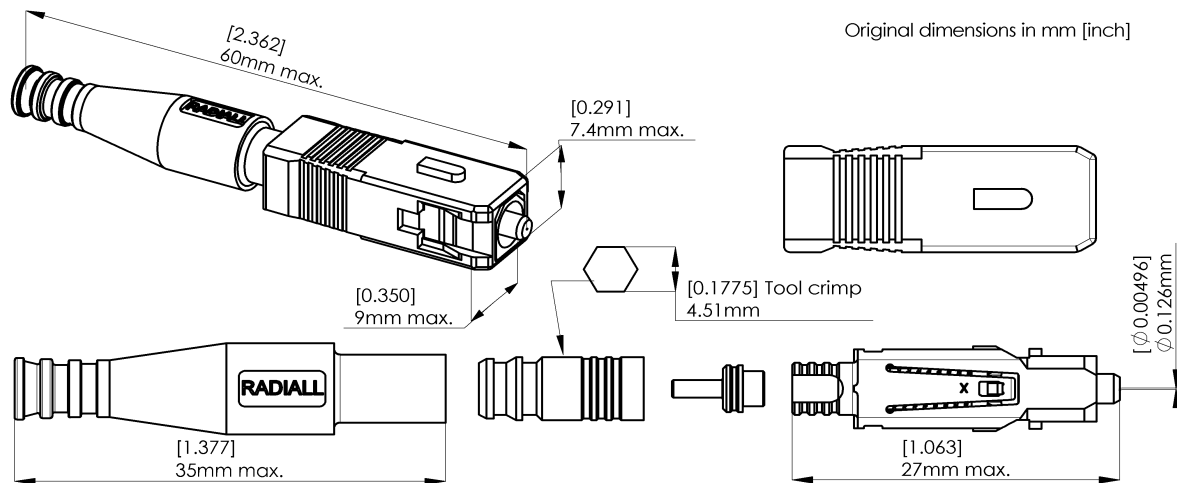
100

Issue

30Dec.10

Page

1/1


**GENERAL**

**Type** : IEC 61754-4 type SC  
 Single mode, zirconia ceramic ferrule (20 mm pre-radius)  
 Push-pull latching system, floating ferrule  
 360° tunable (adjustable to 6 positions for optimization of random insertion loss)

**Ferrule size** : 126  $\mu$ m  
**Fiber size** : 9.5 / 125  $\mu$ m, singlemode

**Cable** :  $\phi$  2mm, tight or semi loose structure

**Cabling proc.** : Refer to 503 08 400 (D 6121 oe), assembly instruction manual

**CHARACTERISTICS** (Dependant on fiber or cable construction)

**Optical** : Attenuation at 1310 and 1550 nm, LD

	STD	TUNED (IEC 61300-2-40)	
Mean	< 0.2 dB	< 0.2 dB	(Attenuation plug mated with reference plug IEC 61300-3-4)
Standard deviation	0.14 dB	0.14 dB	
Max	< 0.8 dB, 97%	< 0.6 dB, 99%	(Attenuation of random mated connectors IEC 61300-3-34)
Mean	0.25 dB	0.13 dB	
Repeatability	0.10 dB	0.10 dB	(Maximum loss variation, IEC 61300-2-2)
Return loss	PC > 30 dB	> 30 dB	(Maximum loss variation, IEC 61300-3-6)
	UPC > 50 dB	> 50 dB	

**Mechanical** : Mechanical endurance 500 matings  
 Cable retention 100 N

**Environmental** : Temperature range (storage/operating) -40 to +85 °C

CREATION						<b>RADIALL</b> <sup>®</sup>
N°:						101, rue P. Hoffmann
PEN/EP: CAT.						93116 ROSNY/BOIS
Name: PB						FRANCE
Date: 11 Aug. 99	30 Dec. 10	Mise à jour performances optiques et mécaniques	SP	HD		Tel : (33) 0149353535
Appr.: LV	Issue	Revisions	Name	Appr.		Fax : (33) 0148546363