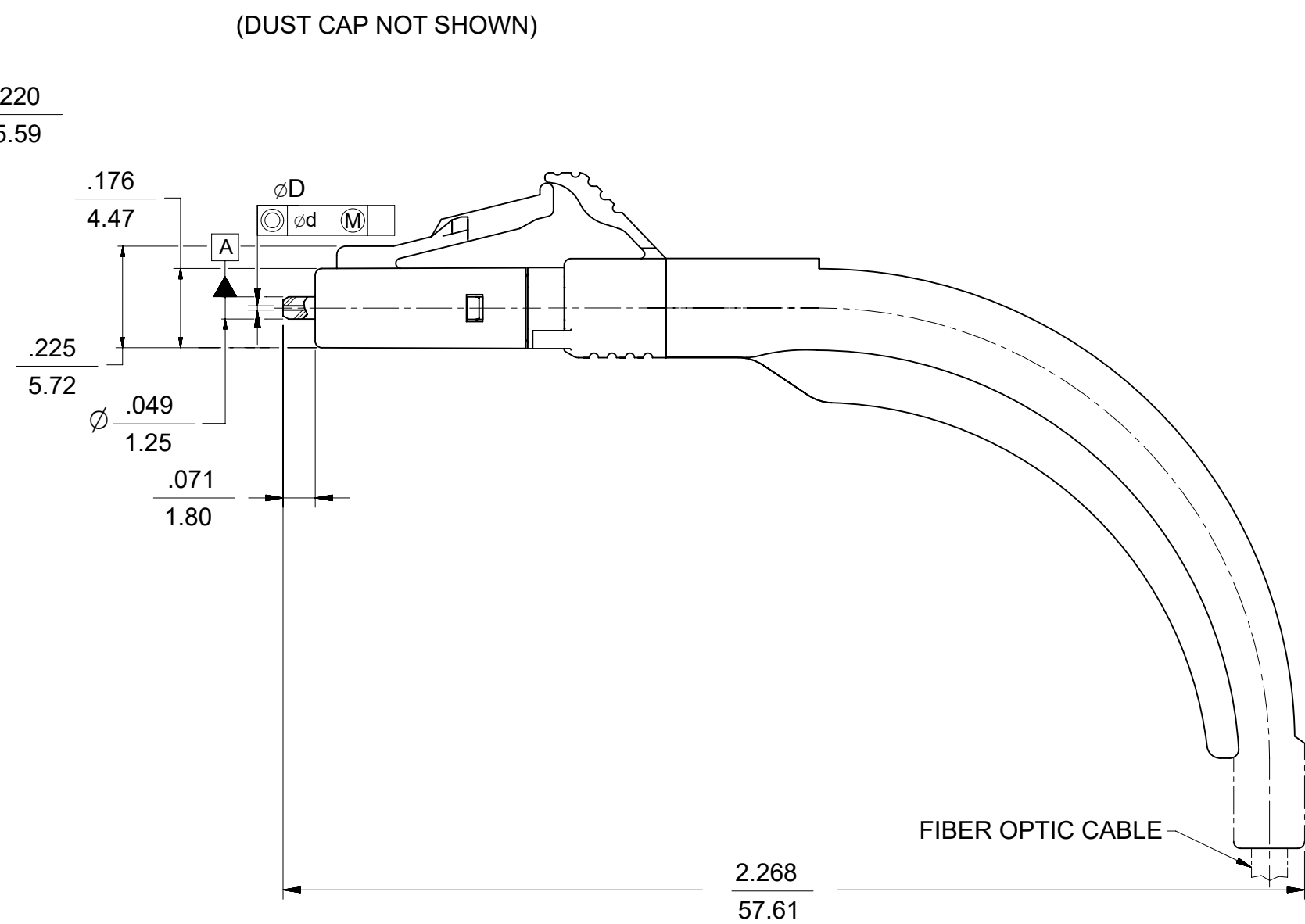
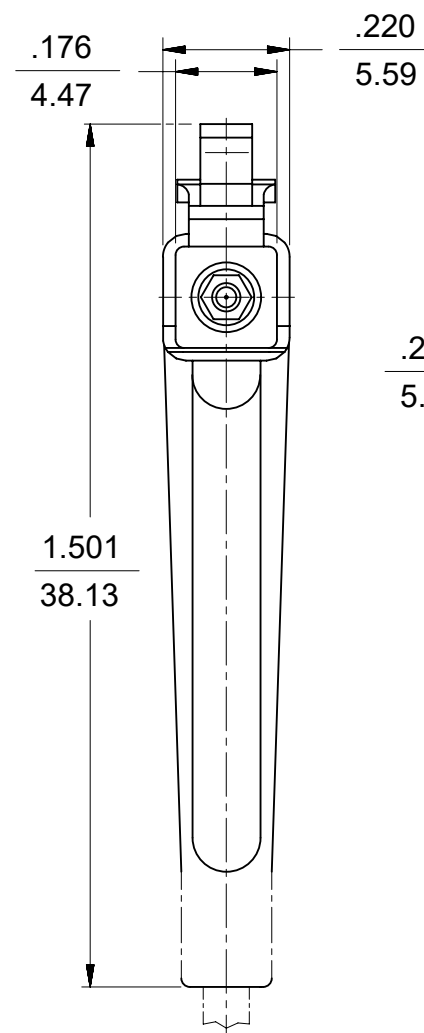


CONNECTOR P/N	∅D (μm)	∅d (μm)	CONNECTOR BODY COLOR	BOOT COLOR	CABLE ∅ (mm)	CABLE TYPE
106024-2400	125.50 ^{+0.50} ₀	1.0	BLUE	WHITE	1.6	SINGLE MODE
106024-3400	127.00 ^{+2.00} ₀	3.0	BEIGE	WHITE	1.6	MULTIMODE
106024-3600				2.0		
106024-3610				BEIGE	2.0	
106024-4400	125.00 ^{+0.50} ₀	1.0		WHITE	1.6	SINGLE MODE
106024-4600				2.0		
106024-5400				1.6		
106024-2610	126.00 ^{+1.00} ₀	1.0		BEIGE	2.0	
106024-5600				WHITE		
106024-5610				YELLOW		
106024-5700				RED		
106024-6400	125.25 ^{+0.50} ₀	0.5	BLUE	WHITE	1.6	
106024-6600					2.0	
106090-4150	125.10-125.50	0.5	BLUE	WHITE	1.6	
106090-4170					2.0	
106090-4180	125.51-125.90	0.5	BLUE	WHITE	1.6	
106090-4190					2.0	
106090-2940	125.50 ^{+0.50} ₀	0.5	BLUE	WHITE	1.6	
106090-2960					2.0	
106090-4140	125.00 ^{+0.50} ₀	0.5	BLUE	WHITE	1.6	
106090-4160					2.0	
106090-6140	125.25 ^{+0.50} ₀	0.5	BLUE	WHITE	1.6	
106090-6160					2.0	
106090-6170					1.6	
106090-6145					2.0	
106090-6165					1.6	
106090-6175					2.0	



THIS DRAWING CONTAINS INFORMATION THAT IS PROPRIETARY TO MOLEX ELECTRONIC TECHNOLOGIES, LLC AND SHOULD NOT BE USED WITHOUT WRITTEN PERMISSION									
DIMENSION UNITS IN/MM		SCALE 4:1		CURRENT REV DESC: OBSOLETE PART NUMBER AS PER PCN#508521			molex		
GENERAL TOLERANCES (UNLESS SPECIFIED)				EC NO: 667392					
		MM	INCH	DRWN: ABHISP1			2021/04/19		
4 PLACES		±	±	CHK'D: GGA			2021/07/05		
3 PLACES		±	±	APPR: GGA			2021/07/05		
2 PLACES		±	±	INITIAL REVISION:			DOCUMENT NUMBER		
1 PLACE		±	±	DRWN: PGIBLIN			SD-1060BB-BBBB		
0 PLACES		±	±	APPR:			PSD 001 C		
ANGULAR TOL ± 0.5 °					THIRD ANGLE PROJECTION		DRAWING		SERIES
DRAFT WHERE APPLICABLE MUST REMAIN WITHIN DIMENSIONS					C-SIZE		106024		MATERIAL NUMBER
							GENERAL MARKET		SHEET NUMBER
							SEE TABLE		1 OF 1

DOCUMENT STATUS	P1	RELEASE DATE	2021/07/05	08:39:13
-----------------	----	--------------	------------	----------